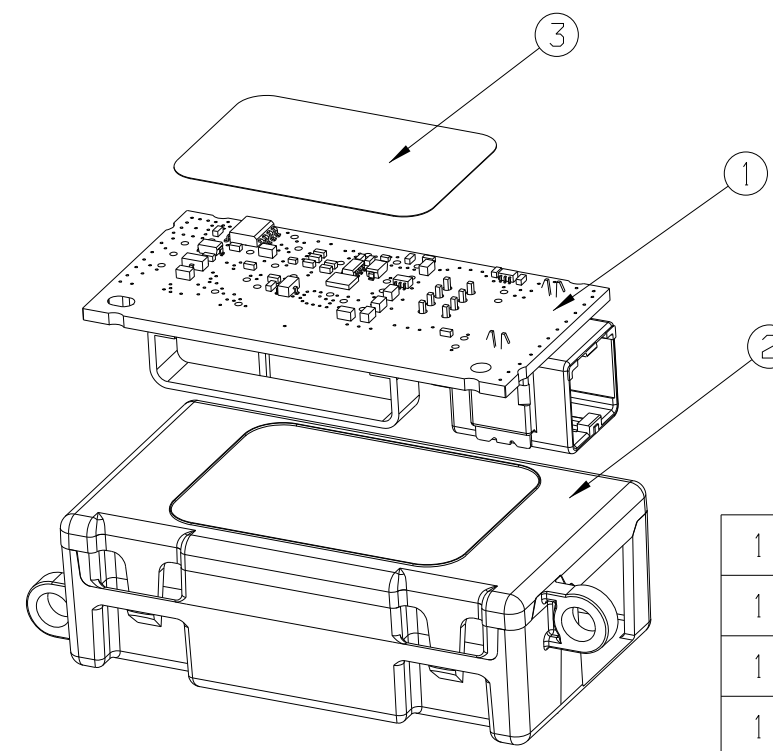


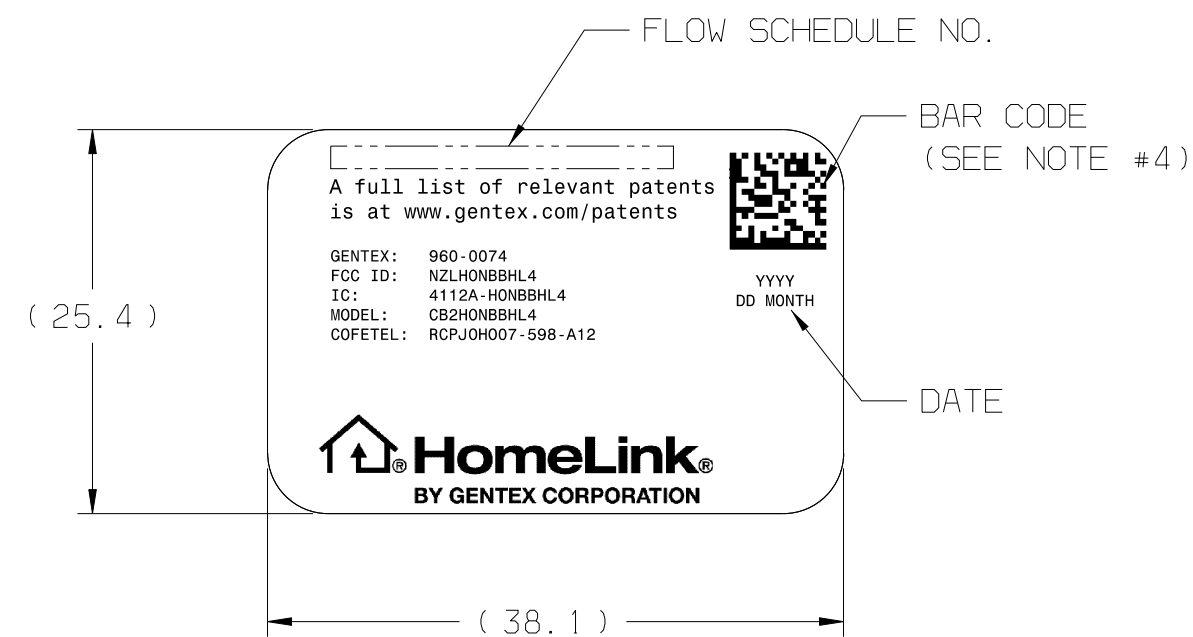
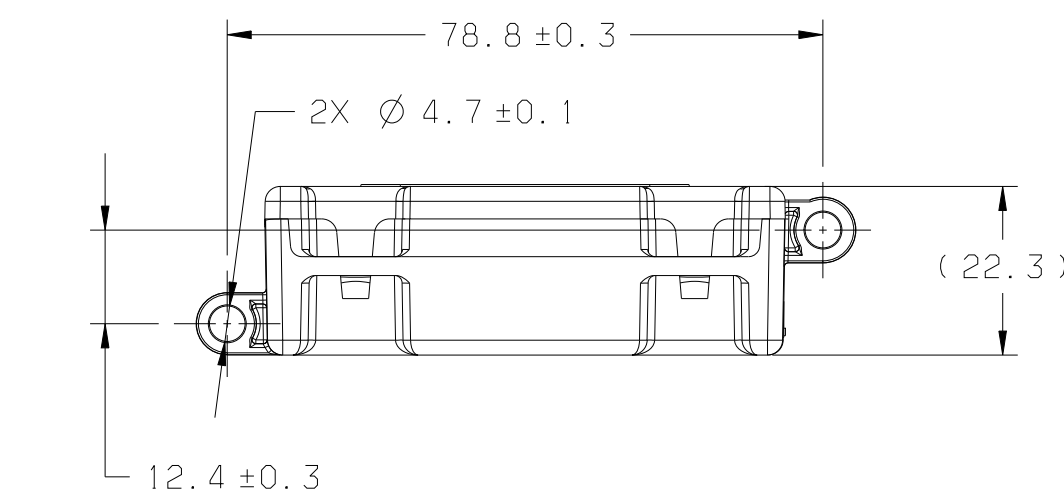
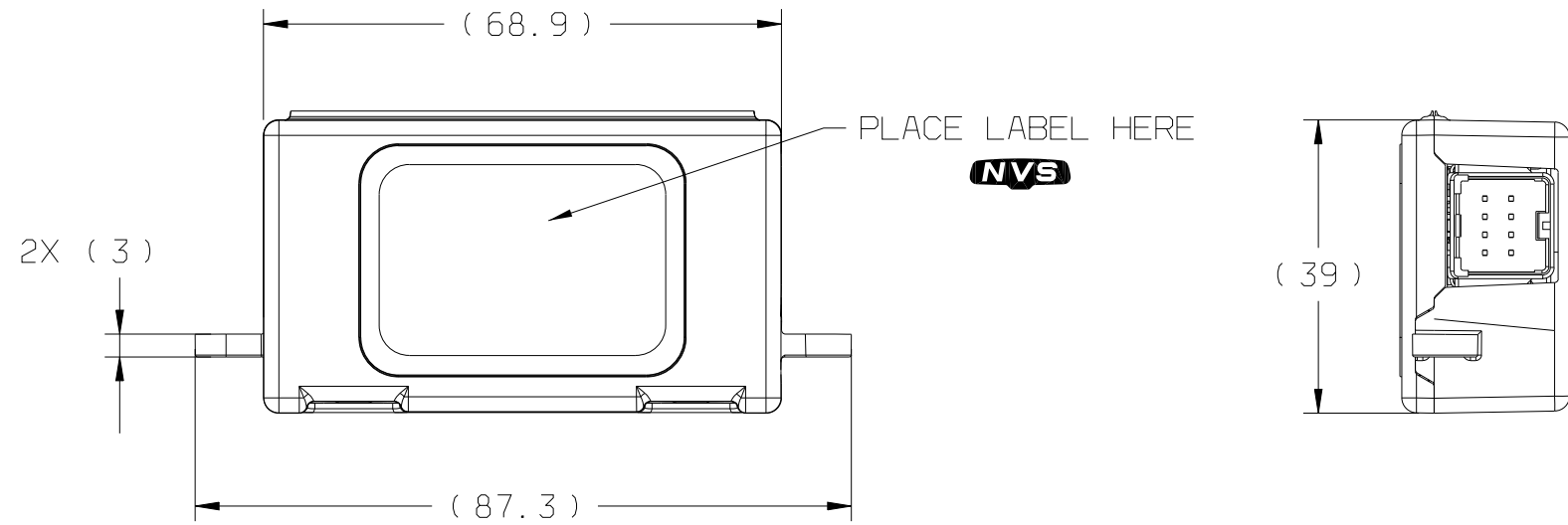
REVISION HISTORY

REV	DESCRIPTION	BY/DATE	ECO NO.	APPROVED
AAA	RELEASE TO PRODUCTION FROM	CDP 12/16/13	-	-



ISOMETRIC REFERENCE VIEW

QTY	ITEM	DESCRIPTION	GENTEX PART NO.
1	4	LABEL, BAR CODE 4X6 (NOT SHOWN)	375-0369-000
1	3	LBL, STOCK 1.0 x 1.5	375-0765-000
1	2	HSG, HMLK TX4 MY12	340-1320-000
1	1	SA PCB, HL4 TX412, HL4 BLAKBX	705-2316-001

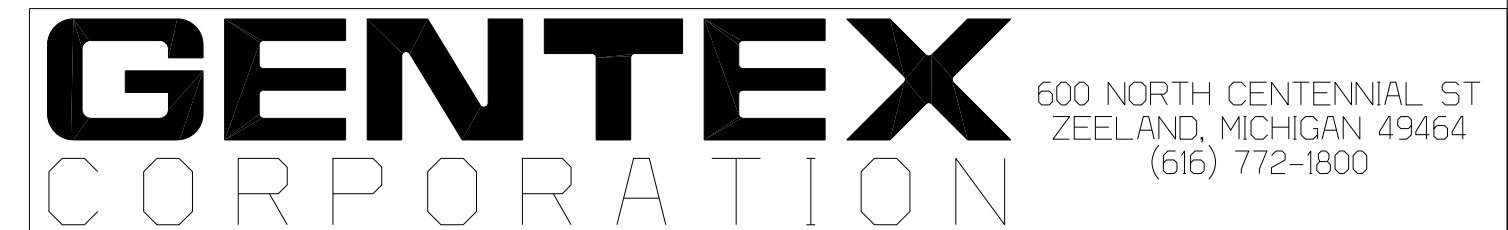


LABEL VIEW
SCALE: 2:1

QTY	ITEM	DESCRIPTION	GENTEX PART NO.
1	4	LABEL, BAR CODE 4X6 (NOT SHOWN)	375-0369-000
1	3	LBL, STOCK 1.0 x 1.5	375-0765-000
1	2	HSG, HMLK TX4 MY12	340-1320-000
1	1	SA PCB, HL4 TX412, HL4 BLAKBX	705-2316-001

NOTES:

- INDIVIDUAL COMPONENTS ON PCB ASSEMBLY ARE FOR REFERENCE ONLY.
- ADHESIVE LABEL FORMAT AND INFORMATION IS TO MATCH AS SHOWN IN THE LABEL VIEW(S) AND BOM.
- ASSEMBLY MUST COMPLY WITH FMVSS 302 & CMVSS 302.
- THE BAR CODE CONTAINS THE FOLLOWING; 'PL' FOLLOWED BY AN 8-DIGIT BAR CODE. AN EXAMPLE IS BELOW; PL12345678



TITLE
FINAL ASM, HONDA TX4 MY12, HMLK4 BLACK BOX

<p>NVS SPECIFIES FEATURES REQUIRING SPECIAL CONSIDERATION. SEE CONTROL PLAN. INTERPRET DIMENSIONS AND TOLERANCE PER ASME Y14.5M - 1994</p>		<p>SIZE D</p>	<p>DWG NO. 960-0074</p>	<p>REV AAA</p>
<p>THIRD ANGLE PROJECTION</p>		<p>MATERIAL SEE COMP DWGS.</p>	<p>MASS (CALCULATED) 28.3 g</p>	<p>DATA FORMAT CATIA V5</p>
<p>SCALE 1:1 & AS NOTED</p>		<p>DATE 12/10/2013</p>	<p>SHEET 1 OF 1</p>	