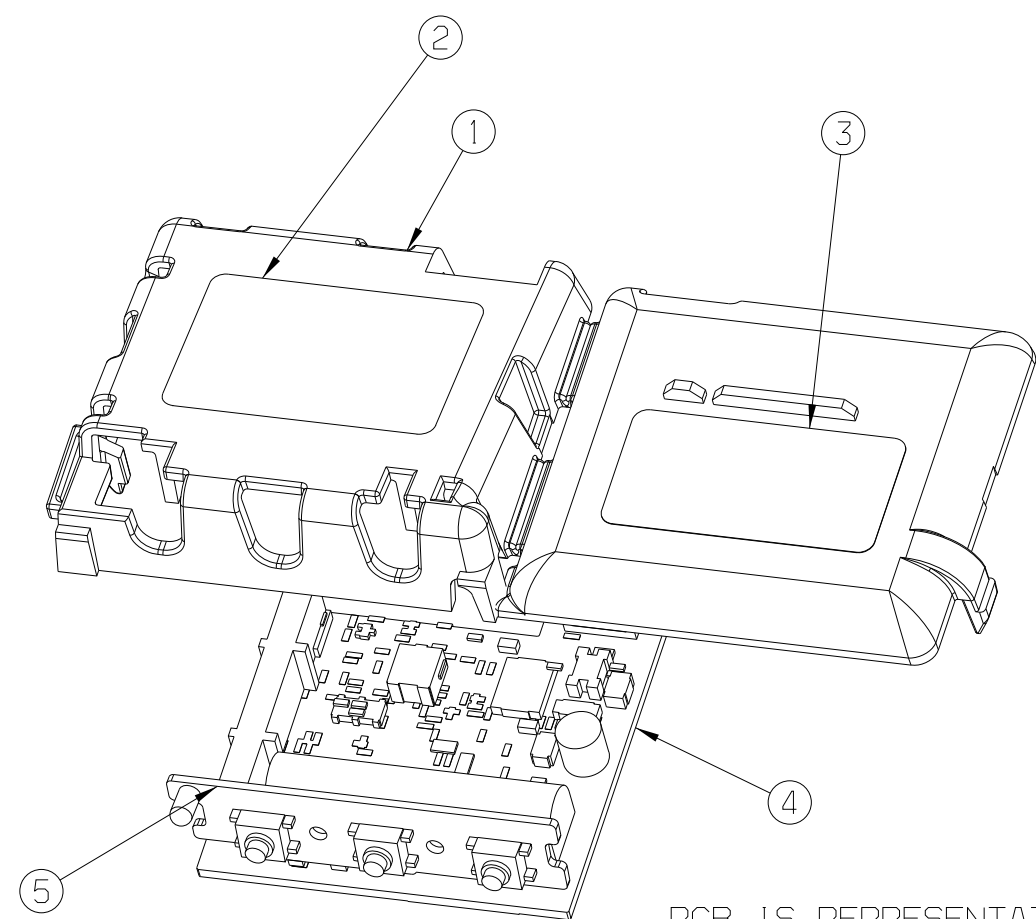


CUSTOMER LABEL - ITEM 3  
SCALE: 2:1  
(LABEL VIEW)



PATENT LABEL - ITEM 2  
SCALE: 2:1



PCB IS REPRESENTATION ONLY  
ACTUAL PCB MAY VARY

ISOMETRIC VIEW

LABEL	BARCODE INFORMATION		
	CHARACTERS	INFORMATION	PRINTED TEXT
CUSTOMER	7	PART NUMBER	"*****"
	1	SEPARATOR	": "
	11	SERIAL NUMBER	"S*****"
PATENT	PLXXXXXXXX (8 DIGIT DECIMAL)		

REVISION HISTORY				
REV	DESCRIPTION	BY/DATE	ECO NO.	APPROVED
001	RELEASE FOR REVIEW	KGJ 07/09/14	---	---

1	5	FLEX SWBD, BMW E46 EURO, PCB ASM	725-0041-000
1	4	ET, SA PCB, US HL3 E60 BMW DONELLY	605-5516-001
1	3	LABEL, HMLK 1.5X0.75 WHITE	375-0905-000
1	2	LABEL, DATE CODE 1X1.5 WHITE	375-0765-000
1	1	HSG ASM, HSG, SAAB, HMLK, W/FOAM	605-XXXX-000
QTY	ITEM	DESCRIPTION	GENTEX PART NO.

NOTES:

- INDIVIDUAL COMPONENTS ON PCB ASSEMBLY ARE FOR REFERENCE ONLY.
- ADHESIVE LABEL FORMAT AND INFORMATION IS TO MATCH AS SHOWN IN THE LABEL VIEW(S) AND BOM.
- THE BAR CODE CONTAINS THE FOLLOWING;  
GENTEX PART NO., THREE DIGITS FOR TESTER AND AN 8-DIGIT SERIAL NO. AN EXAMPLE IS BELOW;  
960006000100012345678
- ASSEMBLY MUST COMPLY TO TEST SPECIFICATION TDE-1770888\_2.
- PART GEOMETRY REPRESENTED ON THIS PRINT IS FOR REFERENCE ONLY. FOR OFFICIAL PART GEOMETRY REFERENCE INDIVIDUAL PART PRINTS.

FINAL ASM, E60 HMLK 11227 BMW DONELLY US	DESCRIPTION
TBD	QUALITY LEVEL
TBD	HARDWARE REVISION
TBD	SOFTWARE REVISION
001	REV
960-0085-001	GENTEX ASSY NO.

**GENTEX CORPORATION**  
600 NORTH CENTENNIAL ST  
ZEELAND, MICHIGAN 49464  
(616) 772-1800

TITLE  
FINAL ASM, E60 HMLK 11227 BMW DONELLY US

<b>NVS</b> SPECIFIES FEATURES REQUIRING SPECIAL CONSIDERATION. SEE CONTROL PLAN. INTERPRET DIMENSIONS AND TOLERANCE PER ASME Y14.5M - 1994		SIZE C	DWG NO. 960-0085-001	REV 001
THIRD ANGLE PROJECTION 		MATERIAL SEE COMP DWGS.		MASS (CALCULATED) 42.2 g
SCALE 1:1 & AS NOTED		DATE 4/16/2014	DRAWN BY K. JONES	
		DATA FORMAT CATIA V5		SHEET 1 OF 1