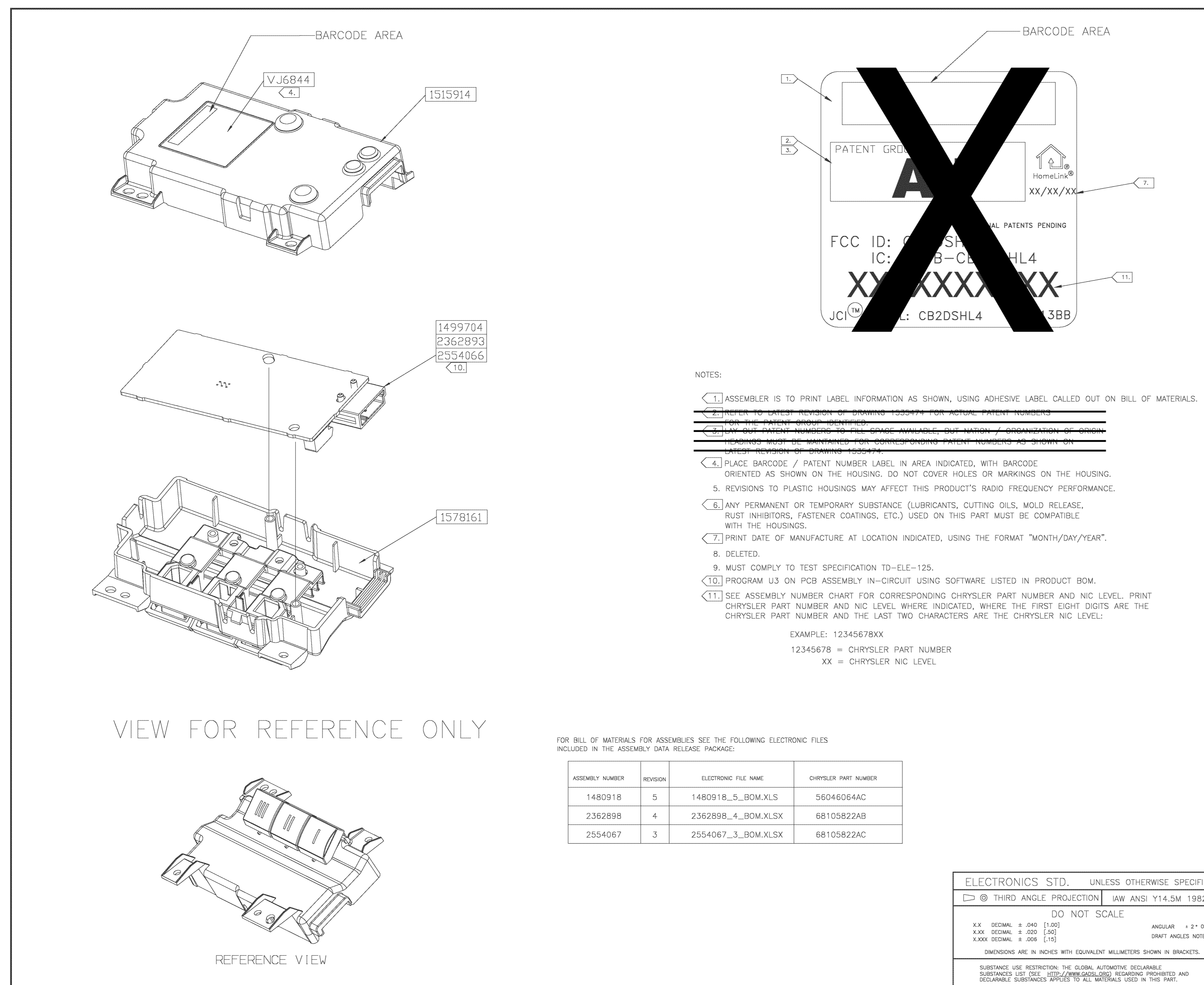


REVISION HISTORY				
REV	DESCRIPTION	BY/DATE	ECO NO.	APPROVED
AAA	RELEASE TO PRODUCTION FROM JCI DWG. 1480918 REV. 11	CDP 1/14/14	CEE4411	-
	PART 1480918 REV. 5			
	PART 2362898 REV. 4			
	PART 2554067 REV. 3			

QTY	QTY	QTY	ITEM	DESCRIPTION	JCI PART NO.	GENTEX PART NO.
	5		5	PCB ASM	2554066	TBD
	5		5	PCB ASM	2362893	??????
	5		5	PCB ASM	1499704	605-5526-001
2	2	4	4	SCR, M3. 5X2. 5X9 TTH PB ZN	VA0405	401-0075-000
+	1	1	3	LBL, STOCK 1.5X1.5	VJ6844	375-0898-000
+	1	1	2	HSG ASM, DS EOM CP HMLK LWR	1578161	625-0882-000
+	1	1	1	HSG, DS EOM COMP HMLK UPR	1515914	340-1334-000

68105822AB	68105822AB	56045064AC	JCI PART NO. CUSTOMER PART NO.
1480918	1480918	1480918	JCI DRAWING NO.
2554067	2362898	1480918	JCI PART NO.
FINAL ASM, CHRYSLER DS EOM COMP/HMLK	FINAL ASM, CHRYSLER DS EOM COMP/HMLK	FINAL ASM, CHRYSLER DS EOM COMP/HMLK	JCI DESCRIPTION
960-0167	960-0164		GENTEX PART NO. REV.

\*\*PRELIMINARY\*\*



- NOTES:
- ASSEMBLER IS TO PRINT LABEL INFORMATION AS SHOWN, USING ADHESIVE LABEL CALLED OUT ON BILL OF MATERIALS.
  - REFER TO LATEST REVISION OF DRAWING 1555474 FOR ACTUAL PATENT NUMBERS.
  - LAY OUT PATENT NUMBERS TO FIT SPACE AVAILABLE, BUT NATION / ORGANIZATION OF ORIGIN HEADINGS MUST BE MAINTAINED FOR CORRESPONDING PATENT NUMBERS AS SHOWN ON LATEST REVISION OF DRAWING 1555474.
  - PLACE BARCODE / PATENT NUMBER LABEL IN AREA INDICATED, WITH BARCODE ORIENTED AS SHOWN ON THE HOUSING. DO NOT COVER HOLES OR MARKINGS ON THE HOUSING.
  - REVISIONS TO PLASTIC HOUSINGS MAY AFFECT THIS PRODUCT'S RADIO FREQUENCY PERFORMANCE.
  - ANY PERMANENT OR TEMPORARY SUBSTANCE (LUBRICANTS, CUTTING OILS, MOLD RELEASE, RUST INHIBITORS, FASTENER COATINGS, ETC.) USED ON THIS PART MUST BE COMPATIBLE WITH THE HOUSINGS.
  - PRINT DATE OF MANUFACTURE AT LOCATION INDICATED, USING THE FORMAT "MONTH/DAY/YEAR".
  - DELETED.
  - MUST COMPLY TO TEST SPECIFICATION TD-ELE-125.
  - PROGRAM U3 ON PCB ASSEMBLY IN-CIRCUIT USING SOFTWARE LISTED IN PRODUCT BOM.
  - SEE ASSEMBLY NUMBER CHART FOR CORRESPONDING CHRYSLER PART NUMBER AND NIC LEVEL. PRINT CHRYSLER PART NUMBER AND NIC LEVEL WHERE INDICATED, WHERE THE FIRST EIGHT DIGITS ARE THE CHRYSLER PART NUMBER AND THE LAST TWO CHARACTERS ARE THE CHRYSLER NIC LEVEL.
- EXAMPLE: 12345678XX  
12345678 = CHRYSLER PART NUMBER  
XX = CHRYSLER NIC LEVEL

REV	BY	DESCRIPTION	P.C.N.	BT	DATE	BY
A		RELEASE FOR PROTOTYPE	2128774	BS	12SEP06	EDCT
B		REVISED AND REDRAWN	2411808	BS	13OEC06	EDCT
C		1515914-2 WAS 1515914-1 (2)	2435666	BS	17JUL07	EDCT
1		REVISE BOM FOR HOUSING AND PCB ASM UPREV, NEW HOUSING #, NEW S/W #	2703512	HP	24JUL07	EDCT
2		REVISE CHRYSLER # ON LABEL (4) NEW ASSEMBLY VIEW TO REFLECT HOUSING CHANGE				
2		RELEASE FOR PRODUCTION	2927226	BS	16JAN08	EDCT
2		REVISE BOM FOR PCB ASM UPREV AND NEW S/W #				
2		REVISE LABEL MARKINGS				
2		REV NOTE 4				
2		REV ASM VIEW TO INCLUDE LABEL ORIENTATION				
2		ADD NOTE 11				
3		REVISE BOM FOR PCB ASM UPREV REVISED AND REDRAWN	3119000	BS	05JUN08	EDCT
4		REVISE BOM FOR S/W CHANGE	3216889	BS	04AUG08	EDCT
4		DELETE NOTE 8				
5		ADD ASSEMBLY 2362898	5380144	BS	27OCT11	EDCT
5		REVISE ASSEMBLY CHART TO ADD CHRYSLER PART NUMBERS				
5		REVISE NOTE 11				
6		REVISE ASSEMBLY 2362898 FOR BOM CHANGE (SOFTWARE)	5731825	BS	24APR12	EDCT
6		CHANGE CORRESPONDING CHRYSLER PART NUMBER (AS WAS AA)				
7		ADD ASSEMBLY 2554067	6234655	SS	11JAN13	EDCT
8		REVISE ASSEMBLY 2554067 DUE TO REVISED PCB ASSEMBLY	6283653	BS	07FEB13	EDCT
9		REVISE ASSEMBLIES 2554067 AND 2362898 FOR SW CHANGE	6347864	BS	22MAR13	EDCT
10		DRAWING CHANGE ONLY	6408332	BS	15APR13	EDCT
10		REVISE ASSEMBLY TABLE TO ADD CHRYSLER PART NUMBER FOR ASSEMBLY 2554067				
11		REVISE ASSEMBLIES 1480918 AND 2362898 FOR SW CHANGE	6518122	BS	16JUL13	EDCT

JOHNSON CONTROLS AUTOMOTIVE SYSTEM GROUP INTERIORS

ELECTRONIC ASSEMBLY

NAME: BRET SUNNERVILLE DATE: 12SEP06

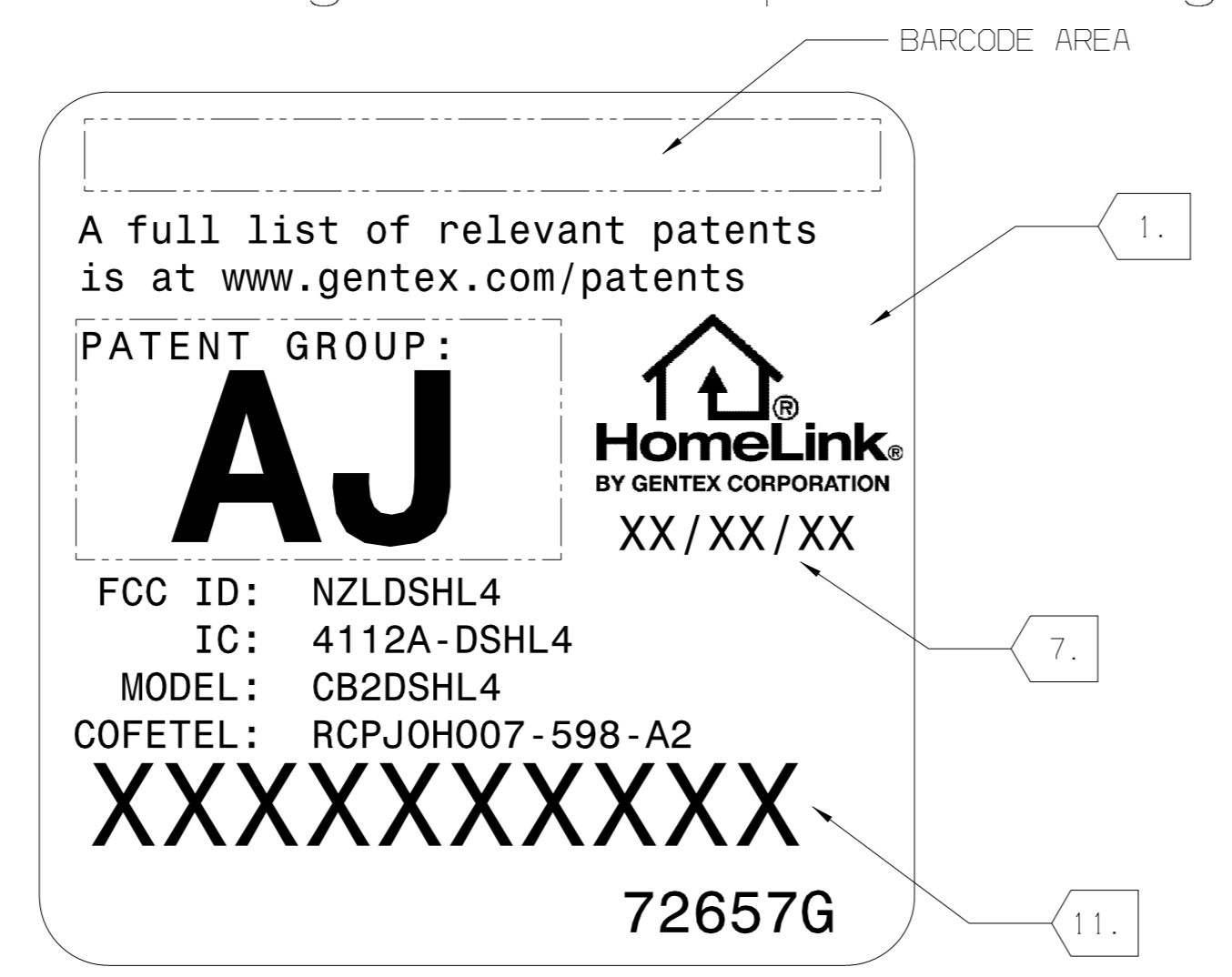
CHG: KEITH VANLIERE DATE: 12SEP06

ENGR APPR: THOMAS KLAVER DATE: 12SEP06

SCALE: NONE SHEET 1 OF 1

SIZE: D DWG NO. 1480918

DATA FORMAT: ACAD



LABEL VIEW SCALE: 4:1

**GENTEX CORPORATION** 600 NORTH CENTENNIAL ST ZEELAND, MICHIGAN 49464 (616) 772-1800

TITLE: FINAL ASM, CHRYSLER DS EOM COMP/HMLK

NSI SPECIFIES FEATURES REQUIRING SPECIAL CONSIDERATION. SEE CONTROL PLAN. INTERPRET DIMENSIONS AND TOLERANCE PER ASME Y14.5M - 1994

THIRD ANGLE PROJECTION

SIZE	DWG NO.	REV
D	960-S	AAA
MATERIAL	SEE DWG.	MASS (CALCULATED)
		na
DRAWN BY	CPOLLACK	DATA FORMAT
		CATIA V5
SCALE	DATE	SHEET
na	1/14/14	1 OF 1