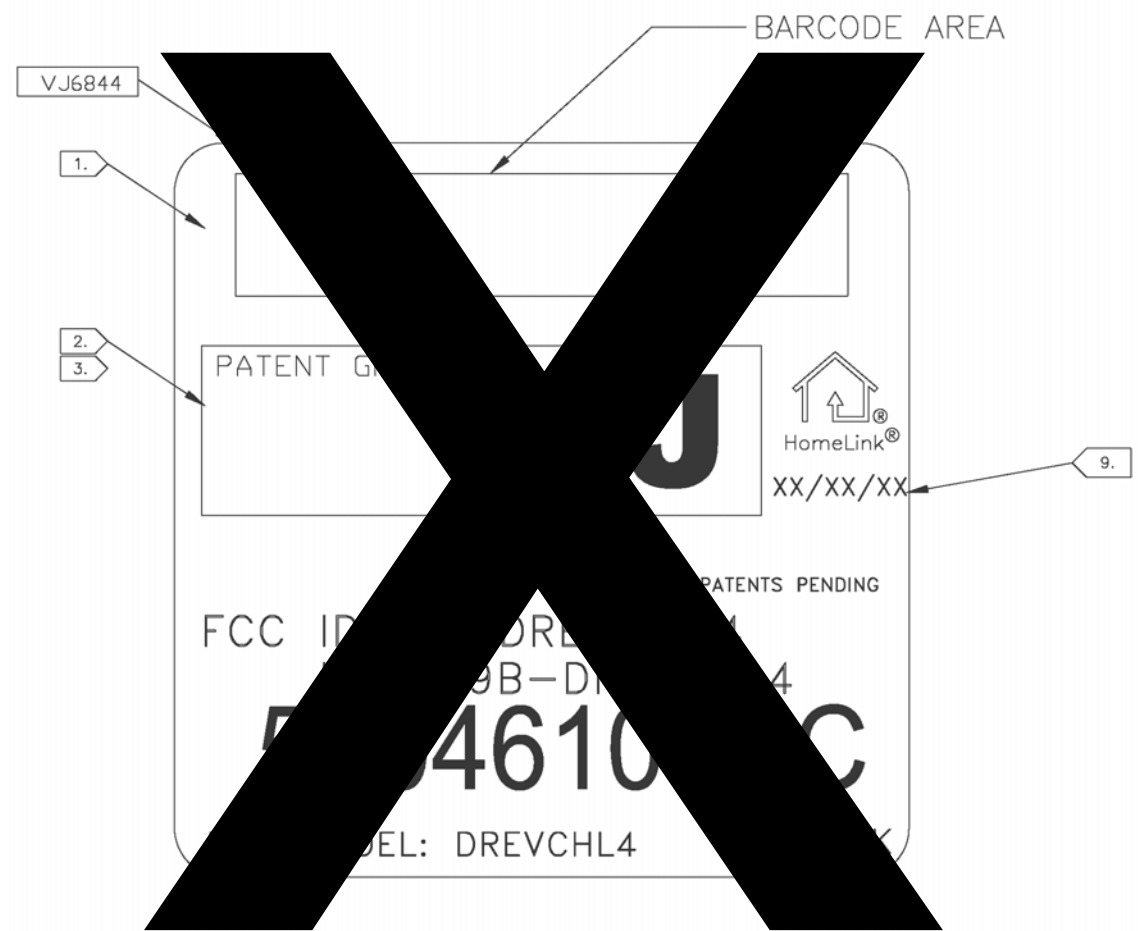
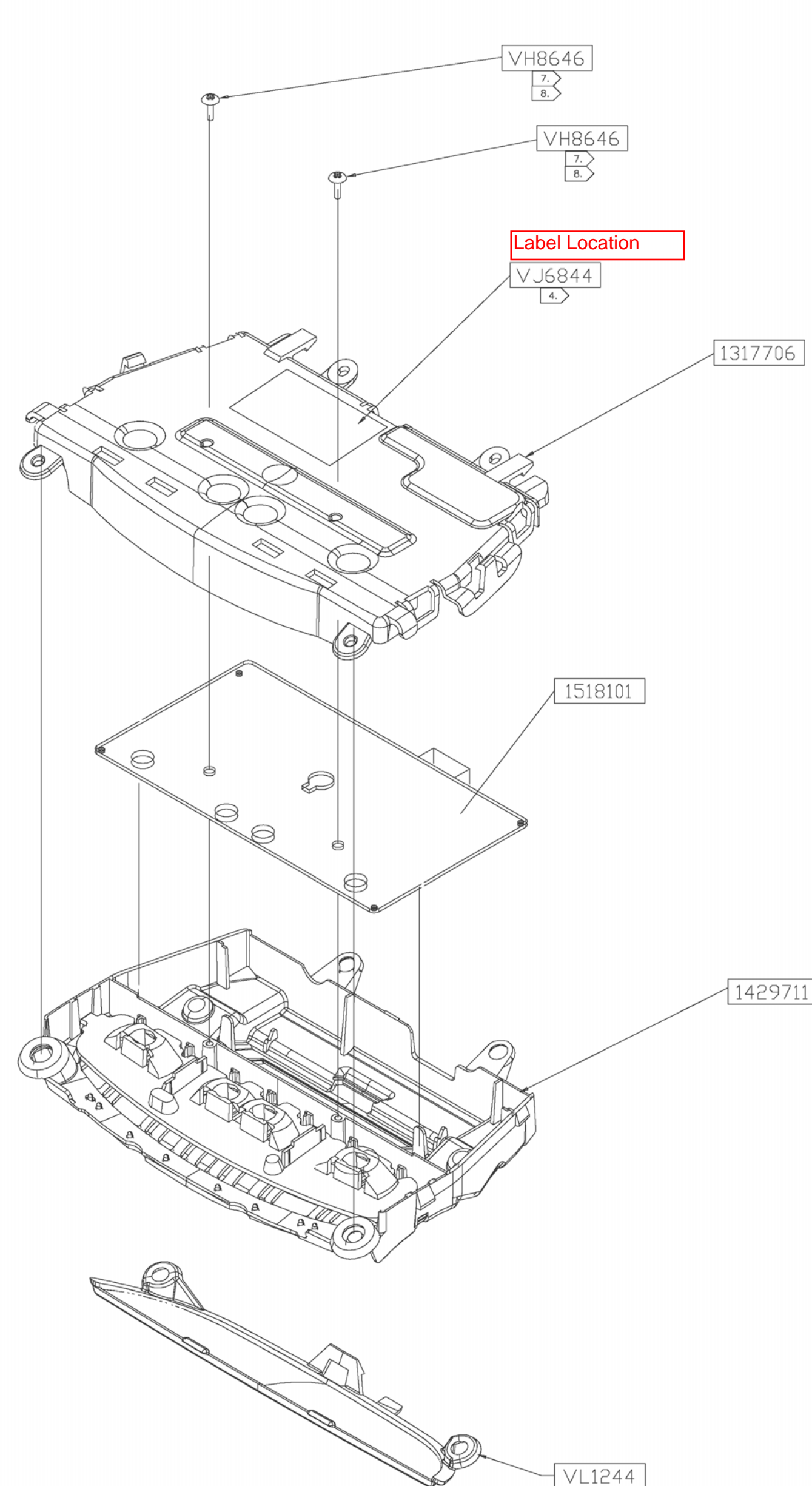


REVISION HISTORY				
REV	DESCRIPTION	BY/DATE	ECO NO.	APPROVED
AAA	RELEASE TO PRODUCTION FROM JCI DWG. AND PART 1518102 REV. 5	CDP 1/14/14	-	-



- NOTES:
- ASSEMBLER IS TO PRINT BARCODE / PATENT NUMBER LABEL INFORMATION AS SHOWN, USING ADHESIVE LABEL.
 - REFER TO LATEST REVISION OF DRAWINGS 1535474 FOR ACTUAL PATENT NUMBERS FOR THE PATENT GROUP IDENTIFIED.
 - DO NOT PRINT PATENT NUMBERS TO FILE SPACE AVAILABLE, BUT NATION / ORGANIZATION OF ORIGIN HEADINGS MUST BE MAINTAINED FOR CORRESPONDING PATENT NUMBERS AS SHOWN ON DRAWING.
 - PLACE BARCODE / PATENT NUMBER LABEL IN AREA INDICATED. DO NOT COVER HOLES OR MARKINGS ON THE HOUSING.
 - REVISIONS TO PLASTIC HOUSING MAY AFFECT THIS PRODUCT'S RADIO FREQUENCY PERFORMANCE.
 - ENCLOSE PCB ASSEMBLY INTO HOUSINGS USING SCREWS AS SHOWN.
 - ANY PERMANENT OR TEMPORARY SUBSTANCE (LUBRICANTS, CUTTING OILS, MOLD RELEASE, RUST INHIBITORS, FASTENER COATINGS, ETC.) USED ON THIS PART MUST BE COMPATIBLE WITH THE HOUSINGS.
 - TORQUE APPLIED TO SCREWS SHALL BE 8 IN/LBS ± 1 IN/LBS.
 - PRINT DATE OF MANUFACTURE AT LOCATION INDICATED, USING THE FORMAT "MONTH/DAY/YEAR".
 - CUSTOMER PART NUMBER:
- | HB / HG | DH / I / C |
|---------------|--------------------------|
| LEAR - MENDON | LEAR - RAMOS / NORTHWOOD |
| 012009244AA | L0186388AA,01 |
11. PROGRAM U1 ON PCB ASSEMBLY IN CIRCUIT USING SOFTWARE CALLED OUT ON BILL OF MATERIALS.

FOR BILL OF MATERIALS FOR ASSEMBLIES SEE THE FOLLOWING ELECTRONIC FILES INCLUDED IN THE ASSEMBLY DATA RELEASE PACKAGE:

ASSEMBLY NUMBER	REVISION	ELECTRONIC FILE NAME
1518102	5	1518102_5_BOM.XLS

VIEW FOR REFERENCE ONLY

REV	DATE	DESCRIPTION	BY	CHKD	APP'D
1	25AUG06	RELEASE FOR PRODUCTION	HP	EDICT	
2	31JAN07	REVISED AND REDRAWN	HP	EDICT	
3	20AUG07	REVISED AND REDRAWN	HP	EDICT	
4	19MAY08	REVISED AND REDRAWN	BS	EDICT	
5	15MAY13	ASSEMBLY REVISED DUE TO REVISION OF PCB ASSEMBLY	BS	EDICT	

REV	DATE	DESCRIPTION	BY	CHKD	APP'D
1	25AUG06	RELEASE FOR PRODUCTION	HP	EDICT	
2	31JAN07	REVISED AND REDRAWN	HP	EDICT	
3	20AUG07	REVISED AND REDRAWN	HP	EDICT	
4	19MAY08	REVISED AND REDRAWN	BS	EDICT	
5	15MAY13	ASSEMBLY REVISED DUE TO REVISION OF PCB ASSEMBLY	BS	EDICT	

REV	DATE	DESCRIPTION	BY	CHKD	APP'D
1	25AUG06	RELEASE FOR PRODUCTION	HP	EDICT	
2	31JAN07	REVISED AND REDRAWN	HP	EDICT	
3	20AUG07	REVISED AND REDRAWN	HP	EDICT	
4	19MAY08	REVISED AND REDRAWN	BS	EDICT	
5	15MAY13	ASSEMBLY REVISED DUE TO REVISION OF PCB ASSEMBLY	BS	EDICT	

ELECTRONICS STD. UNLESS OTHERWISE SPECIFIED			
THIRD ANGLE PROJECTION	I AW ANSI Y14.5M 1982		
DO NOT SCALE			
X.X DECIMAL ± .040 [1.00]	ANGULAR ± 2° 0'		
X.XX DECIMAL ± .020 [.50]	DRAFT ANGLES NOTED		
X.XXX DECIMAL ± .006 [15]			
DIMENSIONS ARE IN INCHES WITH EQUIVALENT MILLIMETERS SHOWN IN BRACKETS.			
SUBSTANCE USE RESTRICTION: THE GLOBAL AUTOMOTIVE DECLARABLE SUBSTANCES LIST (SEE: HTTP://WWW.GENTEX.COM) REGARDING PROHIBITED AND DECLARABLE SUBSTANCES APPLIES TO ALL MATERIALS USED IN THIS PART.			

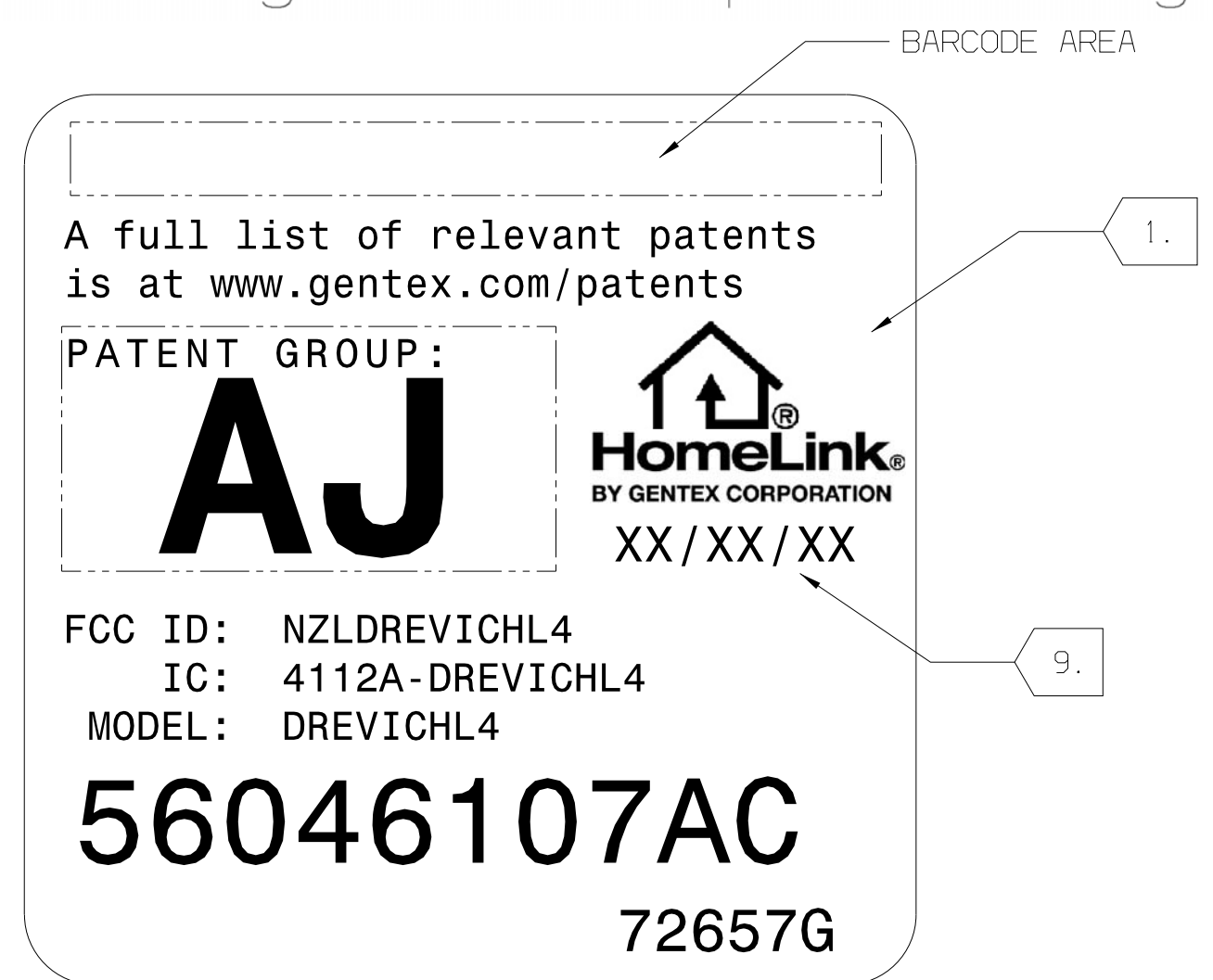
PROJECT	DATE	DRWN BY	DATE
08.5 TRUCK EVIC HOMELINK IV CAN BUS	25AUG06	H. PHAM	25AUG06
	28AUG06	BRET SUNNERVILLE	28AUG06

CUSTOMER	SCALE	DATE	SHEET
DAIMLER CHRYSLER	NONE	28AUG06	1 OF 1

SIZE	TOOL NO. REF.	DWG. NO.
D	ACAD	1518102

QTY	ITEM	DESCRIPTION	JCI PART NO.	GENTEX PART NO.
1	6	LENS ASM. DR02	VL1244	625-0891-000
1	5	LABEL STOCK, 1.5 X 1.5	VJ6844	375-0898-000
1	4	HSG ASM. CHRYSLER KJ. LWR EVIC HMLK	1429711	625-0906-000
1	3	HSG, AN_DN, COMP UPR, MY02	1317706	340-1329-000
2	2	SCREW, M3.5X2.5X14, PLASTIC TYPE 30A	VH8646	401-0069-000
+	+	PCB ASM. HG08 RAM EVIC HMLK	1518101	605-5498-001

REV	DATE	DESCRIPTION	BY	CHKD	APP'D
1	25AUG06	RELEASE FOR PRODUCTION	HP	EDICT	
2	31JAN07	REVISED AND REDRAWN	HP	EDICT	
3	20AUG07	REVISED AND REDRAWN	HP	EDICT	
4	19MAY08	REVISED AND REDRAWN	BS	EDICT	
5	15MAY13	ASSEMBLY REVISED DUE TO REVISION OF PCB ASSEMBLY	BS	EDICT	



A full list of relevant patents is at www.gentex.com/patents

PATENT GROUP:
AJ

HomeLink
BY GENTEX CORPORATION
XX/XX/XX

FCC ID: NZLDREVICHL4
IC: 4112A-DREVICHL4
MODEL: DREVICHL4

56046107AC
72657G

LABEL VIEW
SCALE: 4:1

PRELIMINARY

GENTEX CORPORATION
600 NORTH CENTENNIAL ST
ZEELAND, MICHIGAN 49464
(616) 772-1800

TITLE			
FINAL ASM, CHRYSLER HG RAM EVIC HMLK, MY08			
NVS	SPECIFIES FEATURES REQUIRING SPECIAL CONSIDERATION. SEE CONTROL PLAN.	SIZE	DWG NO.
	INTERPRET DIMENSIONS AND TOLERANCE PER ASME Y14.5M - 1994	D	960-0160
		REV	AAA
		MATERIAL	MASS (CALCULATED)
		SEE DWG	NA
		DRAWN BY	DATA FORMAT
		CPOLLACK	CATIA V5
		SCALE	SHEET
		na	1 OF 1