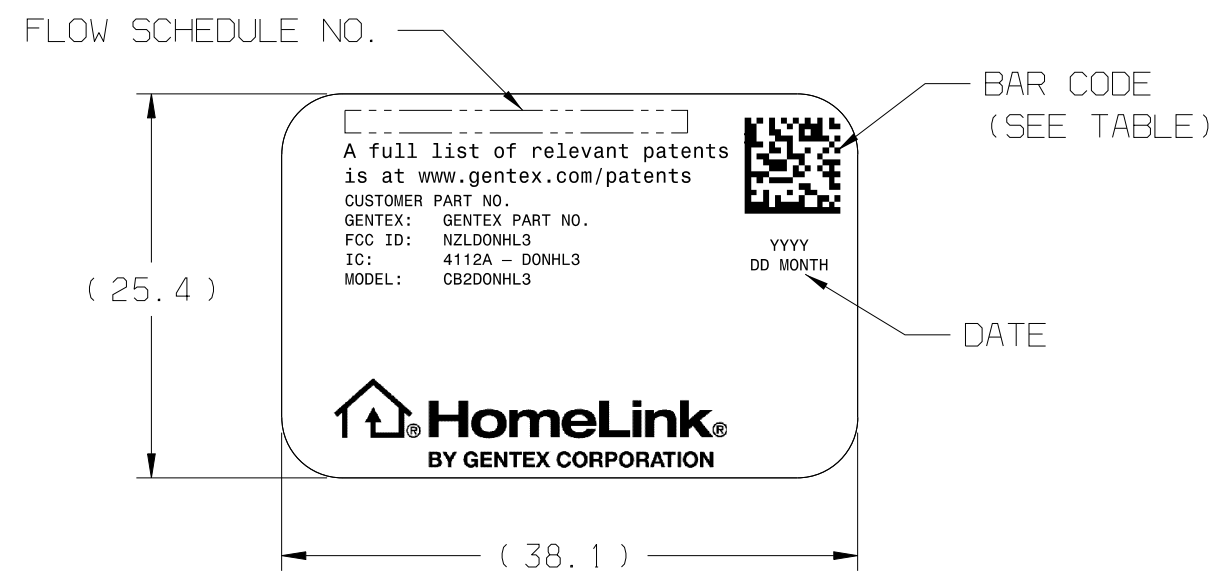
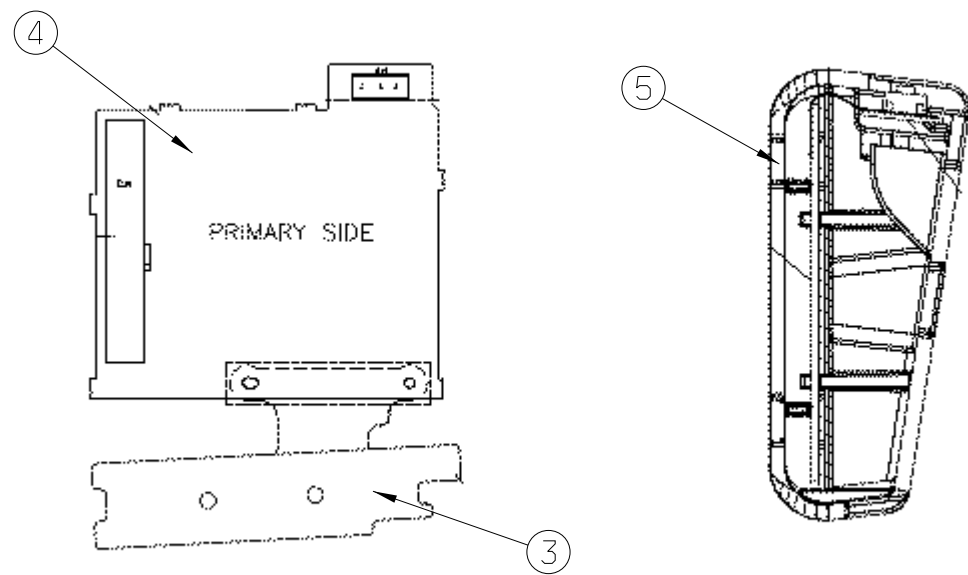


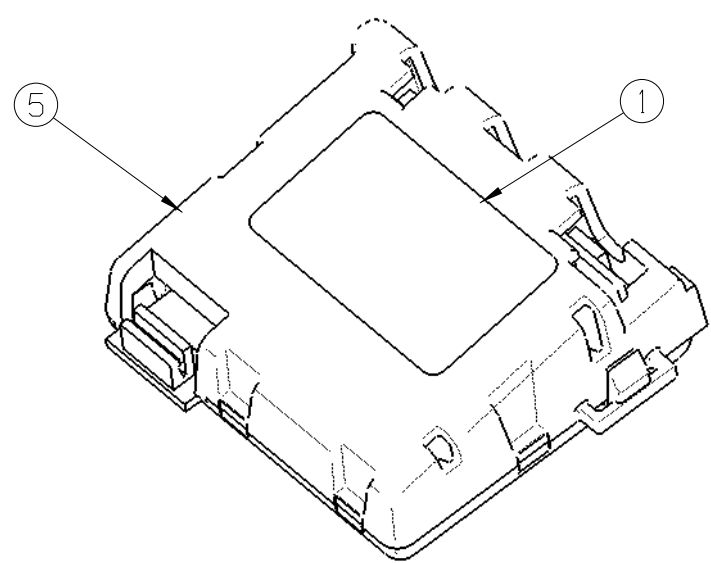
CUSTOMER LABEL - ITEM 2
SCALE: 2:1
(LABEL VIEW)



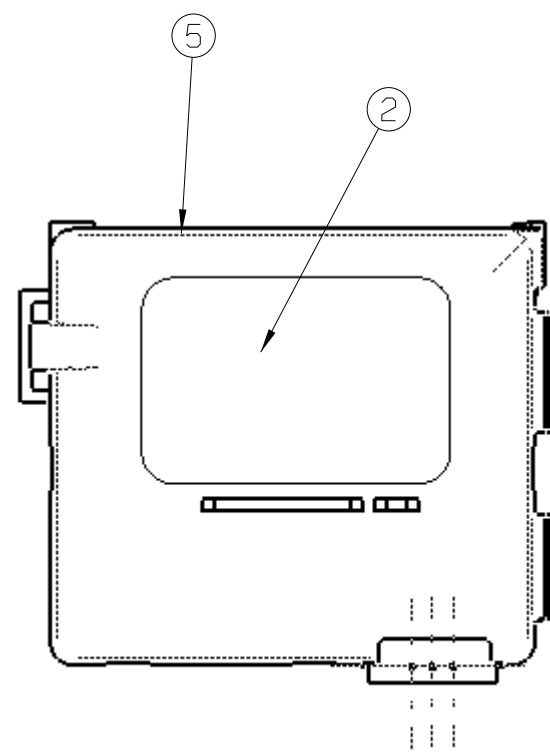
PATENT LABEL - ITEM 1
SCALE: 2:1



SECONDARY SIDE OF SWITCH BOARD
PCB View - NOT TO SCALE



Isometric view - NOT TO SCALE



Back view - NOT TO SCALE

REVISION HISTORY

REV	DESCRIPTION	BY/DATE	ECO NO.	APPROVED
002	RELEASE FOR REVIEW	KGJ 07/09/14		

QTY	ITEM	DESCRIPTION	GENTEX PART NO.
1	5	HSG ASM, HSG, SAAB, HMLK, W/FOAM	625-XXXX-000
1	4	ET, SA PCB, US HL3 SAAB DONELLY MODUL 440/603	605-4779-001
1	3	FLEX ASM, SAAB US, HMLK	725-0036-000
1	2	LABEL, HMLK 1.5X0.75 WHITE	375-0905-000
1	1	LABEL, DATE CODE 1X1.5 WHITE	375-0765-000

NOTES:

- INDIVIDUAL COMPONENTS ON PCB ASSEMBLY ARE FOR REFERENCE ONLY.
- ADHESIVE LABEL FORMAT AND INFORMATION IS TO MATCH AS SHOWN IN THE LABEL VIEW(S) AND BOM.
- ASSEMBLY MUST COMPLY TO TEST SPECIFICATION TDE-1770888_2.
- PART GEOMETRY REPRESENTED ON THIS PRINT IS FOR REFERENCE ONLY. FOR OFFICIAL PART GEOMETRY REFERENCE INDIVIDUAL PART PRINTS.

GENTEX CORPORATION
600 NORTH CENTENNIAL ST
ZEELAND, MICHIGAN 49464
(616) 772-1800

TITLE
FINAL ASM, US HL3 SAAB DONELLY MODUL
440/603

NYS SPECIFIES FEATURES REQUIRING SPECIAL CONSIDERATION. SEE CONTROL PLAN. INTERPRET DIMENSIONS AND TOLERANCE PER ASME Y14.5M - 1994	SIZE C	DWG NO. 960-0084-001	REV 002
	MATERIAL SEE COMP DWGS.		MASS (CALCULATED) TBD g
THIRD ANGLE PROJECTION 		DRAWN BY K. JONES	DATA FORMAT CATIA V5
SCALE 1:1 & AS NOTED		DATE 07/09/2014	SHEET 1 OF 1

LABEL	BARCODE INFORMATION		
	CHARACTERS	INFORMATION	PRINTED TEXT
CUSTOMER	9	PART NUMBER	"#####"
	1	SEPARATOR	": "
	9	SERIAL NUMBER	"S#####"
PATENT	PLXXXXXXXX (8 DIGIT ALPHANUMERIC)		