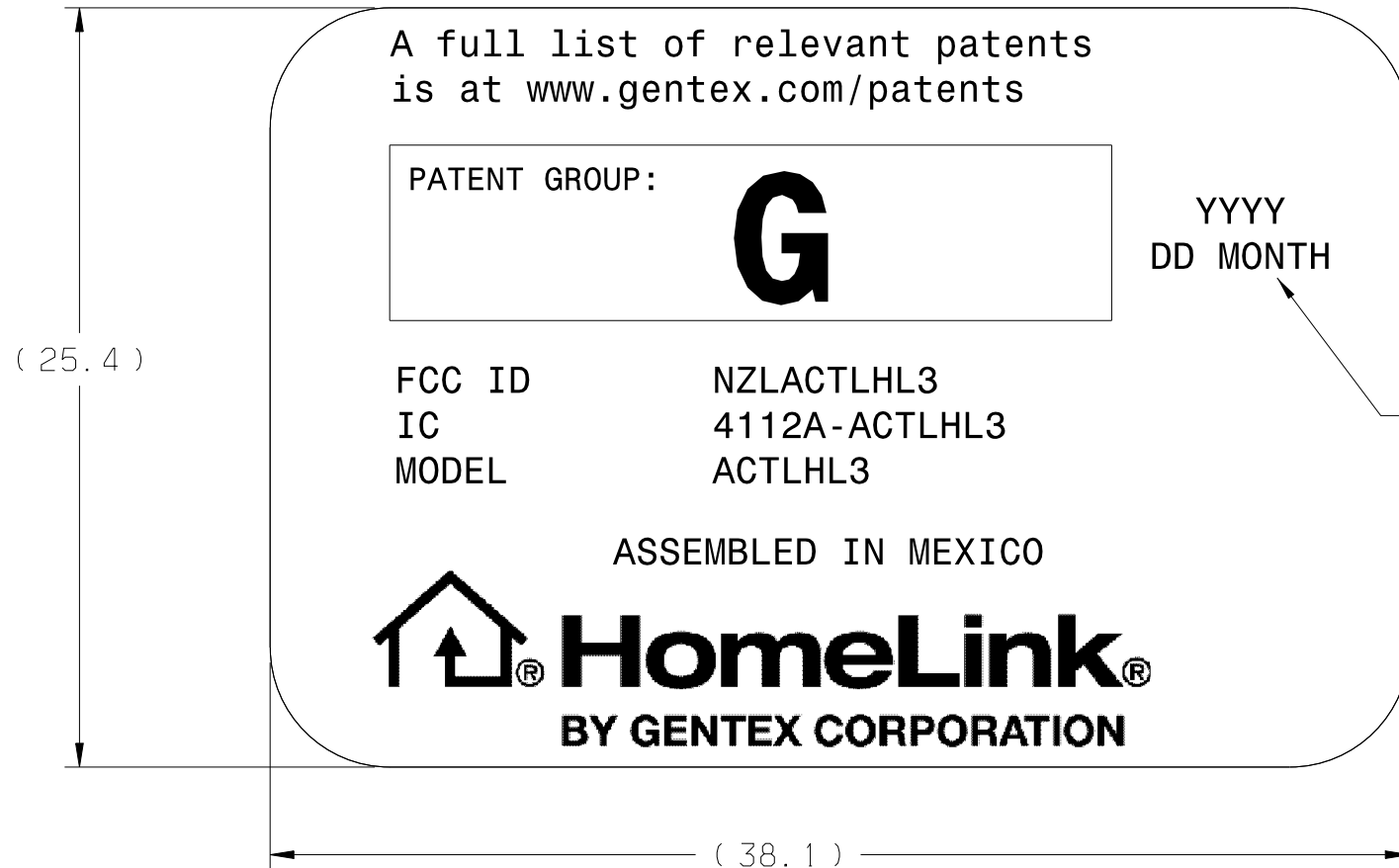


REVISION HISTORY

REV	DESCRIPTION	BY/DATE	ECO NO.	APPROVED
AAA	RELEASE FOR PRODUCTION	CDP 2/25/14	-	-



DATE OF MANUFACTURE

NOTES: UNLESS OTHERWISE SPECIFIED

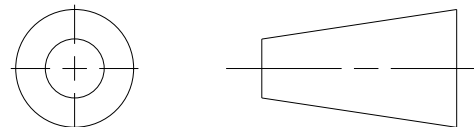
1. LABEL STOCK - 375-0765.
2. MATERIAL - HIGH TEMPERATURE POLYESTER.
3. COLOR: WHITE
4. ASSEMBLER IS TO PRINT LABEL INFORMATION AS SHOWN.

LABEL VIEW
SCALE: 4:1

****PRELIMINARY****

GENTEX CORPORATION
600 NORTH CENTENNIAL ST
ZEELAND, MICHIGAN 49464
(616) 772-1800

TITLE
LABEL, BAR/PT, TL HMLK3

NVS. SPECIFIES FEATURES REQUIRING SPECIAL CONSIDERATION, SEE CONTROL PLAN. INTERPRET DIMENSIONS AND TOLERANCE PER ASME Y14.5M - 1994	SIZE B	DWG NO. HML-1003	REV AAA
	MATERIAL SEE NOTES		MASS (CALCULATED) N/A
THIRD ANGLE PROJECTION 		DRAWN BY CPOLLACK	DATA FORMAT CATIA V5
SCALE 4:1		DATE 2/25/2014	SHEET 1 OF 1