

DATE OF MANUFACTURE

- NOTES: UNLESS OTHERWISE SPECIFIED
1. LABEL STOCK - 375-0765
  2. MATERIAL - HIGH TEMPERATURE POLYESTER.
  3. COLOR: WHITE
  4. ASSEMBLER IS TO PRINT LABEL INFORMATION AS SHOWN.

LABEL VIEW  
SCALE: 4:1

**\*\*PRELIMINARY\*\***

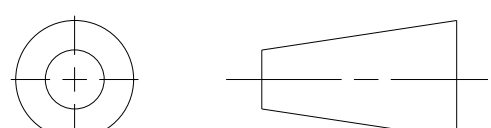
REVISION HISTORY				
REV	DESCRIPTION	BY/DATE	ECO NO.	APPROVED
AAA	RELEASE FOR PRODUCTION	CDP 2/25/14	-	-

**GENTEX** CORPORATION

600 NORTH CENTENNIAL ST  
ZEELAND, MICHIGAN 49464  
(616) 772-1800

TITLE

LABEL, TK4 FCC/PAT

<b>NVS.</b> SPECIFIES FEATURES REQUIRING SPECIAL CONSIDERATION, SEE CONTROL PLAN. INTERPRET DIMENSIONS AND TOLERANCE PER ASME Y14.5M - 1994	SIZE B	DWG NO. HML-1004	REV AAA
	MATERIAL SEE NOTES		MASS (CALCULATED) N/A
THIRD ANGLE PROJECTION 	DRAWN BY CPOLLACK		DATA FORMAT CATIA V5
	SCALE 4:1	DATE 2/25/2014	SHEET 1 OF 1