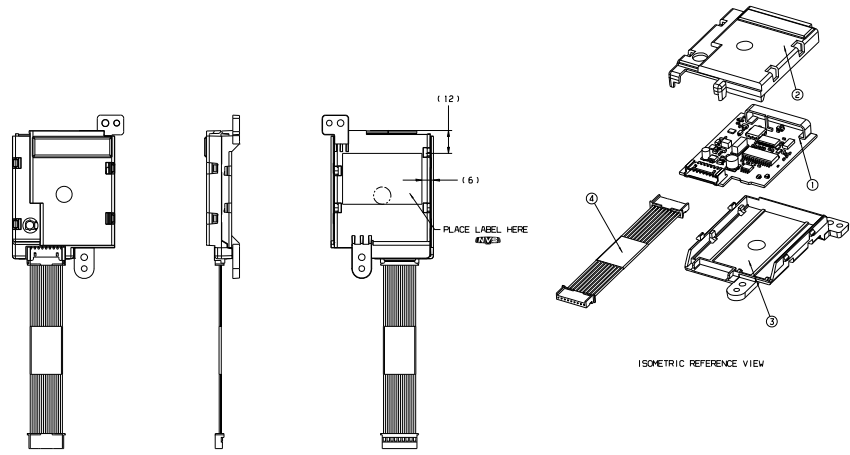


REVISION HISTORY				
REV	DESCRIPTION	BY/DATE	ECO NO.	APPROVED
AAA	RELEASE TO PRODUCTION FROM	CDP 12/16/13	-	-

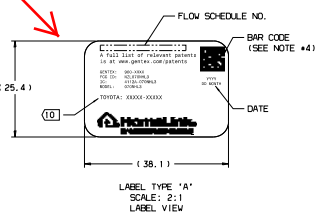
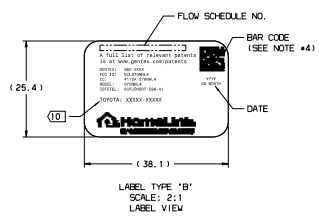
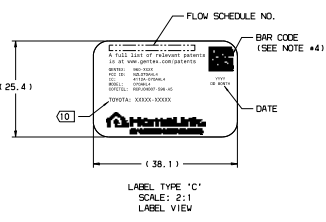


C	B	A	LABEL TYPE		
1	1	1	7	LABEL, BAR CODE 4X6 (NOT SHOWN)	375-0369-000
1	1	1	6	LBL., STOCK 1.0 x 1.5	375-0765-000
1	1	1	5	TAPE, HMLK 3M 850 3/4	637-0089-000
1	1	1	4	SA WIRE HARNESS, HMLK JMFR	625-0881-000
1	1	1	4	SA WIRE HARNESS, HMLK 070N JMFR	625-0880-000
1	1	1	3	HCG, HMLK, 070N LMR	340-1322-000
1	1	1	2	HCG, HMLK, 070N LPR2	340-1323-000
1	1	1	1	SA PCB, HMLK4 340W POSLOCK	605-4741-001
1	1	1	1	SA PCB, HMLK 070N POSLOCK	605-4740-001
1	1	1	1	SA PCB, 070N HMLK3, POSLOCK	605-4739-001

QTY	QTY	QTY	QTY	ITEM	DESCRIPTION
1	1	1	1	4	FINAL ASM, 460W HMLK4
1	1	1	1	3	FINAL ASM, TRANSMITTER QDD 340N
1	1	1	1	2	FINAL ASM, TRANSMITTER QDD
1	1	1	1	1	FINAL ASM, TOYOTA 070N

- NOTES:
- INDIVIDUAL COMPONENTS ON PCB ASSEMBLY ARE FOR REFERENCE ONLY.
  - ADHESIVE LABEL FORMAT AND INFORMATION IS TO MATCH AS SHOWN IN THE LABEL VIEWS AND BOM.
  - ASSEMBLY MUST COMPLY WITH FMVSS 302 & CMVSS 302.
  - THE BAR CODE CONTAINS THE FOLLOWING: "PL" FOLLOWED BY AN 8-DIGIT BAR CODE. AN EXAMPLE IS BELOW; PL12345678
  - ASSEMBLY ITEM 1, MUST COMPLY TO TEST SPECIFICATION TDE-ELE-049. ASSEMBLY ITEMS 2, 3, AND 4 MUST COMPLY TO TEST SPECIFICATION TDE-ELE-100.
  - ANY MATING COMPONENTS, OR COMPONENTS IN CLOSE PROXIMITY TO THIS ASSEMBLY, MUST BE FREE FROM ANY PERMANENT OR TEMPORARY MATERIALS (LUBRICANTS, CUTTING OILS, MOLD RELEASE, RUST INHIBITORS, FASTENER COATINGS, PVC, ETC) THAT ARE INCOMPATIBLE WITH AMORPHOUS THERMOPLASTIC POLYMERS (PC, PC-BLENDS, ABS, PP/POPS, ETC.).
  - REFERENCE IPC-A-610 CLASS 2 STANDARDS FOR ASSEMBLY PRACTICES AND PROCEDURES, UNLESS OTHERWISE SPECIFIED.
  - ALL COMPONENTS MUST MEET SPECIFICATIONS CALLED OUT ON COMPONENT LEVEL DRAWINGS.
  - ENCLOSE ELECTRONICS IN HOUSINGS (COMPONENT ITEMS 2 AND 3).
- (10) CHARACTER HEIGHT THE "TOYOTA" AND TOYOTA PART NUMBER SHALL BE 1.27MM (0.050").

Label Type C will be utilized for NZL070NHL3



**GENTEX CORPORATION**

600 NORTH CENTENNIAL ST  
ZEELAND, MICHIGAN 49684  
(616) 772-1800

---

TITLE: FINAL ASM, HMLK, TOYOTA

KAWAII SPECIFIES FEATURES REQUIRING SPECIAL CONSIDERATION. SEE CONTROL PLAN.	SIZE: D	DWG NO.: 960-D	REV: AAA
INTERPRET DIMENSIONS AND TOLERANCE PER ISOE Y14.2M - 1974	WEIGHT: 19.5 g	MFG (COLLARED):	MFG (COLLARED):
THIRD ANGLE PROJECTION	DRAWN BY: CPOLLACK	DATE: 12/10/2013	DATA FORMAT: CATIA V5
SCALE: 1:1 & DATE AS NOTED	SHEET: 1 OF 1		