



WIPClip User Manual

© Copyright 2001 by Tellus Technology, Inc. All rights reserved. This document may not be copied or translated, in whole or in part, without the express written consent of Tellus Technology, Inc.

Disclaimer and Limitation of Liability

All other products or services mentioned in this guide are identified by the trademarks or service marks of their respective companies or organizations. Any such marks are used here in an editorial manner, to the benefit of the owner, with no intention of infringement. Their mention does not constitute an endorsement.

Tellus Technology, Inc. provides this user manual as is. Tellus Products and its subsidiaries assume no responsibility or loss resulting from the use of this user manual. Tellus Technology may make improvements or changes in the Product this user manual describes at any time without notice.

Tellus Technology, Inc.
6140 Stevenson Boulevard
Fremont, CA 94538
USA

For information, please contact:

Technical Support

Tel: +1 510 743 2100

Fax: +1 510 580 1600

E-mail: support@tellus-tech.com

Website: www.tellustechnology.com

Table of Contents

Introduction - WIPClip Springboard Module	2
Introduction to CDPD (Wireless IP)	2
System Overview	2
Subscription to a CDPD Service	2
CDPD System Description	3
Inserting the WIPClip into the Springboard slot of the Visor	4
Charging the WIPClip	5
Quick Reference	5
Customer Support	6
Warranty Coverage	6

INTRODUCTION - WIPCLIP SPRINGBOARD MODULE

The Tellus WIPClip™ CDPD Springboard™ module is a CDPD (Cellular Digital Packet Data) wireless data modem designed for Handspring™ Visor™ PDA (Personal Digital Assistant). The WIPClip easily snaps into the Springboard expansion slot with a 64-pin connector.

The WIPClip modem, mated with the Handspring Visor, gives users mobile data capabilities, enabling wireless access to email, corporate Intranet and the Internet at speeds up to 19.2 kbps. Inserting the WIPClip modem into the Visor's Springboard expansion platform adds just 3.2 ounces to the Visor and fits perfectly in a shirt pocket. The WIPClip features a rechargeable Lithium Ion battery through the Hot-Sync cradle or the Handspring travel charger without removing the WIPClip modem. The WIPClip uses AT Commands and relies on the TCP/IP stack of the PDA for network access. Since the modem is "plug-and-play", the AT Commands are transparent to the user. For those wishing to utilize the AT Commands, a built-in terminal program has been provided.

INTRODUCTION TO CDPD (WIRELESS IP)

System Overview

With the WIPClip module integrated into your Visor, it connects to the public Cellular Digital Packet Data (CDPD) network using Internet Protocol (IP) addresses or to a Virtual Private Wireless IP network.

When you send or receive data, CDPD networks use advanced error correction techniques to ensure that your data is received error free. In addition, CDPD networks provide data encryption and authentication services - adding security and privacy - to protect your information as it moves across the network.

Thus, CDPD is a reliable, interference-reduced, wireless data-transfer system that provides the freedom to communicate sensitive information in a secure wireless environment.

Subscription to a CDPD Service

Subscription to a CDPD Network is required for the WIPClip/PDA to function. Tellus Technologies does not include CDPD service activation as part of the WIPClip product. The user must subscribe to a CDPD service just as you subscribe to a cellular or paging service to activate your mobile phone or pager.

The carrier records the unique and pre-programmed Equipment Identifier (EID), assigns a Network Equipment Identifier (NEI - an IP address), and sets up a billing account, similar to the assignment of a cellular phone number.

If you are switching CDPD service providers, you will need to contact the wireless provider of your choice and follow their instructions regarding configuration of the modem to work on their network and to avoid Roaming charges.

Printed on the WIPClip label are the EID, Serial Number (S/N), FCC and Industry Canada ID's and compliance statement. Copy the EID and S/N onto the quick reference form at the end of this WIPClip User Manual. This information offers a convenient, alternate location making it easier to reference your unit if you need to contact the Tellus Help Desk.

CDPD System Description

It is important to understand how a CDPD Network works and how the WIPClip sends and receives data. It is assumed that the WIPClip has been attached to the Visor via the Springboard slot. The combination of the WIPClip and PDA becomes the Mobile End System, (MES).

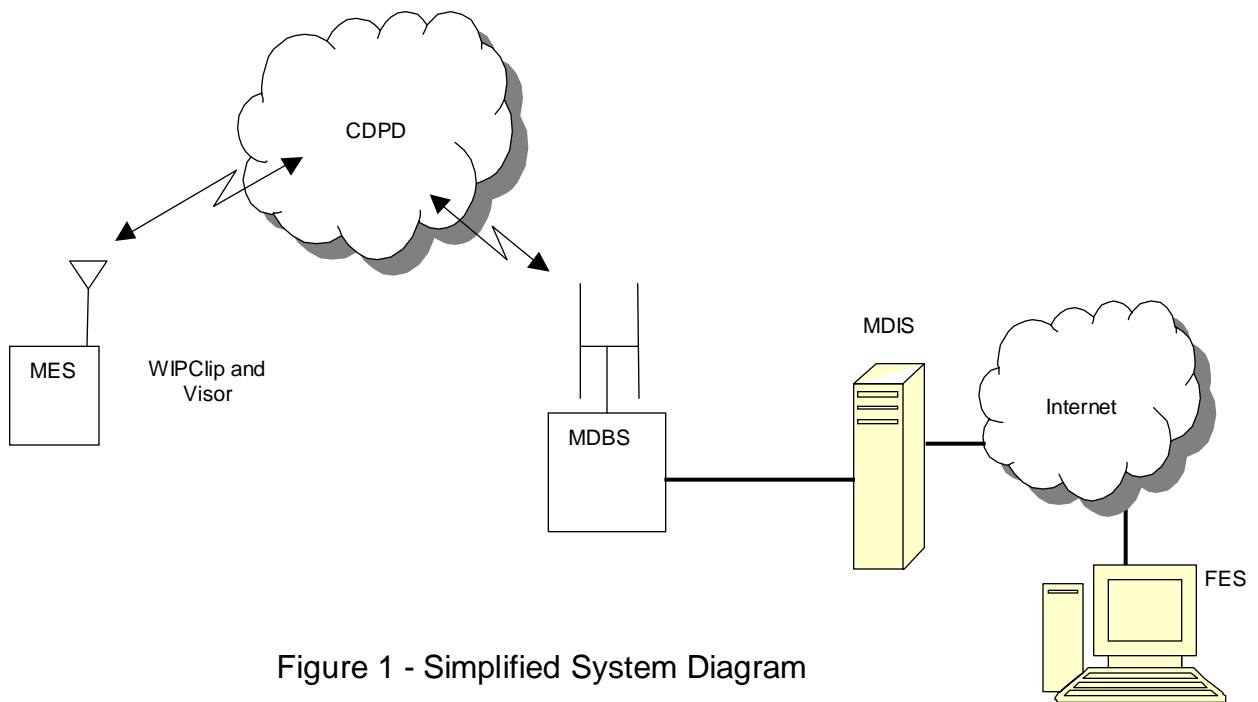


Figure 1 - Simplified System Diagram

The MES is connected via the air interface of the Cellular Digital Packet Data (CDPD) Network to the Mobile Base Station (MDBS). The MBDS is connected to a Serving Fixed End System (FES) via the Mobile Data Intermediate System and the Internet.

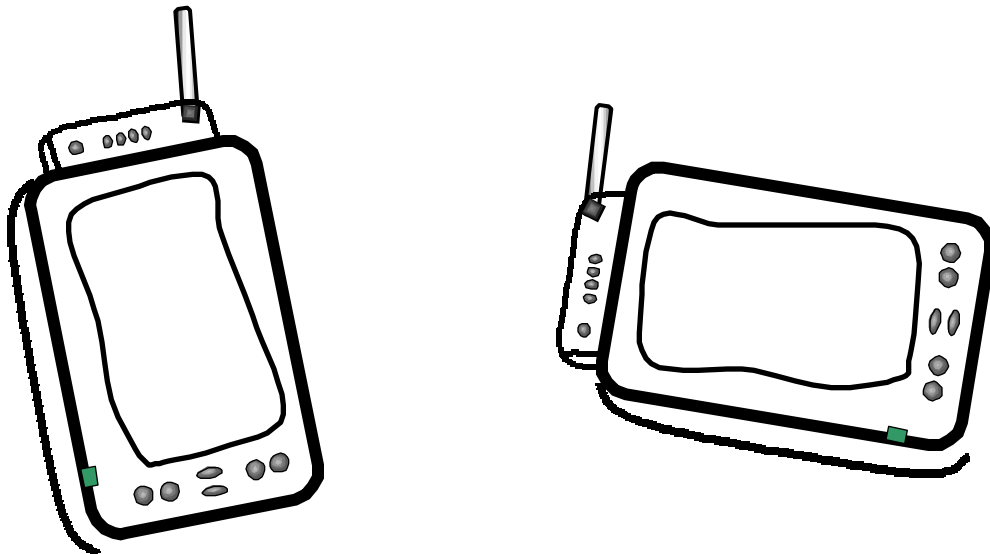
The FES could be another MES working under the CDPD cloud. In this configuration, the MDIS would not route the data to the Internet, but to the appropriate MBDS for transmission to the other MES.

INSERTING THE WIPCLIP INTO THE SPRINGBOARD SLOT OF THE VISOR

Operation is simple, you insert the WIPClip module into the Springboard slot of the Handspring Visor. Depending on the Visor model you have purchased, use the HotSync® cradle or available travel charger to charge the internal battery of the WIPClip. Once the modem is fully charged adjust the antenna to the appropriate position as shown on the pictures below. The user then clicks on the browser icon, of your preferred wireless service provider, to instantaneously connect to the CDPD network.

For FCC RF exposure compliance and better RF reception, it is recommended that your hand be kept 4 cm away from the antenna.

To handle the WIPClip/Visor, the left index finger rests directly behind the modem. The thumb then rests in front of the Visor panel to access the features on the screen and control buttons.



Optimal Antenna Positions

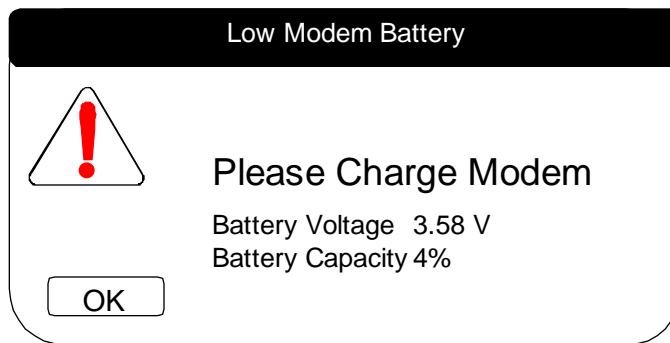
Caution

To satisfy FCC radio-frequency exposure requirements, the antenna for this device must be placed four centimeters (4cm) or more from all persons, while it is in operation.

CHARGING THE WIPCLIP

Recharging the WIPClip modem is easy. The normal battery operation is between 3.5 to 4.2 Volts. If your battery level falls below 3.59 Volts, a warning message will appear, "Low Modem Battery", as shown below. When this dialog box appears, replace the Visor and WIPClip to the HotSync recharging cradle or simply plug the Handspring travel charger into the Visor. It takes a few minutes for the battery to accurately show the charging condition.

The green battery LED will flash slowly indicating that your battery is in process of recharging. If your unit still does not operate, make sure that the unit is placed correctly on the cradle or fully connected to the travel charger.



QUICK REFERENCE

IP Address : _____

EID: _____

Serial Number: _____

CUSTOMER SUPPORT

Tellus provides a one-year limited warranty for your modem. For details, read the Warranty Coverage section.

If you need technical support or additional accessories, contact the Tellus Help Desk between 8:30am and 6:00pm (PST), Monday through Friday at +1 (510) 743 2100. You may also contact Tellus by email or on the Internet.

E-mail: support@tellus-tech.com

Web: www.tellustechnology.com

WARRANTY COVERAGE

Tellus Technology, Inc. (Tellus) warrants that the Tellus WIPClip wireless data card and accessories conform to Tellus' published specifications for such Product at the time of purchase, and will be free from defects in materials and workmanship, under normal operating use and service, for one year from the date of original purchase (not from date of Product activation or registration on the network). This warranty extends to the final consumer of the Product only. Tellus at its option, will at no charge, either repair (with new or reconditioned parts), replace (with a new or reconditioned Product), or refund the purchase price of the Product during the first 60 days from the date of purchase.

Repaired/replacement Products are warranted for either 60 days or the remainder of the original warranty period, whichever is longer. All replaced items become Tellus' property.

What the Warranty Does Not Cover

This warranty does not cover: (a) installation, maintenance or service of the Product; (b) defects or damage from misuse, use in other than the normal and customary manner, accident or neglect; (c) defects or damage from improper testing, operation, maintenance, installation, adjustment, alteration or modification; (d) defects or damage from spills of food or liquid; (e) all plastic surfaces and all other externally exposed parts that are scratched or damaged due to normal use; (f) the operation of the Product with equipment not supplied by Tellus if there is no fault with the Product; (g) damage to the Product caused by the use of equipment not supplied by Tellus; (h) Products that have had the serial number removed or made illegible; (i) Products rented to others; or (j) any batteries included with the Product.

This warranty also does not cover optional rechargeable batteries if: (a) the battery is charged by other than our approved battery chargers; (b) any of the seals on the battery is

broken or shows evidence of tampering; or (c) the battery is used in equipment or service other than the product for which it is specified.

In addition, Tellus specifically disclaims liability for: (a) range, coverage, traveling, availability or operation of any communications system(s) on which the Product operates; or (b) any data stored in or used with the Product, including recovery costs of such data.

Warranty Service Guidelines

The user must provide proof of purchase bearing the date of purchase in order to receive warranty service. In some cases, the provider who sold or installed your Product will facilitate your warranty service. Tellus will provide warranty service through Tellus-authorized Product repair facilities or you may return the Product directly to Tellus for warranty service.

Please contact Tellus Technology at +1 (510) 743-2100 for information on returning your Product for warranty service. For any return of Product to Tellus, you must prepay shipping costs and include your name, address, daytime phone number, proof of purchase and an explanation of the problem. If possible, use the original container in shipping a Product to Tellus. Tellus will pay any shipping costs for returning a Product to you.

General Provisions

This warranty sets forth the responsibilities of Tellus regarding this Product. Repair, replacement, or refund of the purchase price, at Tellus' option, is your exclusive remedy. THIS WARRANTY IS GIVEN IN LIEU OF ALL OTHER EXPRESS WARRANTIES. IMPLIED WARRANTIES, INCLUDING WITHOUT LIMITATION IMPLIED WARRANTIES OF MERCHANTABILITY AND FITNESS FOR A PARTICULAR PURPOSE, ARE LIMITED TO THE DURATION OF THIS LIMITED WARRANTY. IN NO EVENT SHALL TELLUS BE LIABLE FOR DAMAGES IN EXCESS OF THE PURCHASE PRICE OF THE PRODUCT, FOR ANY LOSS OF USE, LOSS OF TIME, INCONVENIENCE, COMMERCIAL LOSS, LOST PROFITS OR SAVINGS, OR OTHER INCIDENTAL, SPECIAL OR CONSEQUENTIAL DAMAGES ARISING OUT OF THE USE OR INABILITY TO USE SUCH PRODUCT, TO THE FULL EXTENT SUCH MAY BE DISCLAIMED BY LAW.

Jurisdiction Rights

Some jurisdictions do not allow the exclusion or limitation of incidental or consequential damages, or limitation on how long an implied warranty lasts, so the above limitations or exclusions may not apply to you. This warranty gives you specific rights, and you may also have other rights which may vary from jurisdiction to jurisdiction.

In addition, this warranty only applies to Product purchased from dealers operating in the United States, Canada, or Mexico. Products purchased from any other country are excluded from this warranty.

Regulatory Notice FCC Compliance Statement

This equipment has been tested and found to comply with the limits for a Class B digital device, pursuant to Part 15 of the FCC Rules. These limits are designed to provide reasonable protection against harmful interference in a residential installation. This equipment generates, uses and can radiate radio frequency energy and, if not installed and used in accordance with the instructions, may cause harmful interference to radio communications. However, there is no guarantee that interference will not occur in a particular installation. If this equipment does cause harmful interference to radio or television reception, which can be determined by turning the equipment off and on, the user is encouraged to try to correct the interference by one or more of the following measures:

- Relocate the receiving antenna.
- Increase the separation between the equipment and receiver.
- Connect the equipment into an outlet on a circuit different from that to which the receiver connects.
- Consult the dealer or an experienced radio/television technician for help.

Properly shielded and grounded cables and connectors must be used in order to meet FCC emissions limits. Proper cables and connectors are available from Tellus authorized dealers. Tellus is not responsible for any radio or television interference caused by using other than recommended cables and connectors or by unauthorized changes or modifications to this equipment.

The user is cautioned that any changes or modifications not expressly approved by Tellus Technology, Inc. could void the user's authority to operate the equipment.

WARNING

Do not use this Product on an airplane or while in other non-radio zones such as designated Blasting Areas. This wireless Modem could interfere with sensitive safety equipment.

You may find the following book helpful: Interference Handbook (stock number 004-000-00493-1). This booklet, prepared by the Federal Communications Commission, is available from the U.S. Government Printing Office, Washington DC 20402.

Industry Canada Compliance Statement

This Class B digital apparatus meets all requirements of the Canadian Interference-Causing Equipment Regulations.

Avis de conformite aux normes du ministere des Industrie Canada
Cet appariel numerique de la Classe B respecte toutes les exigences du Reglement sur le material brouilleur du Canada.