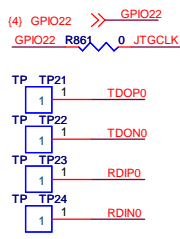


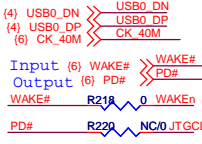
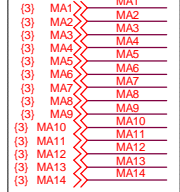
Title		
TDX5W OPEN (5V1A) SCH		
Size	Number	Revision
A4		
Date:	8-May-2012	Sheet of
File:	D:\TDX OPEN 5W(1)\SCH.DDB	Drawn By:

- (5) RDIN4 >> RDIN4
- (5) RDIP4 >> RDIP4
- (5) TDON4 >> TDON4
- (5) TDOP4 >> TDOP4

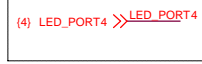
### 10/100M PHY Interface



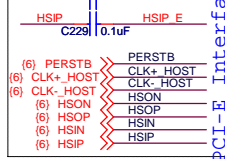
### Configure Interface



### LED Interface

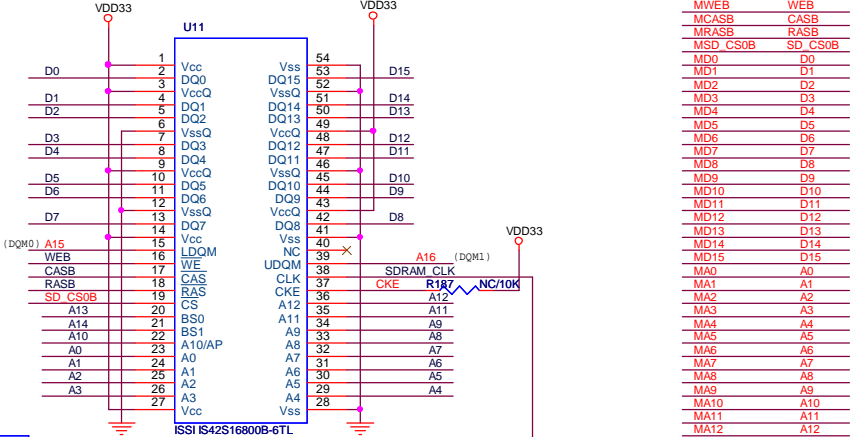


### PCI-E Interface



- JTGTRST R101 0 WPS
- JTGTDI R156 0 DEFAULT
- JTGTMS R158 0 WPSLED
- JTGTDO R16 0 SYSLED

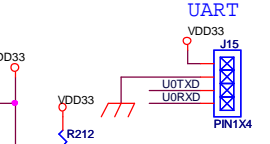
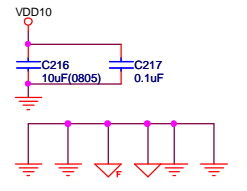
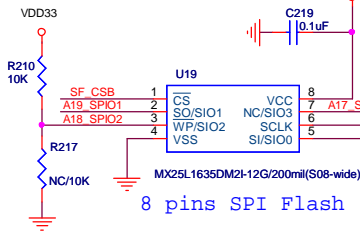
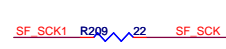
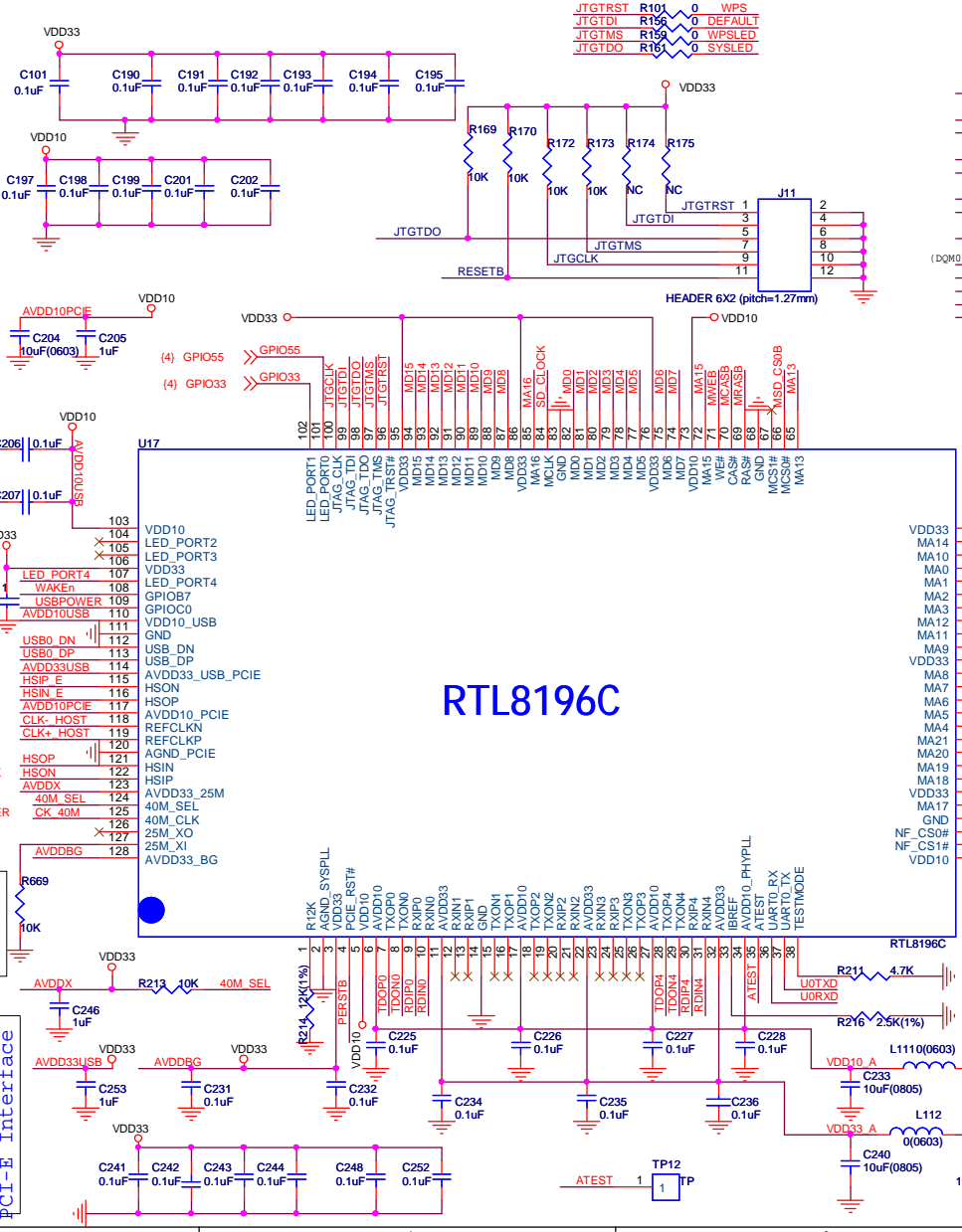
### 16M 16bit SDARM x1



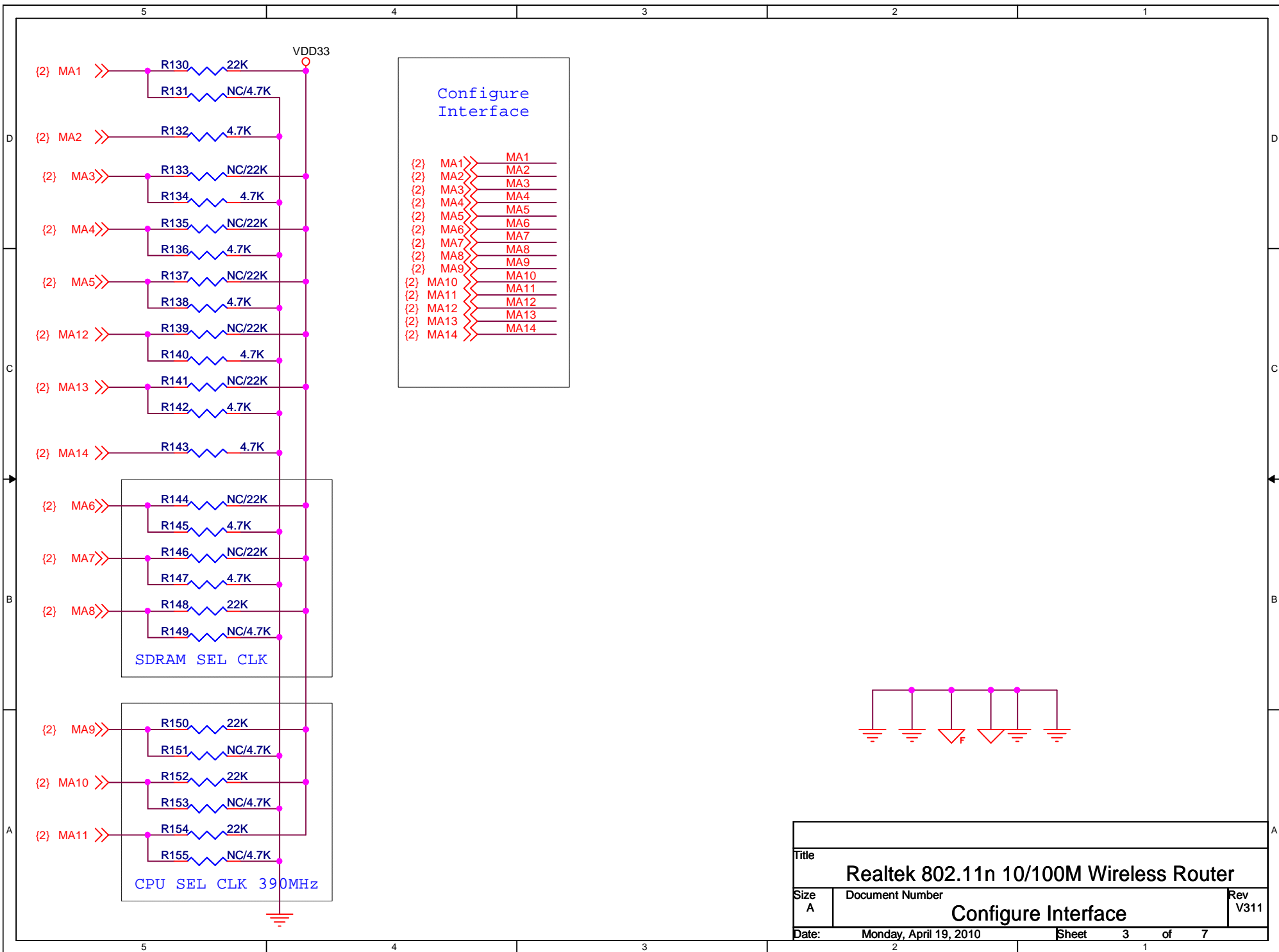
- MWEB >> WEB
- MCASB >> CASB
- MRASB >> RASB
- MSD\_CS0B >> SD\_CS0B
- MD0 >> D0
- MD1 >> D1
- MD2 >> D2
- MD3 >> D3
- MD4 >> D4
- MD5 >> D5
- MD6 >> D6
- MD7 >> D7
- MD8 >> D8
- MD9 >> D9
- MD10 >> D10
- MD11 >> D11
- MD12 >> D12
- MD13 >> D13
- MD14 >> D14
- MD15 >> D15
- MA0 >> A0
- MA1 >> A1
- MA2 >> A2
- MA3 >> A3
- MA4 >> A4
- MA5 >> A5
- MA6 >> A6
- MA7 >> A7
- MA8 >> A8
- MA9 >> A9
- MA10 >> A10
- MA11 >> A11
- MA12 >> A12
- MA13 >> A13
- MA14 >> A14
- MA15 >> A15
- MA16 >> A16

SPI Flash	Single I/O	Quad I/O
8 pins SPI	R210=10K	R210=NC
	R212=10K	R212=NC

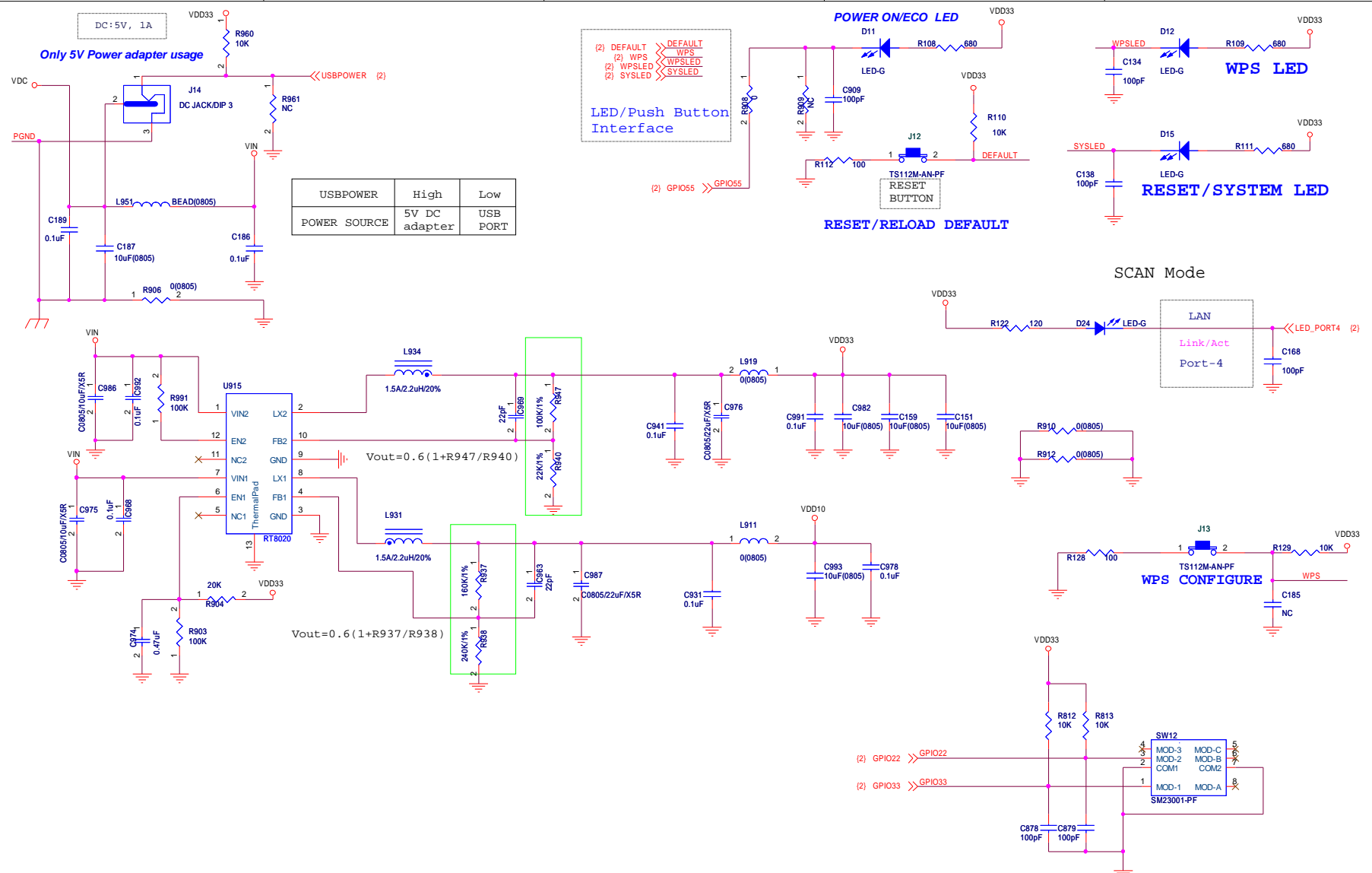
## RTL8196C



Title		
Realtek 802.11n 10/100M Wireless Router		
Size	Document Number	Rev
Custom	CPU/SDRAM/FLASH	V311
Date:	Thursday, April 07, 2011	Sheet 2 of 7



Title		
Realtek 802.11n 10/100M Wireless Router		
Size A	Document Number	Rev V311
Configure Interface		
Date:	Monday, April 19, 2010	Sheet 3 of 7



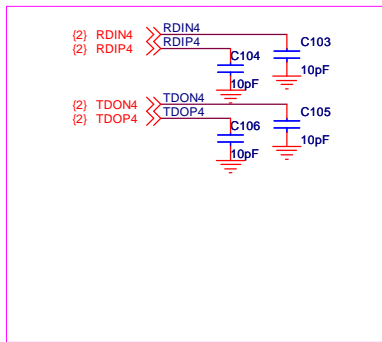
USBPOWER	High	Low
POWER SOURCE	5V DC adapter	USB PORT

(2) DEFAULT >> DEFAULT  
 (2) WPS >> WPSLED  
 (2) WPSLED >> WPSLED  
 (2) SYSLED >> SYSLED

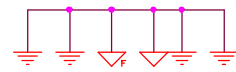
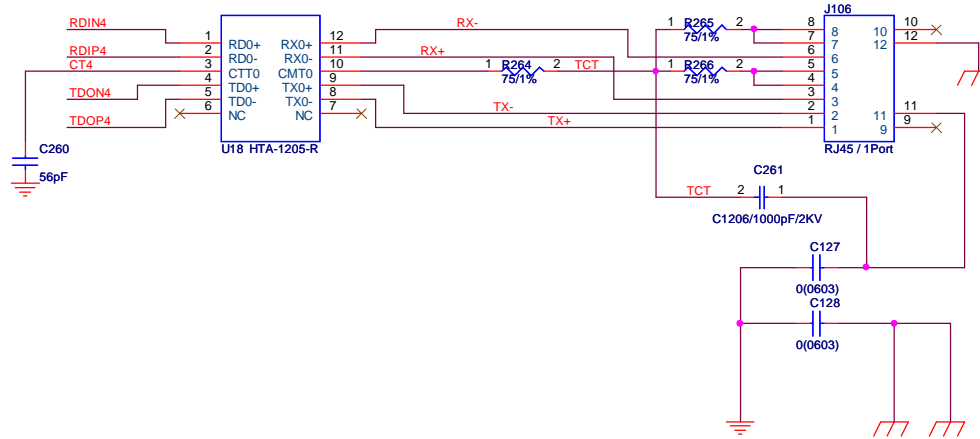
LED/ Push Button Interface

$$V_{out} = 0.6 \cdot (1 + R_{937}/R_{938})$$

$$V_{out} = 0.6 \cdot (1 + R_{947}/R_{940})$$



### Ethernet Transformer



Title		
Realtek 802.11n 10/100M Wireless Router		
Size	Document Number	Rev
B	MDI 10/100M	V311
Date:	Monday, April 19, 2010	Sheet 5 of 7

