



DONGGUAN TENGXIANG ELECTRONICS CO., LTD.

5G Antenna Testing Parameters

● Pro No: AN5000-
50F080BX/2.15.5.00077

● Versions: V1.0

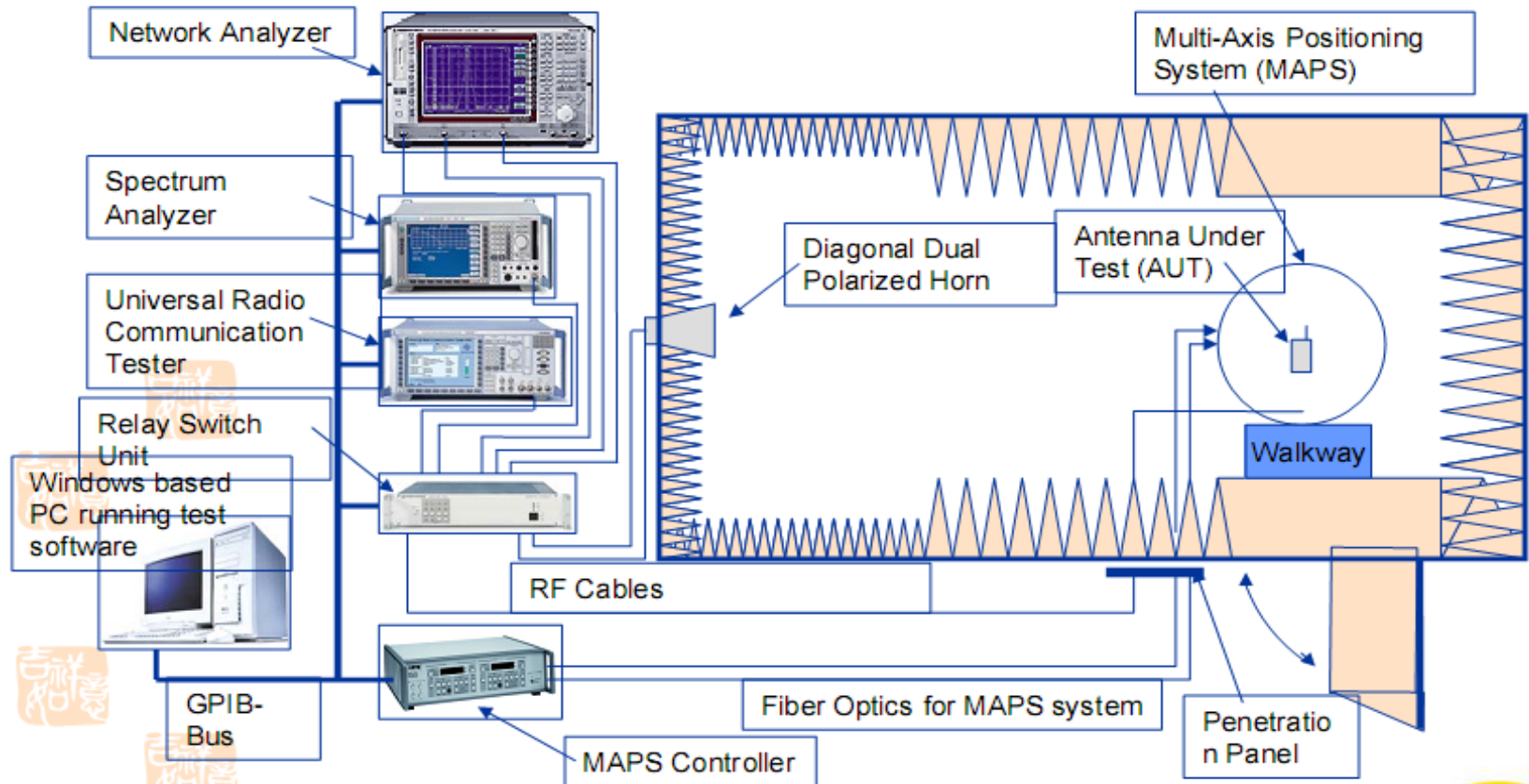
● Antenna Specification:
5150-5850MHz 5dBi

● Prepare by: YuanChaoXu

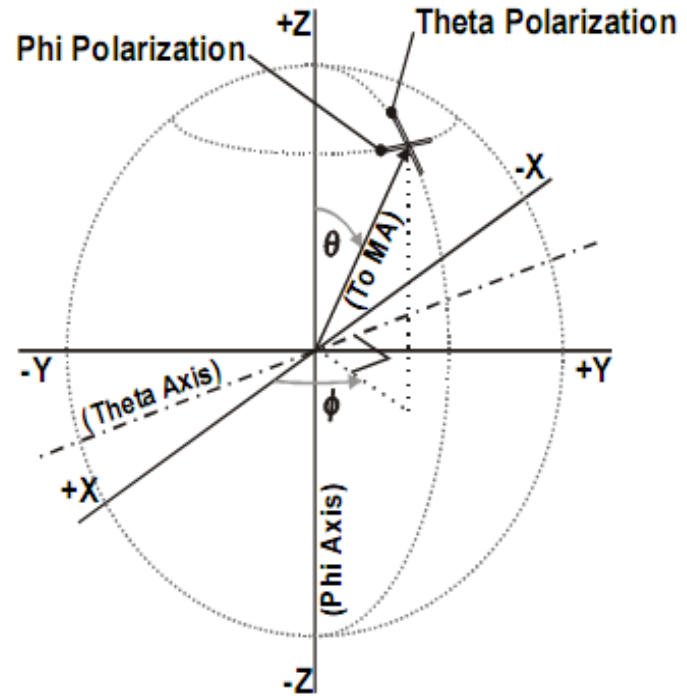
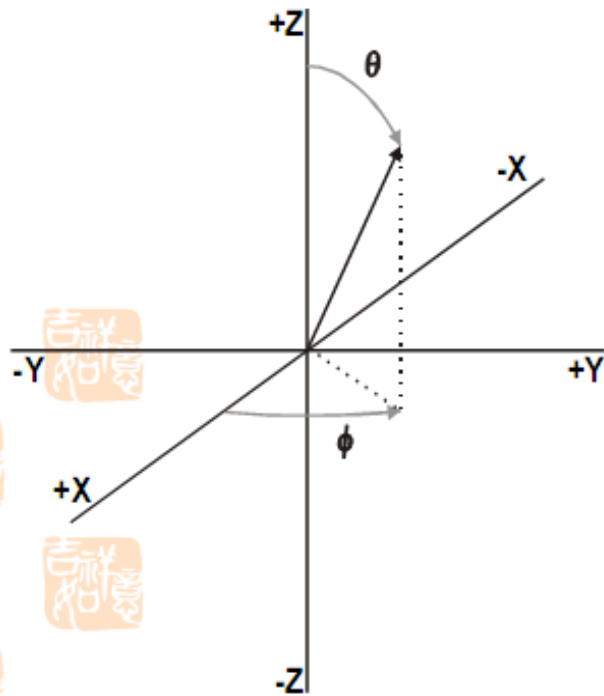
● Test Equipment:
Fully Anechoic Chamber/Aglient
E5071C

● Approve by: Wei Jia

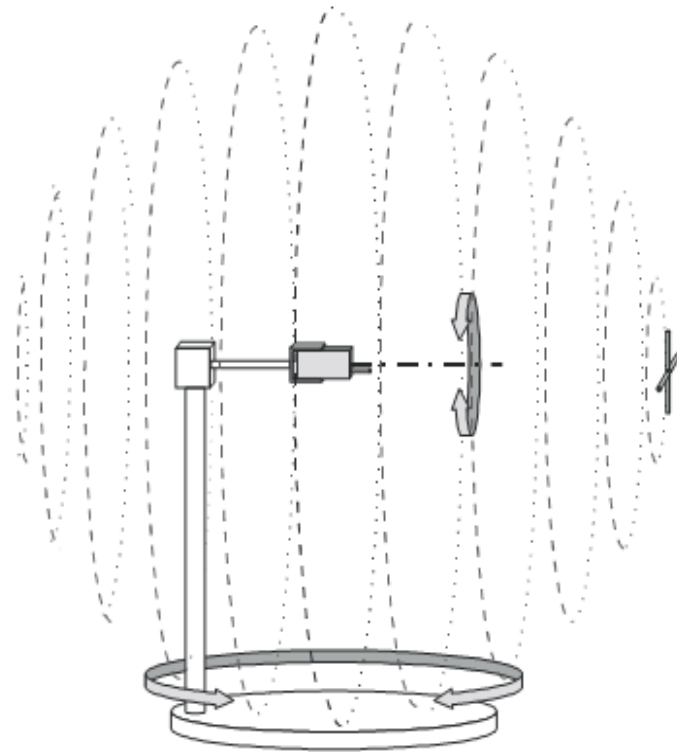
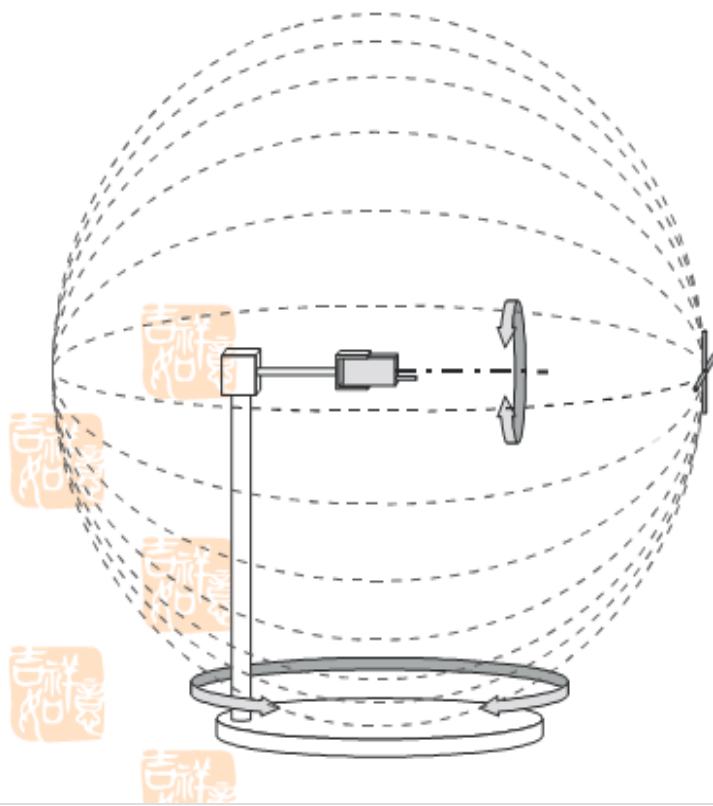
1. CTIA OTA Test System



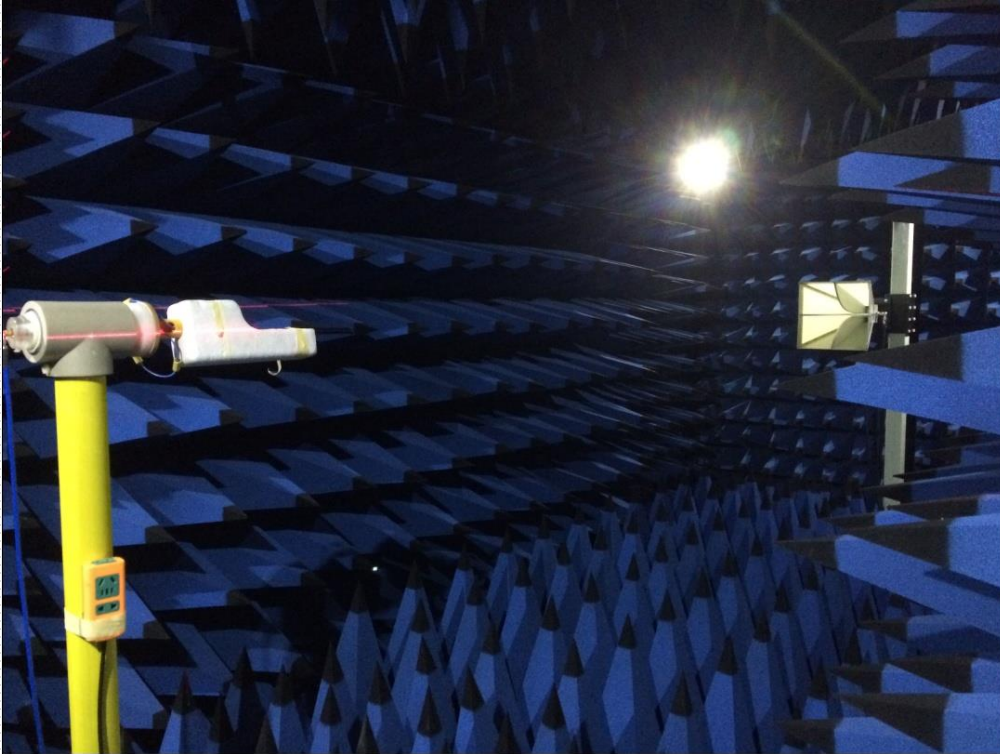
1.1 Test Coordinates



1.2 Turntable



1.3 ETS Test System In TengXiang



Size:7m*3m*3m

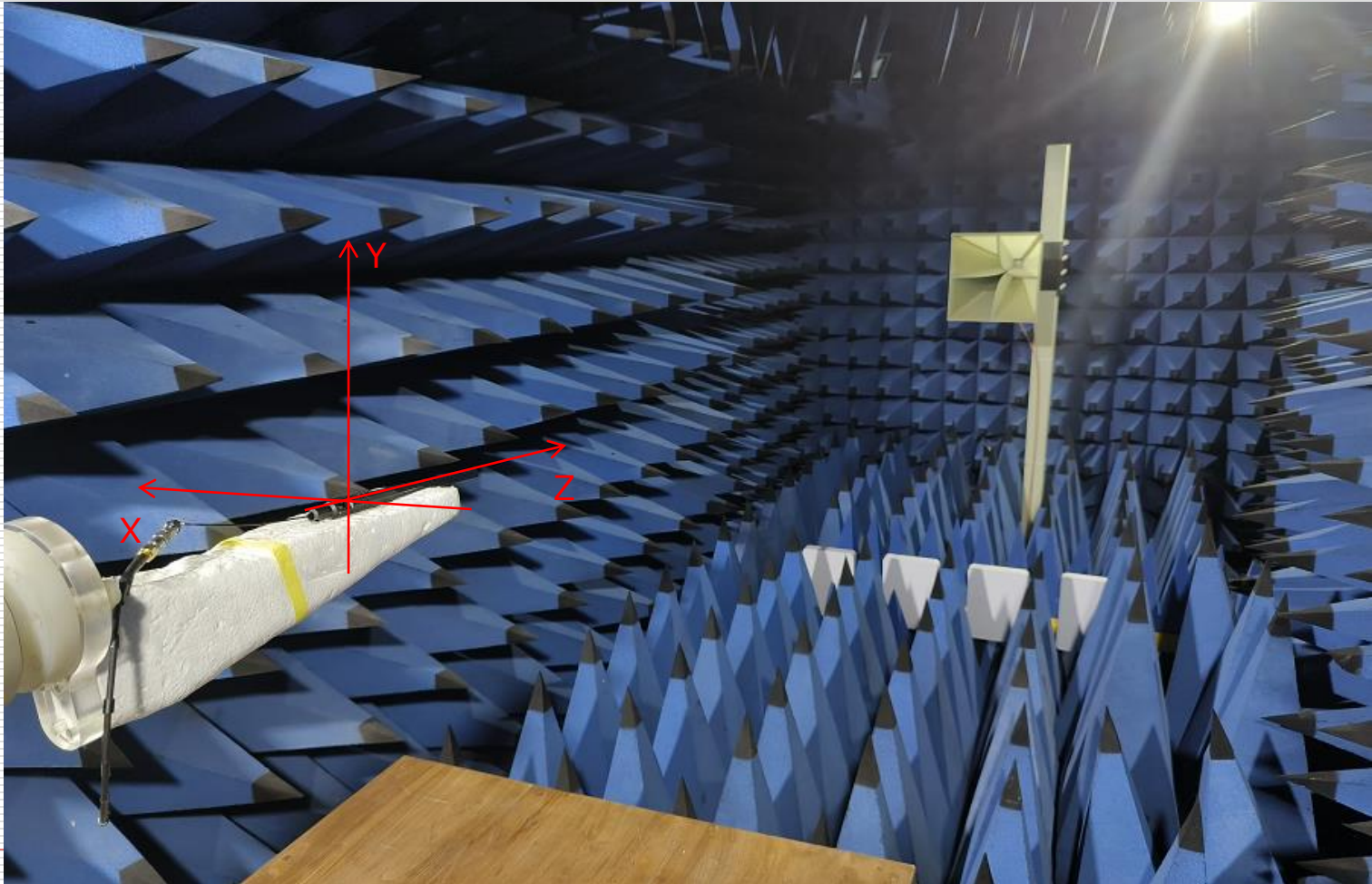
Electromagnetic Shield: ≥ 100 dB

Test Tolerance : ± 0.5 dB

Test Project:

- 700MHz-6GHz Passive Test
- 2G/3G/4G OTA Test

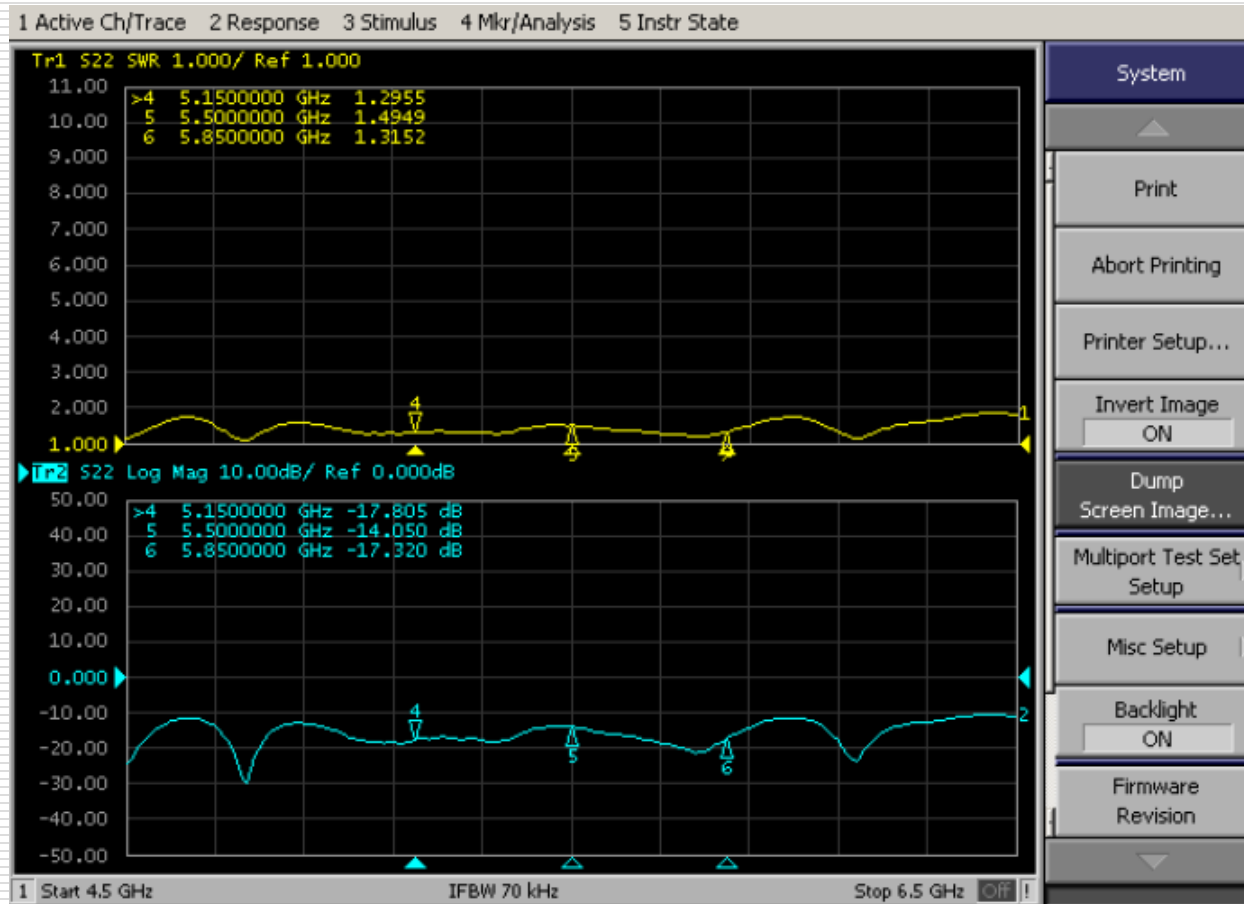
2. Testing Picture



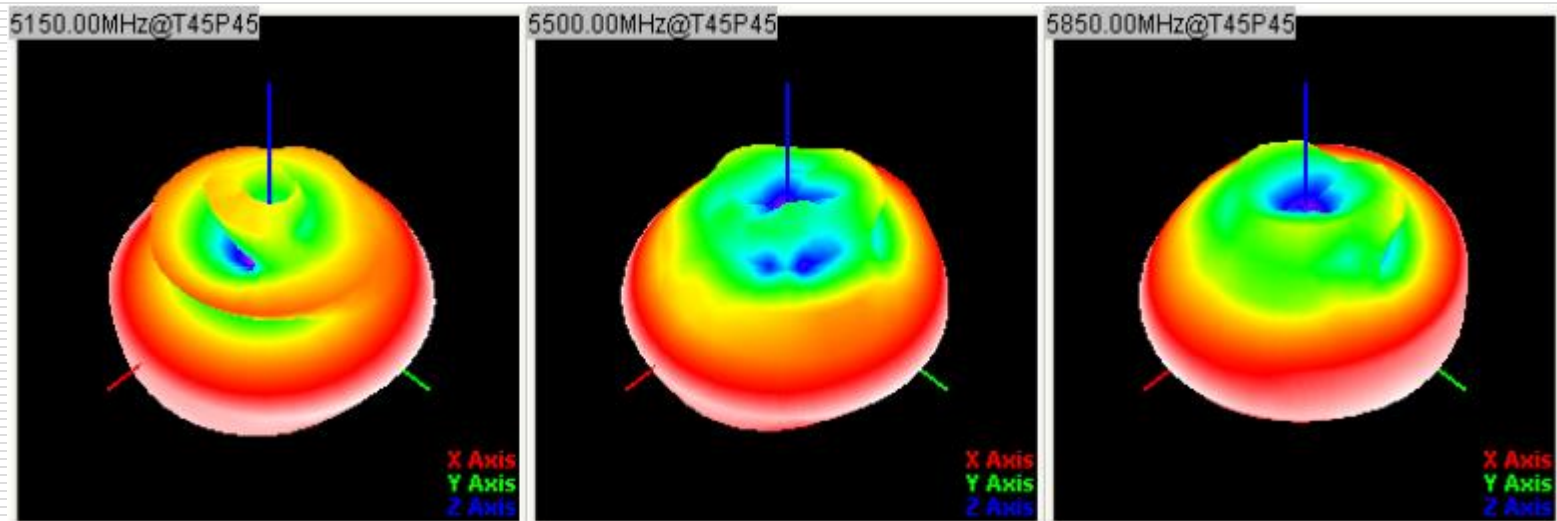
3. Testing Data

Frequency(MHz)	5150MHz	5500MHz	5850MHz
Peak Gain(dBi)	4.69	4.67	4.82
Efficiency(%)	66.60	75.10	69.40

3.1.1 VSWR Test



3.2.1 3D_Radiation Pattern

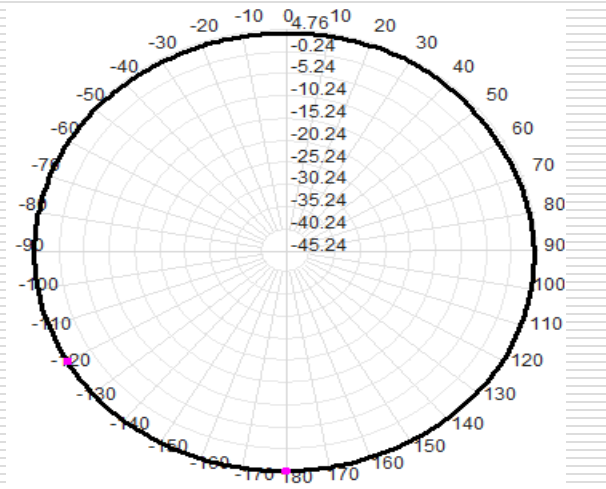


5150MHz

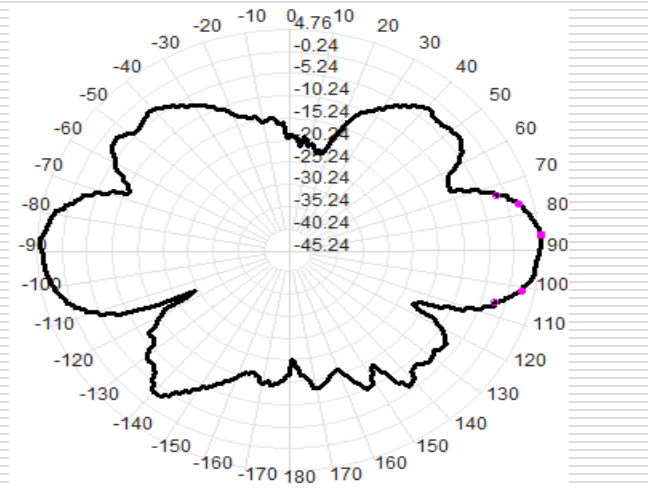
5500MHz

5850MHz

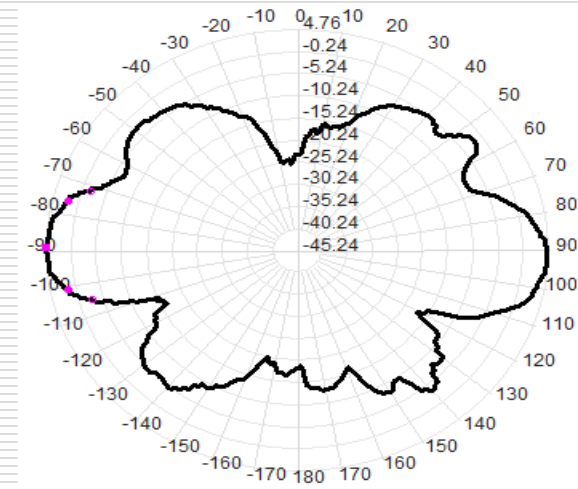
3.2.2 2D_Radiation Pattern



XY_Plane



XZ_Plane



YZ_Plane

5500MHz
