



2. 4G Antenna Testing Parameters

● Pro No: AN2400-50F060G-
B/2.15.5.00071

● Versions: V1.0

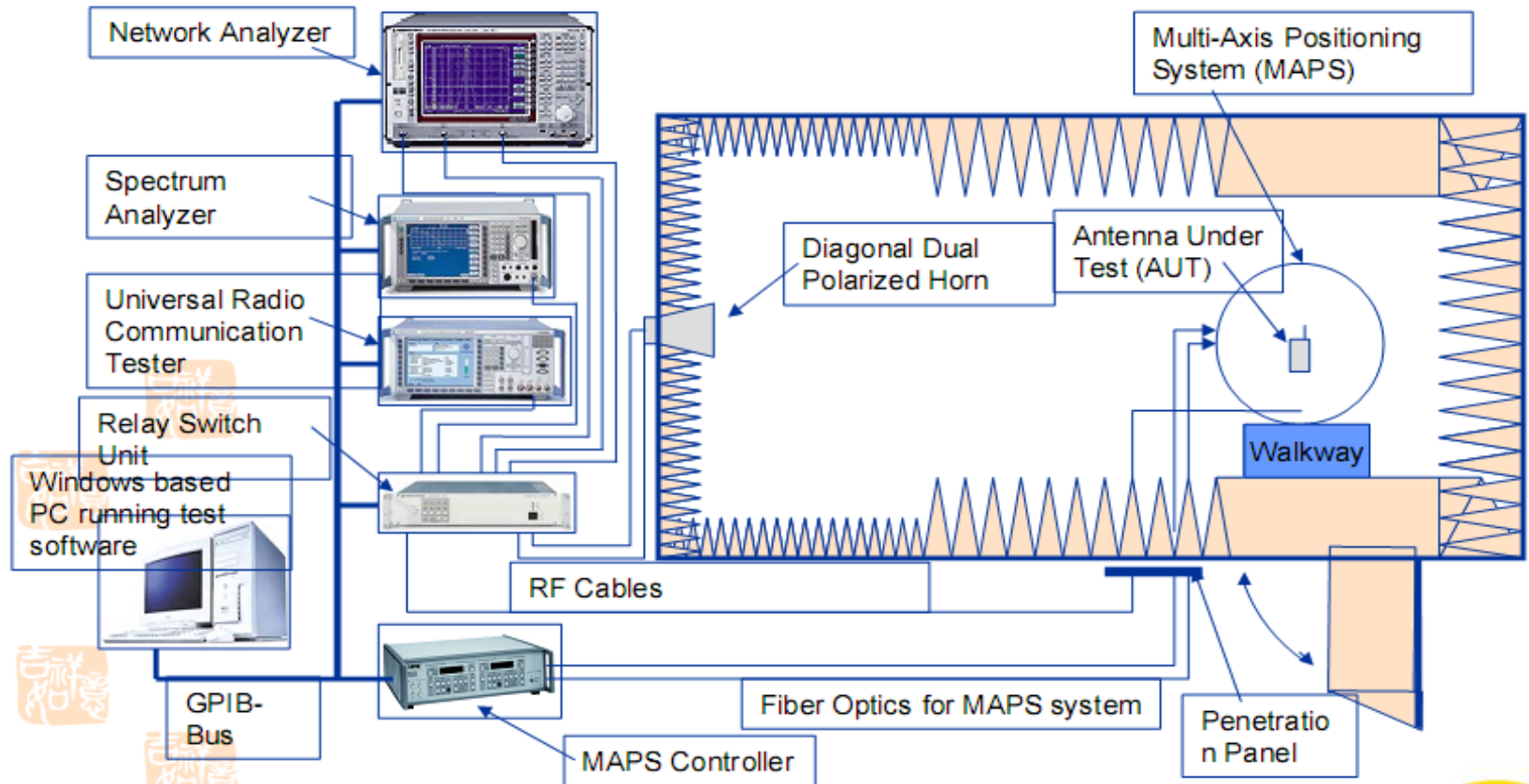
● Antenna Specification:
2400-2500MHz 5dBi

● Prepare by: YuanChaoXu

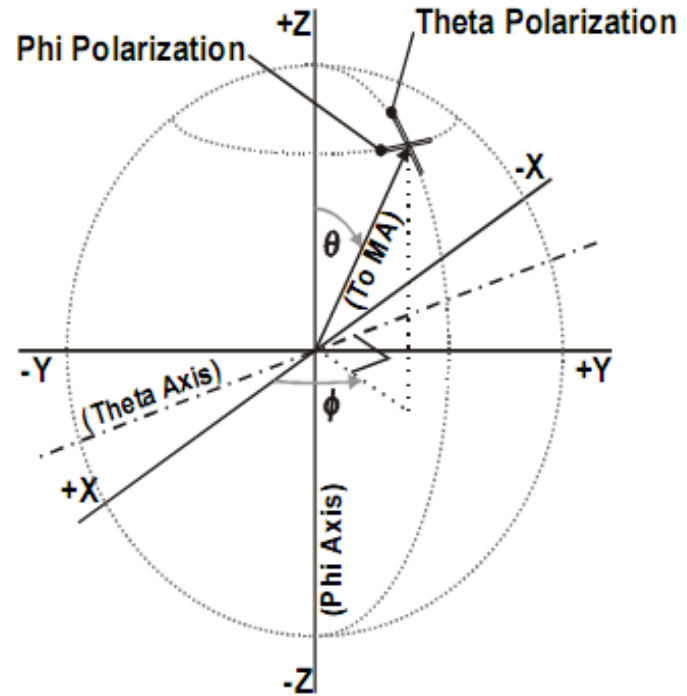
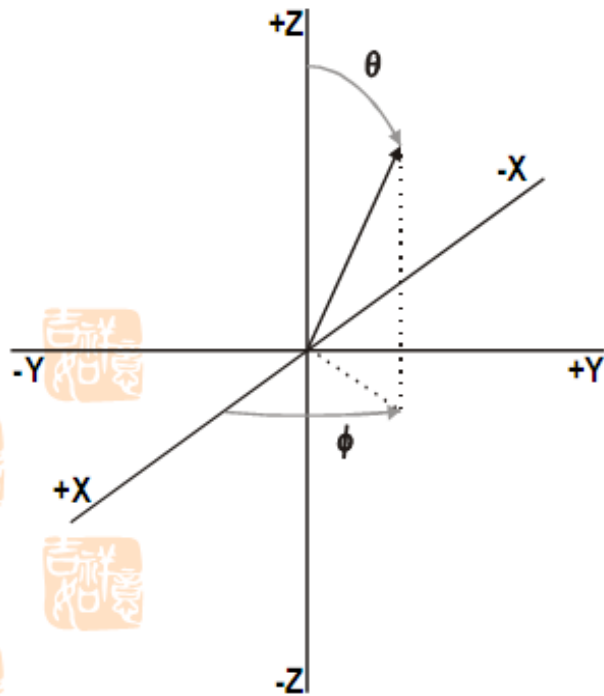
● Test Equipment:
Fully Anechoic Chamber/Aglient
E5071C

● Approve by: Wei Jia

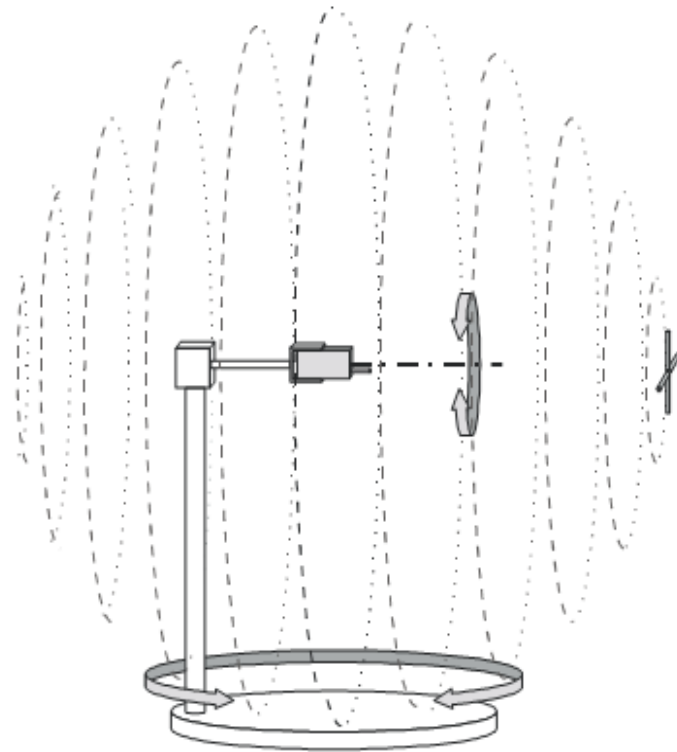
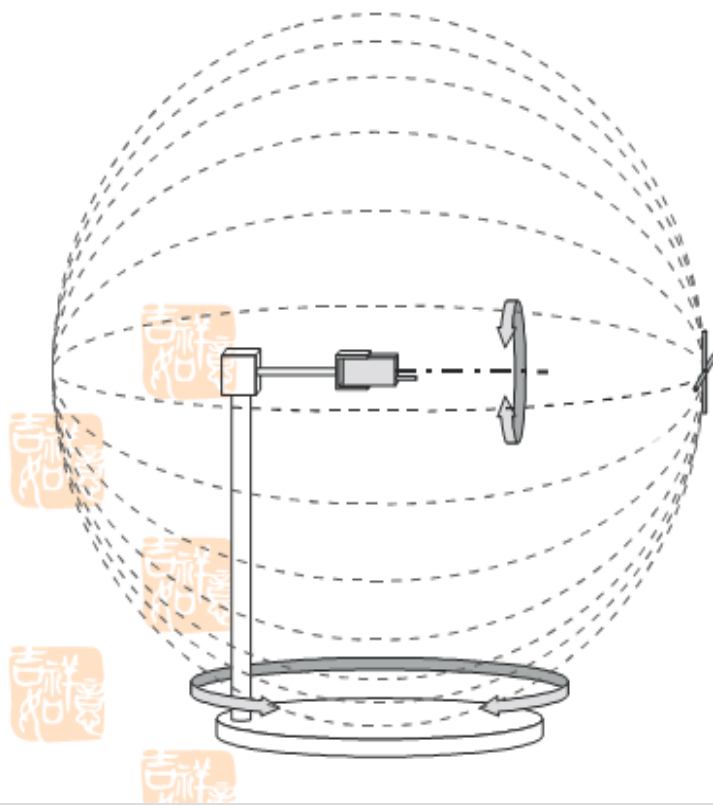
1. CTIA OTA Test System



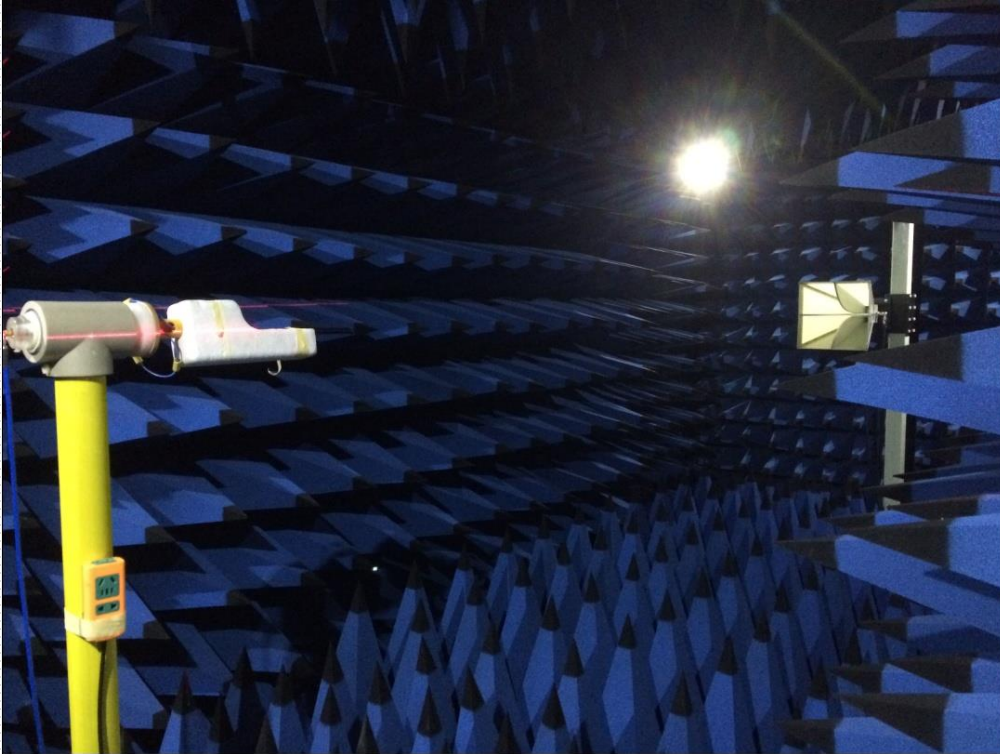
1.1 Test Coordinates



1.2 Turntable



1.3 ETS Test System In TengXiang



Size:7m*3m*3m

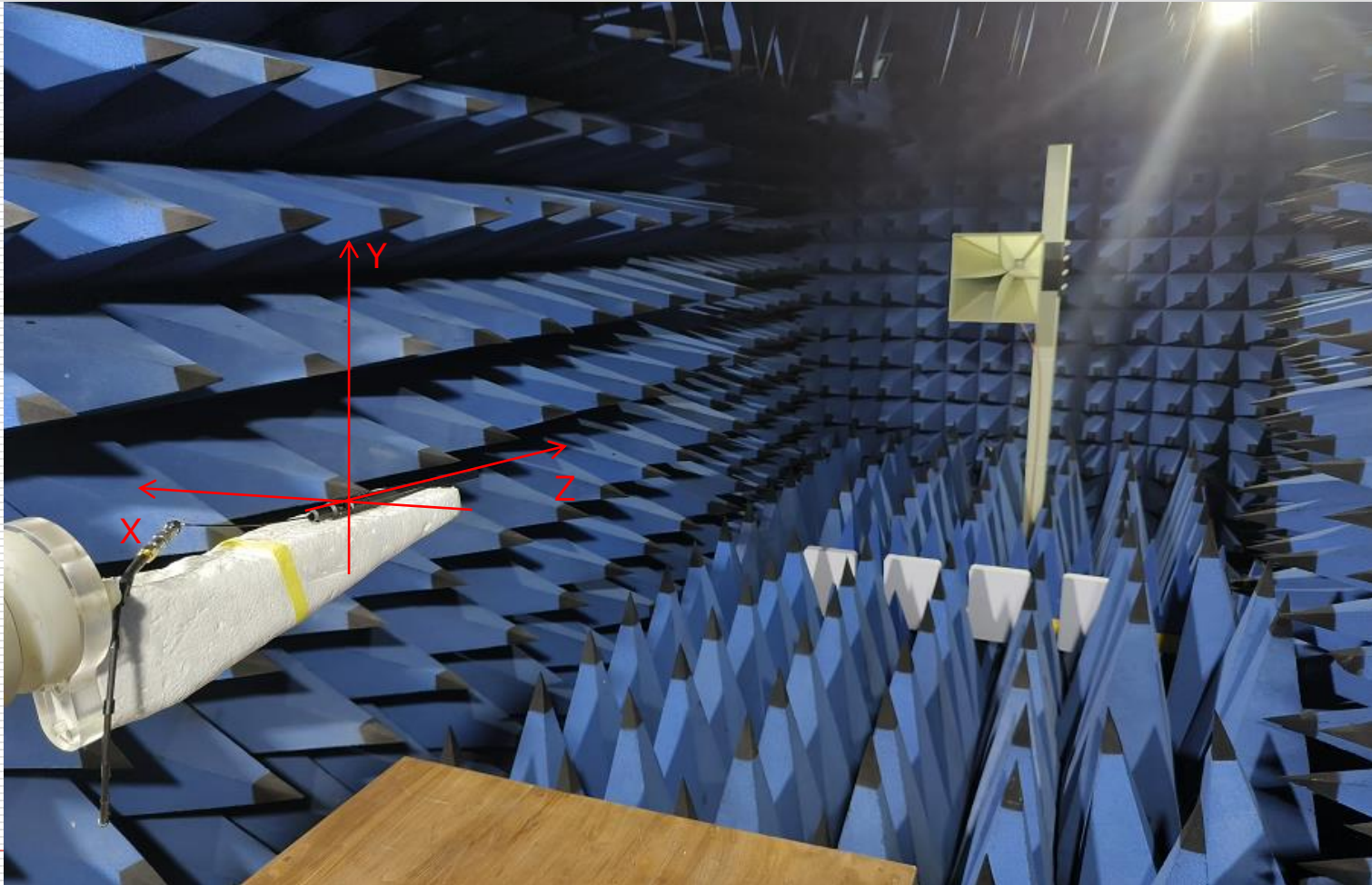
Electromagnetic Shield: ≥ 100 dB

Test Tolerance : ± 0.5 dBi

Test Project:

- 700MHz-6GHz Passive Test
 - 2G/3G/4G OTA Test
-

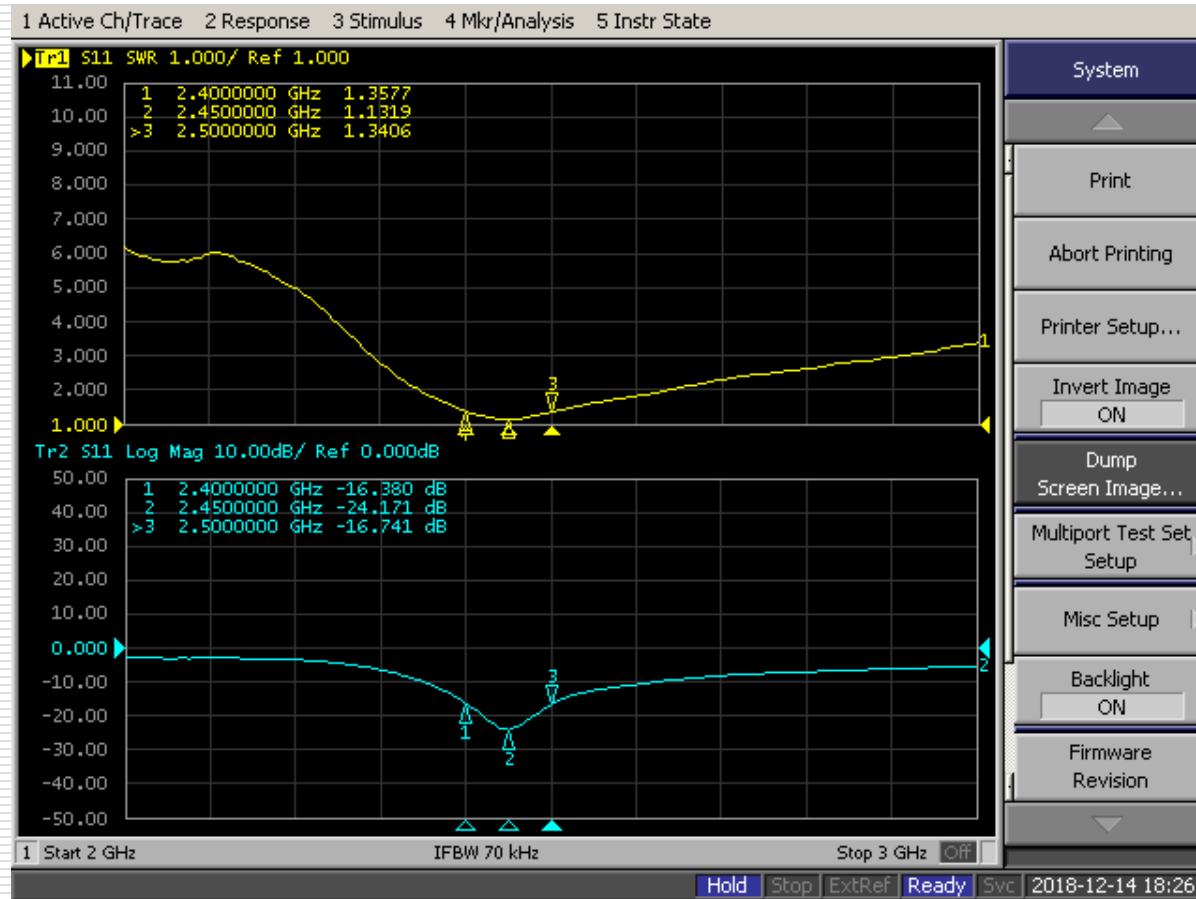
2. Testing Picture



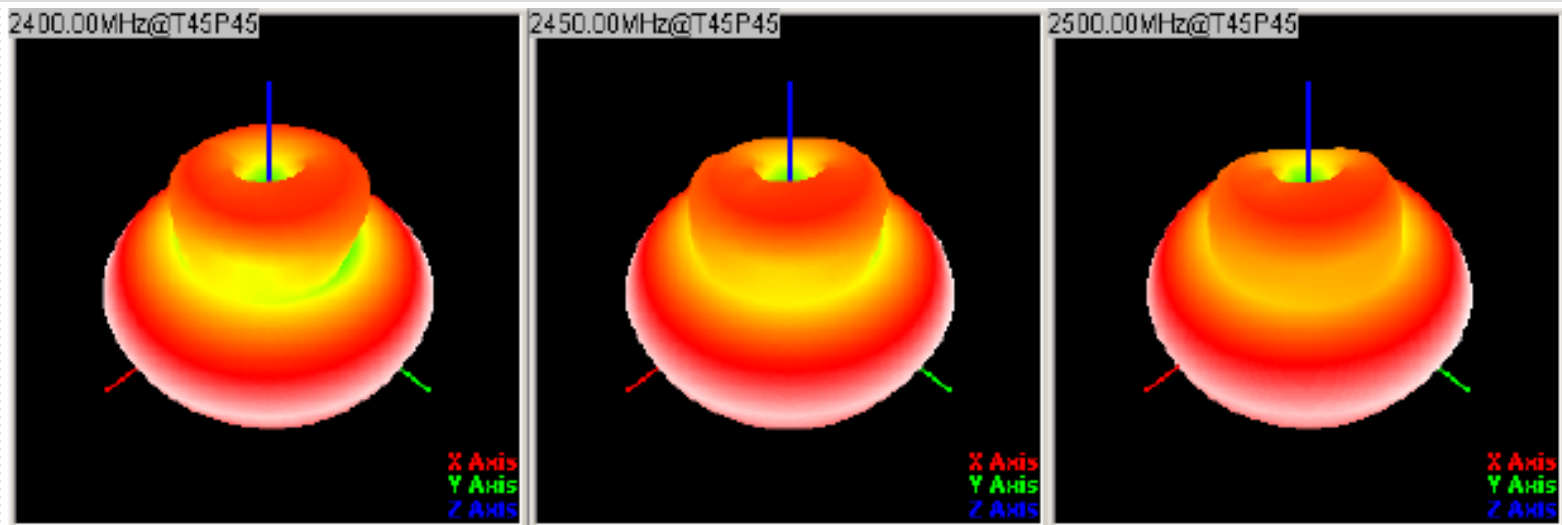
3. Testing Data

Frequency(MHz)	2400MHz	2450MHz	2500MHz
Peak Gain(dBi)	4.25	4.62	4.32
Efficiency(%)	77.90	75.10	75.00

3.1.1 VSWR Test



3.2.1 3D_Radiation Pattern

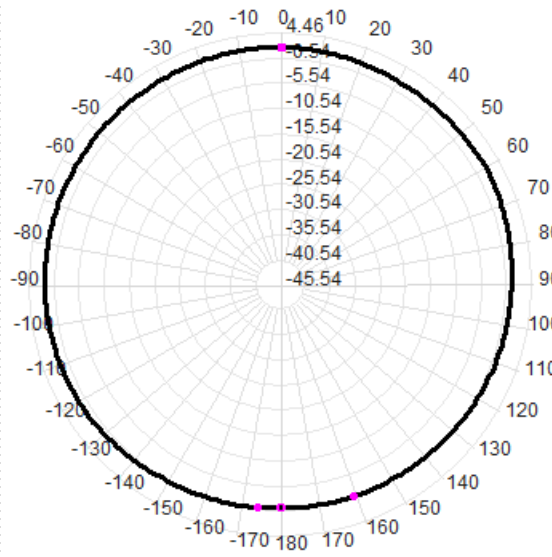


2400MHz

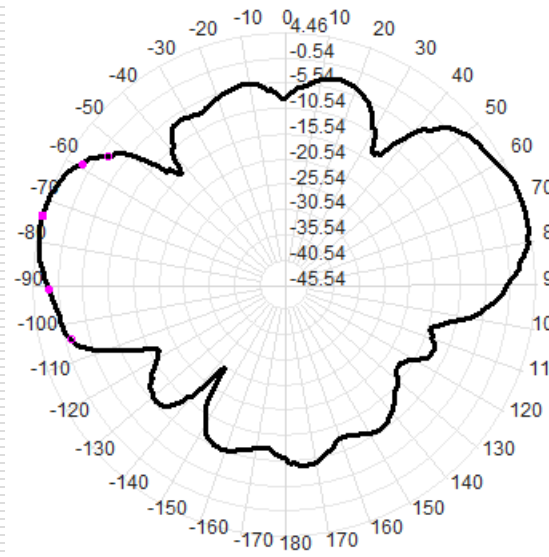
2450MHz

2500MHz

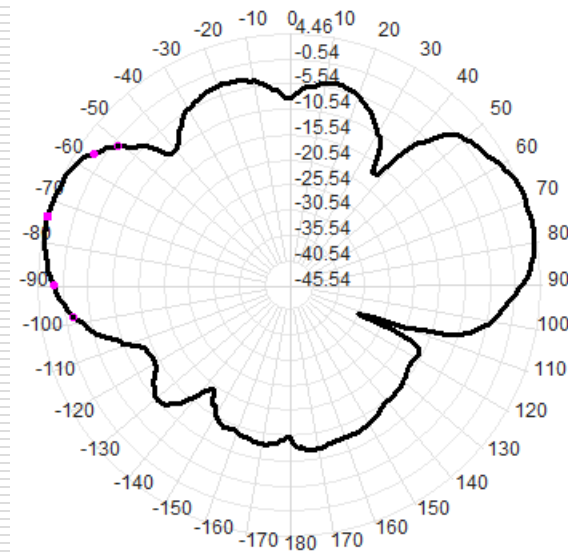
3.2.2 2D_Radiation Pattern



XY_Plane



XZ_Plane



YZ_Plane

2450MHz
