

Title :

Information Document

NO. :

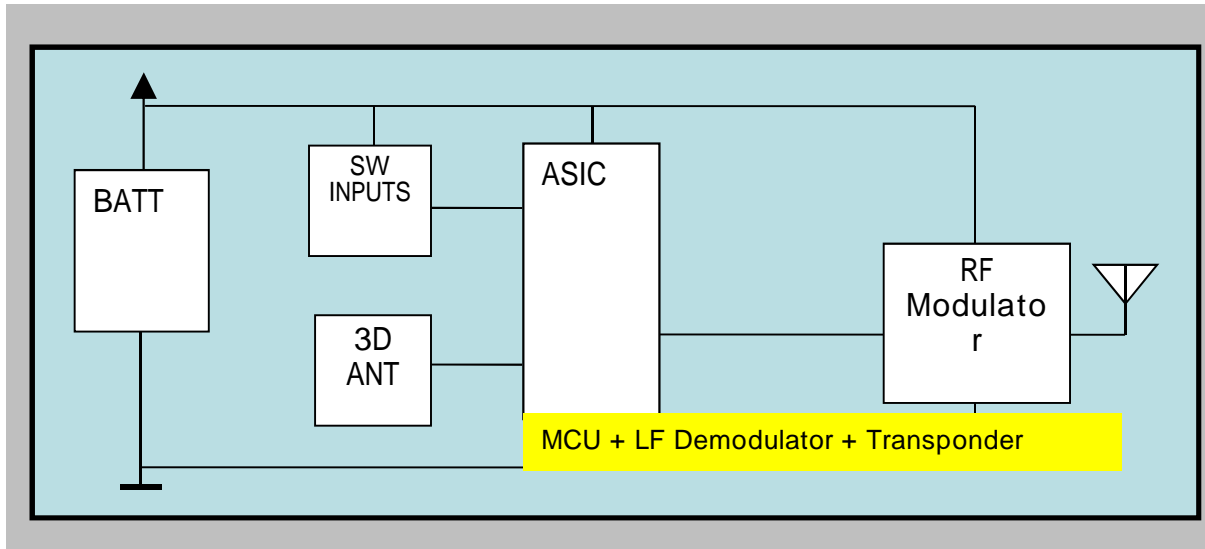
Date : 11. May. 2016

2. USER MANUAL

2.1 Operation summary

2.1.1 Fob Key

It has the functions for passive entry and passive start including the previous RKE functions



2.1.2 Immobilizer & SSB(StartStopButton) Function

Fob Key has the TP for emergency authentication for passive start.

It's a button to control engine start including power transition according to each terminal status

To indicate terminal status, two LEDs for backlight and one for text illumination are used

It also has TP coil to take action for emergency.

