

적용차종 P2980 FOB 4BT		페이지(SHT/SHTS) 1/11
-----------------------	--	-----------------------

작성처 Wireless Design TEAM	INFORMATION DOCUMENT NO.	
--------------------------------	--------------------------	--

Title : RELATING TO CE TYPE-APPROVAL
AS SEPARATE TECHNICAL UNIT
OF VEHICLE RF REMOTE KEYLESS ENTRY IN SMART KEY SYSTEM

목차

Information Document	(5 sheets: Include cover)
Attachment 1 – System diagram	(1 sheet)
Attachment 2 – Fob block diagram	(1 sheet)
Attachment 3 – Schematic of fob	(Each 1 sheet)
Attachment 4 – Layout of fob	(1 sheet)
Attachment 5 – Part List	(1 sheet)

	신규 작성	전 PAGE	2020.12.14	강진영	
부호	변경 내역	관련 PAGE	개정일자	작성자	
제정일자 2020. 01. 29	참고자료	구분	작성	검 토	승 인
		결			
		재			

Title :

Information Document

NO.

Date

SHT/SHTS : 2/11

0. GENERAL

0.1. Maker

MOBASE ELECTRONICS Co.,Ltd.

0.2. Model No.

- Transmitter : FOB

- Receiver : SCIM

0.3. Name and address of manufacturer

MOBASE ELECTRONICS Co.,Ltd.

100, Saneop-ro 156beon-gil, Gwonseon-gu, Suwon-si, Gyeonggi-do, Republic of Kor

0.4. Address of assembly plant

MOBASE ELECTRONICS Co.,Ltd.

100, Saneop-ro 156beon-gil, Gwonseon-gu, Suwon-si, Gyeonggi-do, Republic of Kor

Title :

Information Document

NO.

Date

SHT/SHTS : 3/11

2. PRODUCT SPECIFICATION

2.1 Scope of RKE, passive entry control, passive start control in SMART Key system.

2.1.1 FOB KEY : It has the functions for passive entry and passive start including RKE functions. It also has the TP for emergency authentication for passive start

2.1.2 SMART Key system : It is an ECU to control the whole smart key system. It has the functions such as passive entry control, passive start control, RKE functions.

2.2 SPECIFICATIONS

2.2.1 FOB KEY

ITEM	SPECIFICATION
Rated supply voltage	DC 3V
Operating voltage range	DC 2.5 ~ 3.2V
Operating temperature range	- 10 ~ + 60℃ with Battery
Storage temperature range	- 40 ~ + 85℃ without Battery
Modulation	FSK
Frequency	433.92MHz
Code	Rolling Code(Hopping Algorithm)
Electric field strength	10mW (433.92MHz)
Battery life	2 Year(10Times/Day)(Lithium 3V 1EA)

2.2.2 RECEIVER

Item	Specification
Rated Supply Voltage	DC 12V
Operating Voltage	DC 9 ~ 16V
Operating Temperature	- 30 ~ + 80℃
Max Humidity	95%
Standby Current	Below than 5.5mA (in alarm setting condition)

Title :

Information Document

NO.

Date

SHT/SHTS : 4/11

2.3 Operating summary

-RKE

- ① TRANSMITTER's button is pushed.
- ② TRANSMITTER sends the code by radio frequency.
- ③ RECEIVER gets the code and decodes it.
- ④ RECEIVER judges the code whether it is right code or not.
- ⑤ RECEIVER checks door lock or unlock, trunk state.
- ⑥ RECEIVER drives the actuator.

- Passive Start

- ① the SSB button of SCIM is pressed to start the engine.
- ② The indoor ANT of the car transmits the code via the Low Frequency.
- ③ Fob(receiver) decrypts the received code from SCIM.
- ④ Fob transmits the code via radio frequency.
- ⑤ SCIM should check the boot state.
- ⑥ SCIM controls a start-up operation and the transition of supply power.

2.3.1 LOCK & UNLOCK

- ① If LOCK or UNLOCK button is pushed for less than 1 sec, then TRANSMITTER sends the LOCK or UNLOCK DATA.
- ② If TRUNK button is pushed for more than 1 sec, then TRANSMITTER sends the TRUNK DATA.

2.4 Caution

- ① Danger of explosion if battery is incorrectly replaced.
- ② Replace only with the same or equivalent type recommended by the manufacturer.
- ③ Dispose of used batteries according to the manufacturer's instructions.

Title :

Information Document

NO.

Date

SHT/SHTS : 5/11

3. USER MANUAL

3.1 ITEM : FOB LF system

- This system is SCIM and includes RKE.
- RKE in SMK system is intended for auto door lock or unlock or TRUNK in vehicle.
- This SMK system is to be installed on motor vehicles as *OE item.

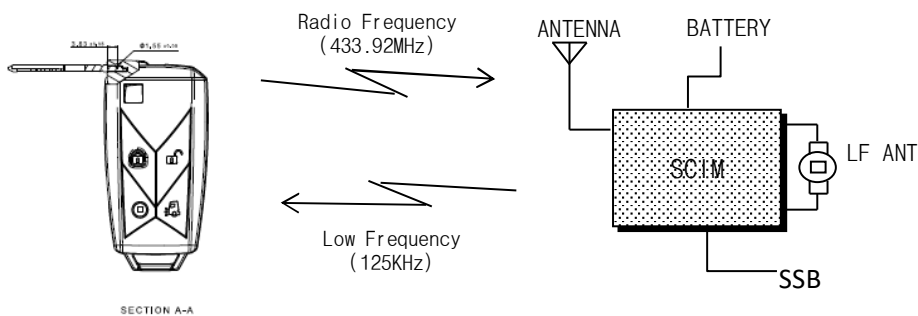
*OE : Original Equipment.

*SCIM : Integrated Body control Unit

*RKE : Remote Keyless Entry.

3.2 SYSTEM CONSTRUCTION

3.2.1 SYSTEM IN VEHICLE



- ① When the lamp of "B+" is 'On', it means that power is supplied.
- ② When the SSB is pressed in position of INT1 ANT Switch on, it means a start-up function that ACC_RLY and IGN1_RLY lamp is 'On'(SSB_SW1, SW_2 'On').
- ③ When the SSB is pressed repeatedly, ACC_RLY and IGN1_RLY is 'On' and 'Off', repeatedly.
* It shows the status of operation through the lamp used.



FCC Information to User

This equipment has been tested and found to comply with the limits for a Class B digital device, pursuant to Part 15 of the FCC Rules. These limits are designed to provide reasonable protection against harmful interference in a residential installation. This equipment generates, uses and can radiate radio frequency energy and, if not installed and used in accordance with the instructions, may cause harmful interference to radio communications. However, there is no guarantee that interference will not occur in a particular installation. If this equipment does cause harmful interference to radio or television reception, which can be determined by turning the equipment off and on, the user is encouraged to try to correct the interference by one of the following measures:

- Reorient or relocate the receiving antenna.
- Increase the separation between the equipment and receiver.
- Connect the equipment into an outlet on a circuit different from that to which the receiver is connected.
- Consult the dealer or an experienced radio/TV technician for help.

Caution

Modifications not expressly approved by the party responsible for compliance could void the user's authority to operate the equipment.

FCC Compliance Information : This device complies with Part 15 of the FCC Rules. Operation is subject to the following two conditions: (1) This device may not cause harmful interference, and (2) this device must accept any interference received, including interference that may cause undesired operation

IMPORTANT NOTE:

FCC RF Radiation Exposure Statement:

EAC

XXXXXXXXXXXXXXXXXXXX
XXXXXXXXXXXXXXXXXXXX



XXXXXXXXXXXXXXXXXXXX

NCC: XXXXXXXXXXXXXXXXXXXX

XXXXXX
XXXX



FCC ID: NYOMBECFOB2106

MODEL: MBECFOB2106

MOBASE ELECTRONICS/KOREA

