



# MANUAL

# RC4 PRO

# TRANSPONDER



CAN BE USED FOR

**EXPERIENCE PROGRESS**

Published by:  
MYLAPS B.V.  
Zuiderhoutlaan 4  
2012 PJ Haarlem  
The Netherlands

Copyright © 2018 No part of this document may be reproduced by any means without the written consent of the publisher. Whilst every care has been taken to ensure that the information in this document is correct, no liability can be accepted by MYLAPS for loss, damage or injury caused by any errors or omissions in this document. The sale of products, services of goods governed under this publication are covered by MYLAPS's standard Terms and Conditions of Sales. This product publication is provided solely for informational purposes.

All hardware and software product names used in this document are likely to be registered trademarks and must be treated accordingly.

#### Manual revision history

Version	Date	Amendments
---------	------	------------

Version 1.0	November 2018	First manual – new product
-------------	---------------	----------------------------

## 1. How to use this manual



### Search for Keywords

Search for keywords such as “decoder or installation” to find a topic. Press Ctrl+F on Windows or Command+F on Mac.



### Navigate Topics

View a complete list of topics in the table of contents. Click on a topic to navigate to that section



### Printing this Document

This document supports high resolution printing.

## Legends



Hints and Tips



Important



Reference

## About this Manual

This manual is intended for operating and supervisory personnel and provides information on installing and operating the RC4 PRO Transponder.

This publication has been written with great care. However, the manufacturer cannot be held responsible, either for any errors occurring in this publication or for their consequences.

The sale of products, services of goods governed under this publication are covered by MYLAPS 's standard Terms and Conditions of Sales and this product manual is provided solely for informational purposes. This publication is to be used for the standard model of the product type given on the cover page.



This device complies with part 15 of the FCC rules. Operation is subject to the following two conditions:

- (1) This device may not cause harmful interference
- (2) This device must accept any interference received, including interference cause undesired operation.

Warning (part 15.21)

Changes or modifications not expressly approved by the party responsible for compliance could void the users' authority to operate the equipment.



This device complies with the EMC directive 2004/108/EC and RTTE directive 1999/5/EC. A copy of the declaration of conformity can be obtained at:

MYLAPS B.V.  
Zuiderhoutlaan 4  
2012 PJ Haarlem  
The Netherlands



RoHS Compliant

This equipment has been tested and found to comply with the limits for RoHS compliant materials. These limits require manufacturers to ensure that they do not use materials or components that contain restricted substances that may be harmful to the environment.

## Contents


1. How to use this manual .....	3
Legends.....	3
About this Manual.....	3
Contents.....	5
2. General .....	6
2.1. What is in the box.....	7
2.2. Specifications.....	7
3. How to use RC4 PRO Transponder.....	8
Mounting .....	8
Polarity .....	9
Flashing LED.....	9
Support.....	10
CE Declaration of Conformity MYLAPS RC4 PRO Transponder .....	11

## 2. General

Our RC transponders help you to track lap times and give better insights in your performance. You install the transponder in your RC car. If you race with multiple RC cars it is convenient to install a transponder in every car. A transponder has a seven-digit number. If you change you register your transponders in your account and choose a nick name, all transponders will have the same name on the scoreboard.

- The RC4 PRO transponder is 25% smaller than the RC4 transponder.
- A shorter 8 cm cable ensures a perfect fit every time.
- It weights only 3 grams
- All your results in your personal profile
- RC4 transponders can be used for both indoor and outdoor racing and will perform on just about any surface.
- Only compatible with MYLAPS RC4 timing systems

## 2.1. What is in the box

	<p>10R147</p> <p>+ Piece of tape</p>
---	--------------------------------------

## 2.2. Specifications

<b>Dimensions (WxLxH):</b> 15.7x18.0x4.5 mm 0.62 x 0.71 x 0.18 in	<b>Weight:</b> 3 g
<b>Cable length:</b> 80 mm / 3.1 in	<b>Humidity:</b> Max. 90% relative
<b>Max. Speed:</b> 120 km/h / 75 mph	<b>Temperature range:</b> 0-50 °C / 32-122 F
<b>Signal transfer:</b> Magnetic induction	<b>Code resolution:</b> 1.5 ms
<b>Transponder position:</b> Max. Height 15 cm / 6 in	<b>Power:</b> Feed from free receiver channel (ch3 or 4)
<b>Connection Plug:</b> Connect using a standard Servo plug	<b>Power consumption:</b> 19mA @ 6 VDC
<b>Operating voltage:</b> 2.8 <--> 16 VDC (recommended: 3.5 <--> 12 VDC)	<b>Wire insulation:</b> Aerospace/MIL-spec high-temp PTFE (Gasoline/Nitro resistant)

Specifications are subject to change without notice.


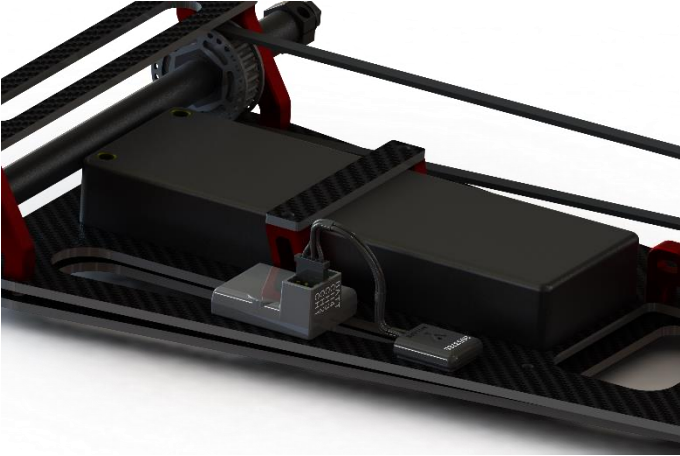
### 3. How to use RC4 PRO Transponder

Create an account or login via <account.mylaps.com>

In your account you have an overview of your transponders and your results.

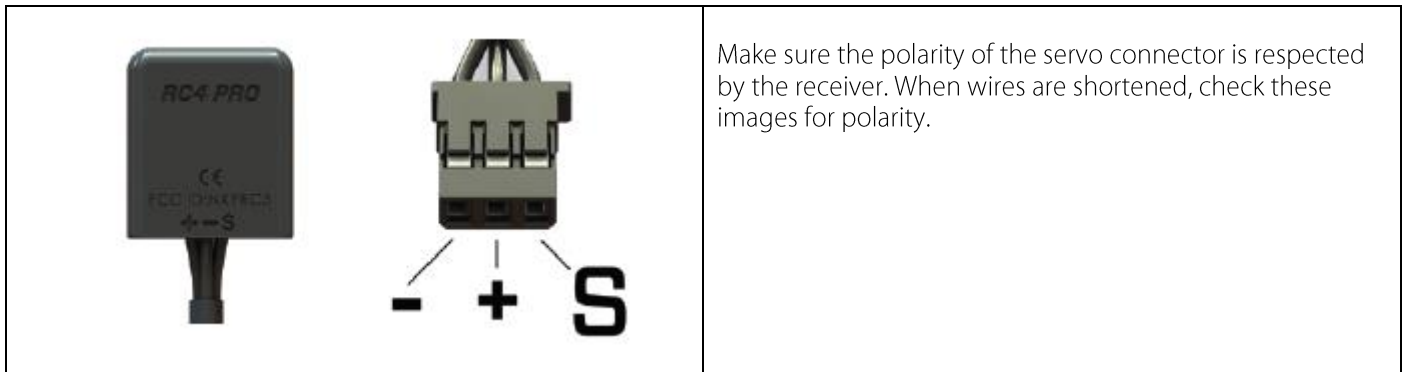
Change the nick name, so all your transponders will have all the same name.

#### Mounting

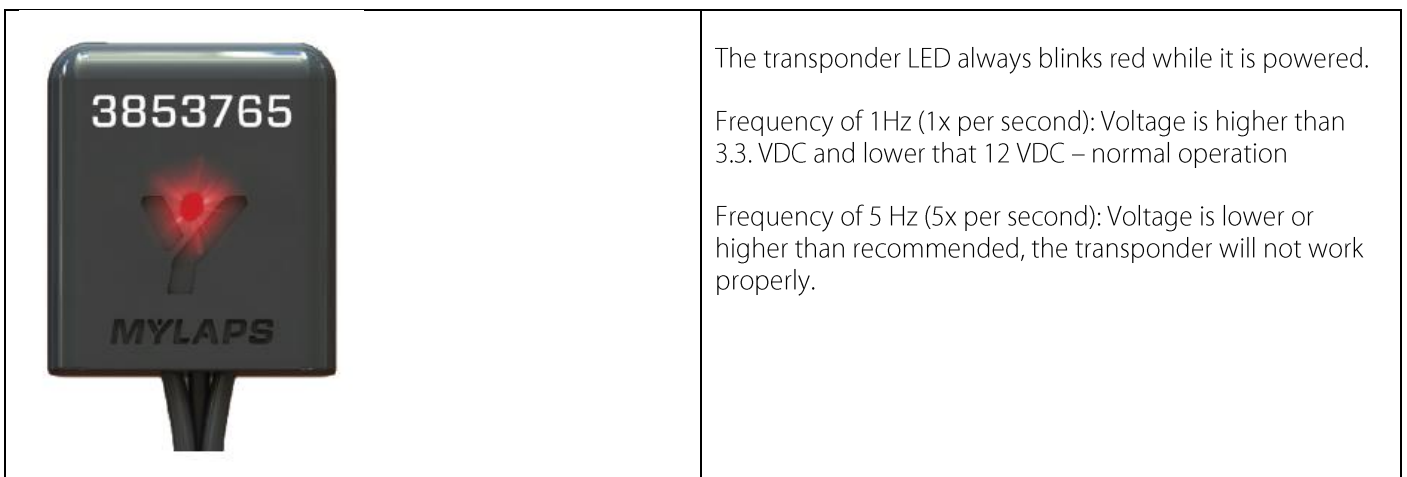
	<p>Mount the transponder horizontally (see picture). All other orientations will result in a weaker signal.</p> <p>Mount the transponder no higher than 15 cm (6 inch) from the track.</p> <p>Avoid metal or carbon fiber between car and the track.</p> <p>You can use the tape to fix your transponder.</p>
	<p>Feed from a free receiver channel (ch 3 or 4).</p> <p>Use Y splitter if this channel is not available.</p>



## Polarity



## Flashing LED



## Support

In case you encounter any issues, please contact your sales offices:

MYLAPS EMEA Office  
Haarlem, The Netherlands  
Tel: +31 23 7600100  
Email: [info@mylaps.com](mailto:info@mylaps.com)

MYLAPS Americas Office  
Atlanta, USA  
Tel: +1 678 816 4000  
Email: [info.americas@mylaps.com](mailto:info.americas@mylaps.com)

MYLAPS Japan Office  
Tokyo, Japan  
Tel: +81 3 6418 8209  
Email: [info.japan@mylaps.com](mailto:info.japan@mylaps.com)

MYLAPS APAC Office  
Sydney, Australia  
Tel: +61 2 9533 1100  
Email: [info.asia.pacific@mylaps.com](mailto:info.asia.pacific@mylaps.com)

MYLAPS Asia Office  
Selangor, Malaysia  
Tel: +60 3 5613 1235  
Email: [info.asia@mylaps.com](mailto:info.asia@mylaps.com)

Our Frequently Asked Questions (FAQ) can be found on [help.mylaps.com](http://help.mylaps.com)

**CE Declaration of Conformity MYLAPS RC4 PRO Transponder**

We,

MYLAPS  
Zuiderhoutlaan 4  
2012 PJ Haarlem  
The Netherlands

Declare that the RF transponder

MYLAPS RC4 PRO Transponder

In accordance with the following directives:

in accordance with the following Directives:

2014 / 53 / EU	The Radio Equipment Directive (RED);
2011 / 65 / EU	The restriction of the use of certain hazardous substances in electrical and electronic equipment Directive (ROHS)

has been designed and manufactured to the following specifications:

EN 300 330-2 (2015)  
EN 301 489-1 (2011)  
EN 301 489-3 (2013)

I hereby declare that the product named above is designed to comply with the relevant sections of the above referenced specifications, and all essential requirements of the Directives.

Name of authorized person:	John Verwoerd
Function of authorized person:	R & D Director
Place and Date:	Haarlem, November, 2018

Signature of authorized person:

