

5.6 SLG 42

Application area

The SLG 42 is a middle-of-the-line read/write device. With its larger antenna, the SLG 42 generates a much larger field than the SLG 41, and a greater range can be achieved with the same data memories. In dynamic operation, larger amounts of data can be read from and written to the MDS. See chapter 3.4.



Figure 5-23 SLG 42 read/write device

Ordering data

Table 5-14 Ordering data for SLG 42

Read/write device SLG 42 up to 70 mm (medium power)	6GT2 001-0BA00
SLG plug connector and stub lines	See chapter 3.10

Technical data

Table 5-15 Technical data of SLG 42

Inductive interface to MDS	
Data transmission speed	19200 baud
Read/write distance SLG to MDS (max.)	70 mm (see field data table)
Transmission frequency	
• Power	134 kHz
• Data	1.81 MHz
Serial interface to ASM	6-pin SLG plug connector in acc. w. DIN 43651
Transmission speed	19200 baud, RS 422
Line length, ASM to SLG (max.) at 24 V DC	120 m
Supply voltage (via serial interface)	
Nominal value	24 V DC
Permissible range	20 to 30 V DC
Current consumption	
Idle/operation	60 mA/180 mA
MTBF	2×10^6

Table 5-15 Technical data of SLG 42

Housing	
Dimensions in mm (W x H x D)	75 x 40 x 75
Color	Gray
Material	Polyamide 12
Plug connection	DIN 43651
Protection rating	IP65
Shock	50 g
Vibration	20 g
Mounting of SLG	4 M5 screws
Turning moment (at room temperature)	≤ 2 Nm
Ambient temperature	
During operation	-25° to +70° C
During transportation and storage	-40° to +85° C
Weight (approx.)	250 g
Silicon free	Yes

Field data

The exact field data depend on the type of MDS used.

Table 5-16 Field data of SLG 42

Operating distance (S _a)	0 to 55 mm
Limit distance (S _g)	70 mm
Median deviation (L)	Depends on MDS
Minimum distance from SLG to SLG (D)	> 800 mm

FCC information

<p>Made in Germany SIEMENS MOBY I SLG 42</p> <p>THIS DEVICE COMPLIES WITH PART 15 OF THE FCC RULES. OPERATION IS SUBJECT TO THE FOLLOWING TWO CONDITIONS:</p> <p>(1) THIS DEVICE MAY NOT CAUSE HARMFUL INTERFERENCE, AND (2) THIS DEVICE MUST ACCEPT ANY INTERFERENCE RECEIVED, INCLUDING INTERFERENCE THAT MAY CAUSE UNDESIREED OPERATION.</p>
--

Caution

Transmission window

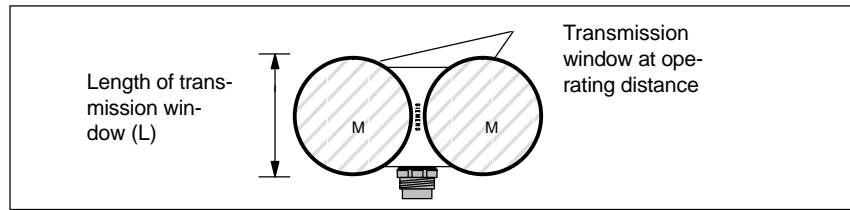


Figure 5-24 Transmission window of SLG 42

Metal-free space

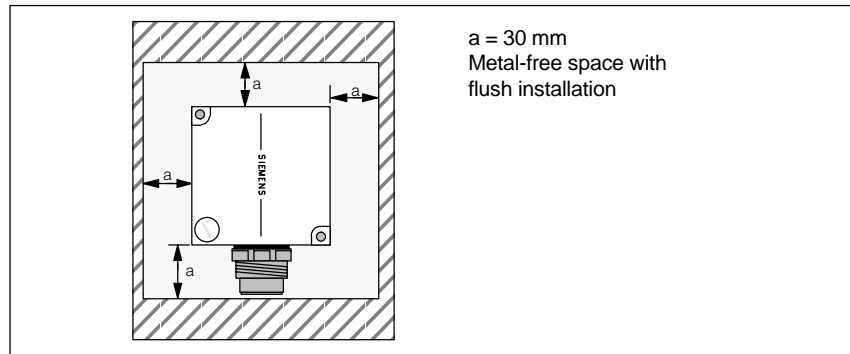


Figure 5-25 Metal-free space for SLG 42

Definition of distance D

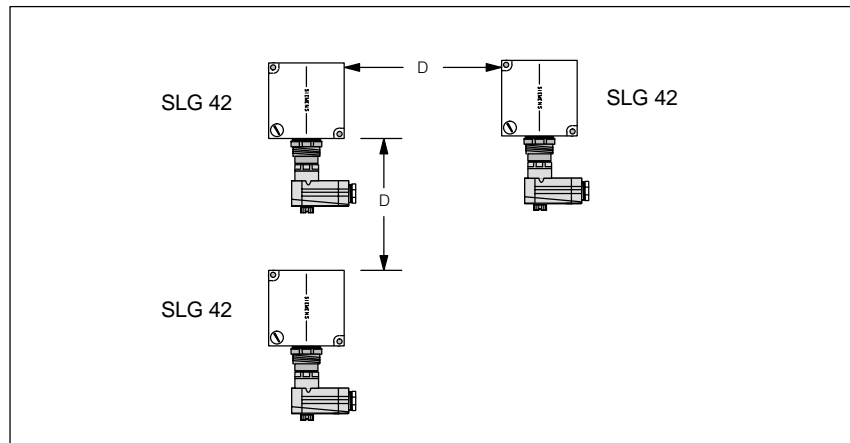


Figure 5-26 Distance D: SLG 42

**Dimensions
(in mm)**

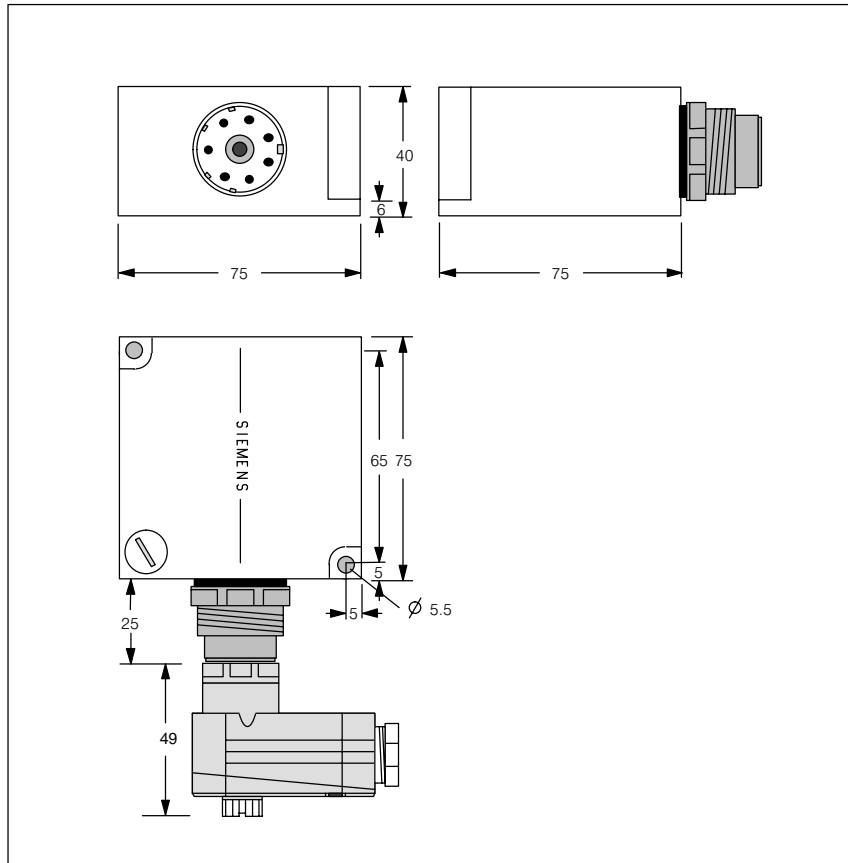


Figure 5-27 Dimensional diagram of SLG 42