

5.3 SLG 40-S

Application area

The SLG 40 is extremely suited to use in small assembly lines. The short installation distance between several SLG 40-S antennas is a special feature. With the 2 screw nuts, the antenna head can be positioned with extreme precision for each application.

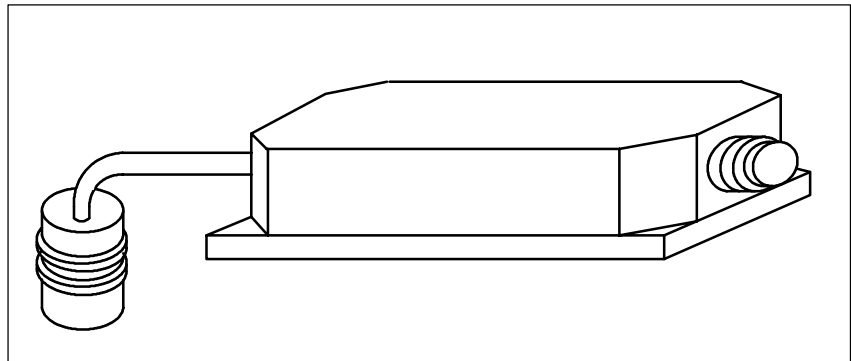


Figure 5-6 Read/write device SLG 40-S

Ordering data

Table 5-5 Ordering data for SLG 40-S

Read/write device SLG 40-S up to 8 mm (low power)	6GT2 001-0EB00
SLG plug connector and stub lines	See chapter 3.10

Technical data

Table 5-6 Technical data of SLG 40-S

Housing	
Dimensions (in mm)	
For antenna head (\varnothing x threading x L)	M18 x 1.0 x 30
For electronics w/o plug (L x W x H)	75 x 75 x 40
Color	Antenna Anthracite with orange head
	SLG housing Ergo-gray
Material	Antenna "Crastin"
	SLG housing Polyamide 12
Plug connection	DIN 43651
Protection rating	
Antenna and SLG housing	IP65
Shock	50 g
Vibration	20 g
Storage temperature	-40° to +85° C
Operation temperature	-25° to +70° C

Table 5-6 Technical data of SLG 40-S

Operating voltage	17 to 30 V DC
Current consumption	25 mA
Idle	
Operation	90 mA
Serial interface	RS 422
Transmission speed	19200 baud
Max. cable length (cf. chap. 3.10.1; standard cable)	360 m
MTBF	2×10^6
Transmission frequency	
• Power	134 kHz
• Data	1.81 MHz
Mounting of SLG	4 M5 screws
Turning moment (at room temperature)	≤ 2 Nm
Mounting of SLG head (included)	2 nuts (M18 x 1.0)
Weight (approx.)	200 g

Field data

Applicable for MDS 302

Table 5-7 Field data of SLG 40-S

Operating distance (S_a)	2 to 6 mm
Limit distance (S_g)	8 mm
Diameter of transmission window (L_d)	9 mm
Median deviation	± 4.5 mm from middle
Minimum distance from SLG to SLG (D)	$D_a \geq 50$ mm
	$D_b \geq 80$ mm

Transmission window

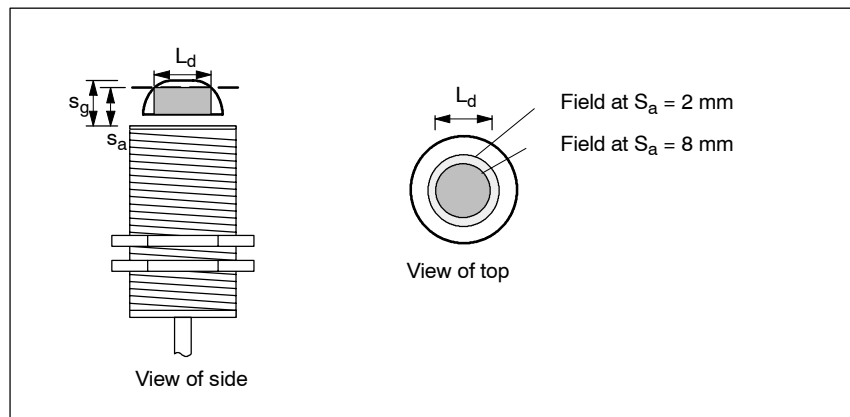


Figure 5-7 View of the antenna

Transmission window:

To ensure reliable data communication, the antenna of the MDS must be positioned within this field.

Metal-free space

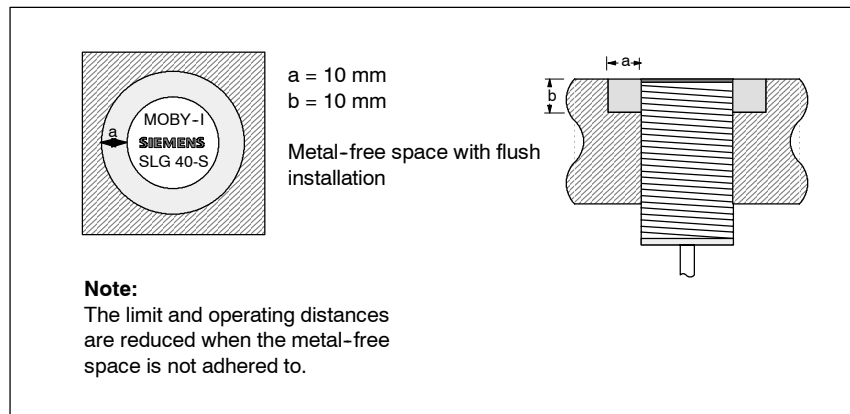


Figure 5-8 Metal-free space for SLG 40-S

Definition of distance D

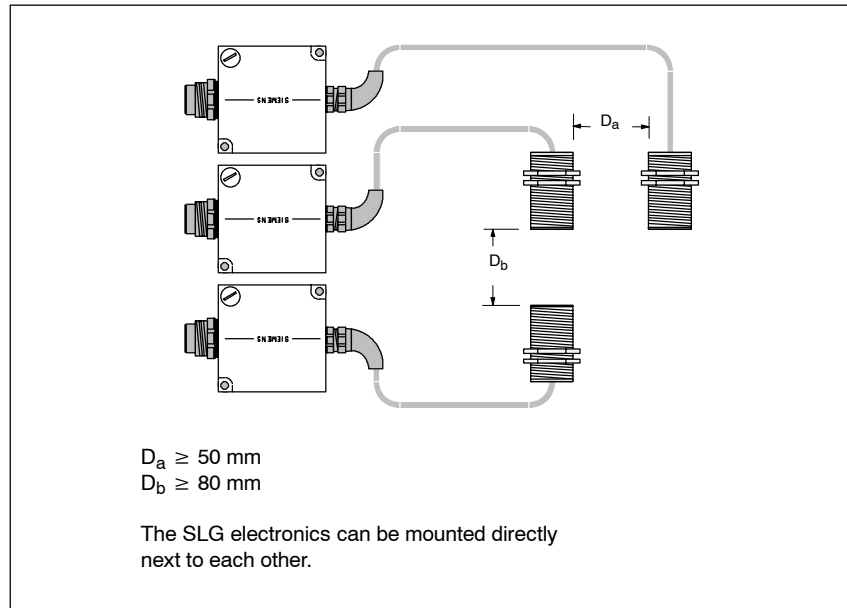


Figure 5-9 Distance D for SLG 40-S

Dimensions (in mm)

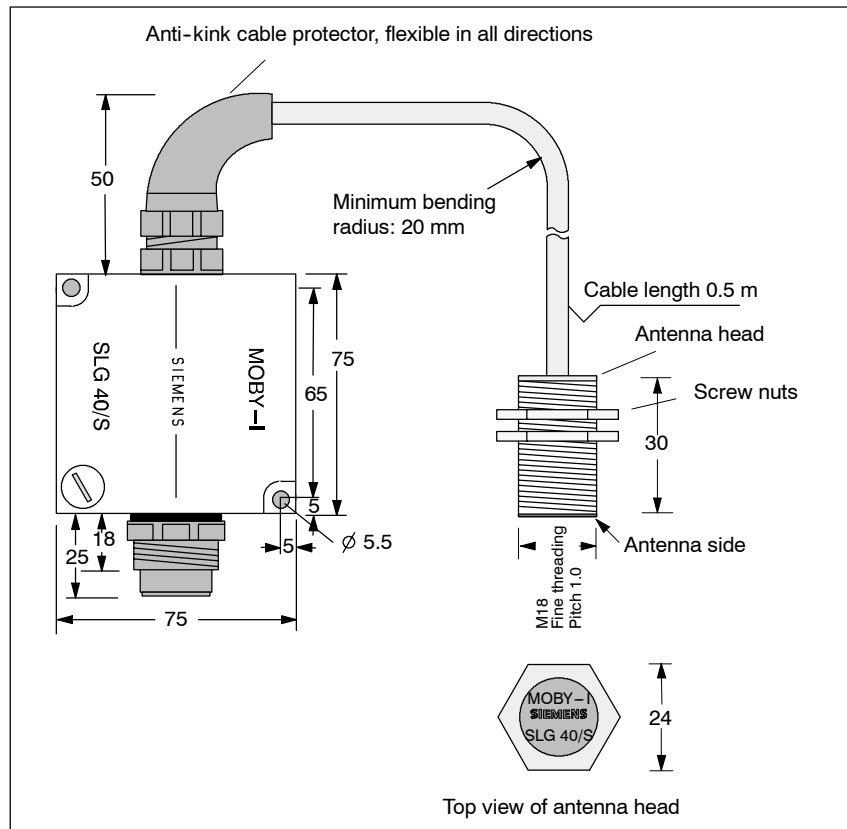


Figure 5-10 Dimensional diagram of SLG 40-S