

5.3.6 Dimension drawing

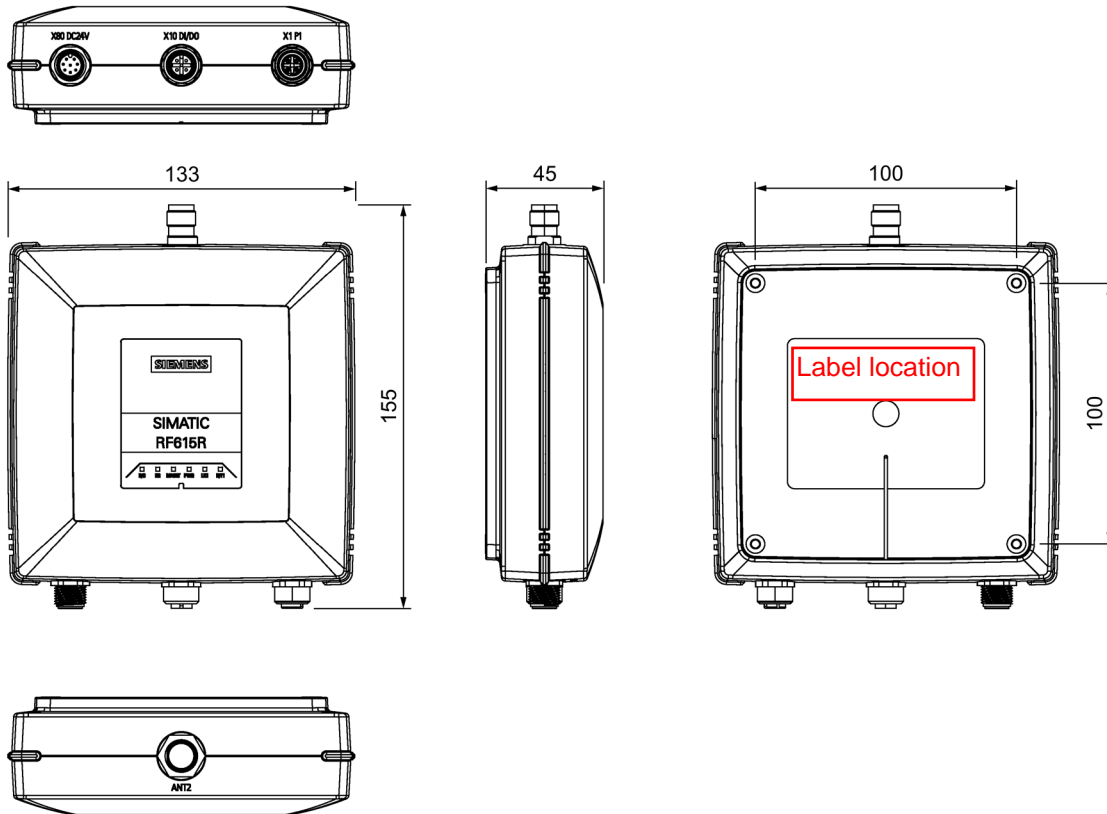


Figure 5-14 Dimension drawing RF615R

All dimensions in mm (± 0.5 mm tolerance)