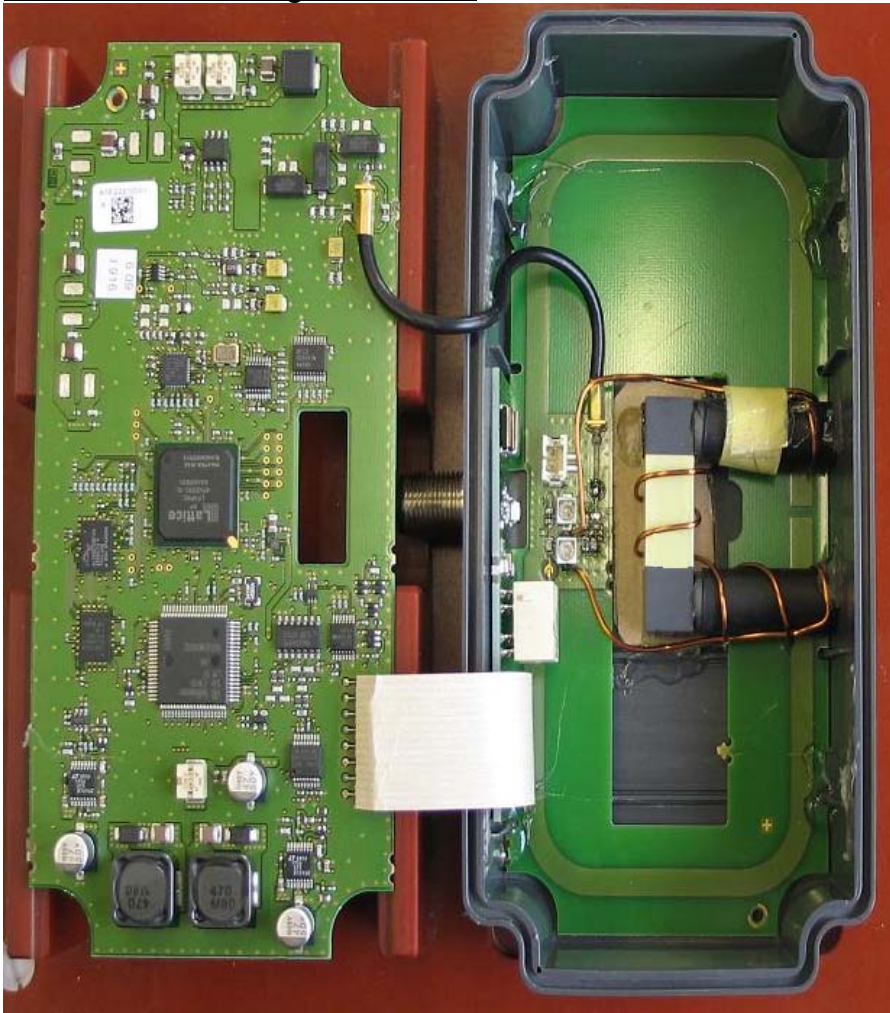
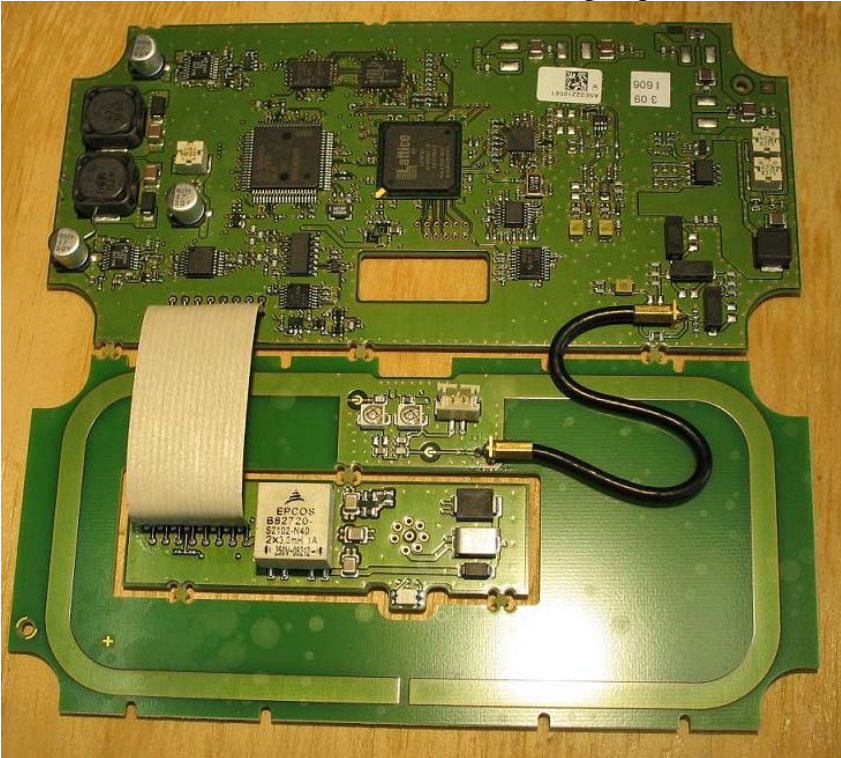


RF382R in it's housing - inside view



RF380R / RF382R PCB before case-mounting, top-view



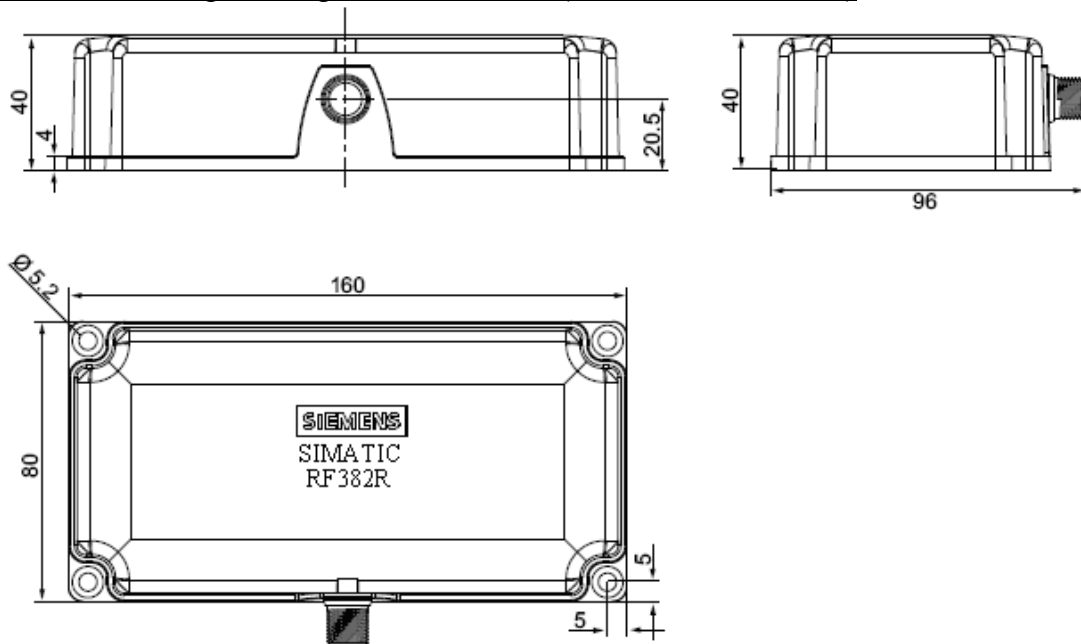
RF380R / RF382R PCB before case-mounting, bottom-view



RF382R in it's housing – two PCBs placed over each other

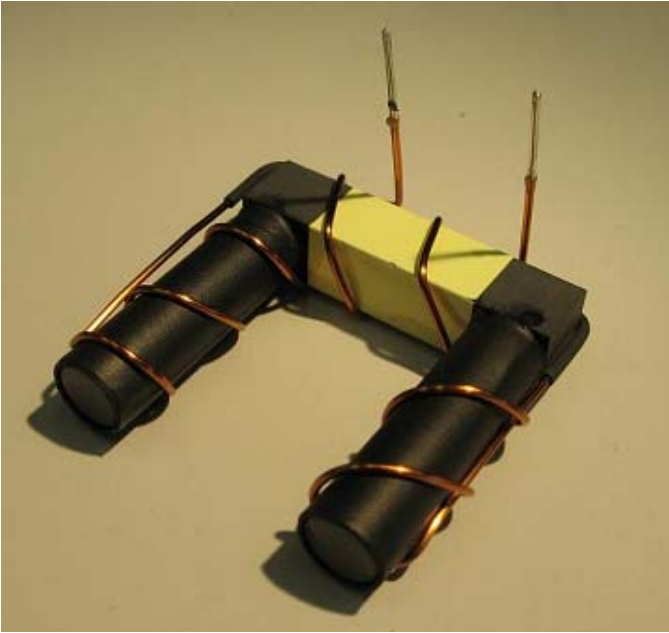


RF382R – housing drawing with dimensions (all dimensions in mm)





RF382R Antenna



RF382R Antenna Dimensions (all dimensions in mm)

