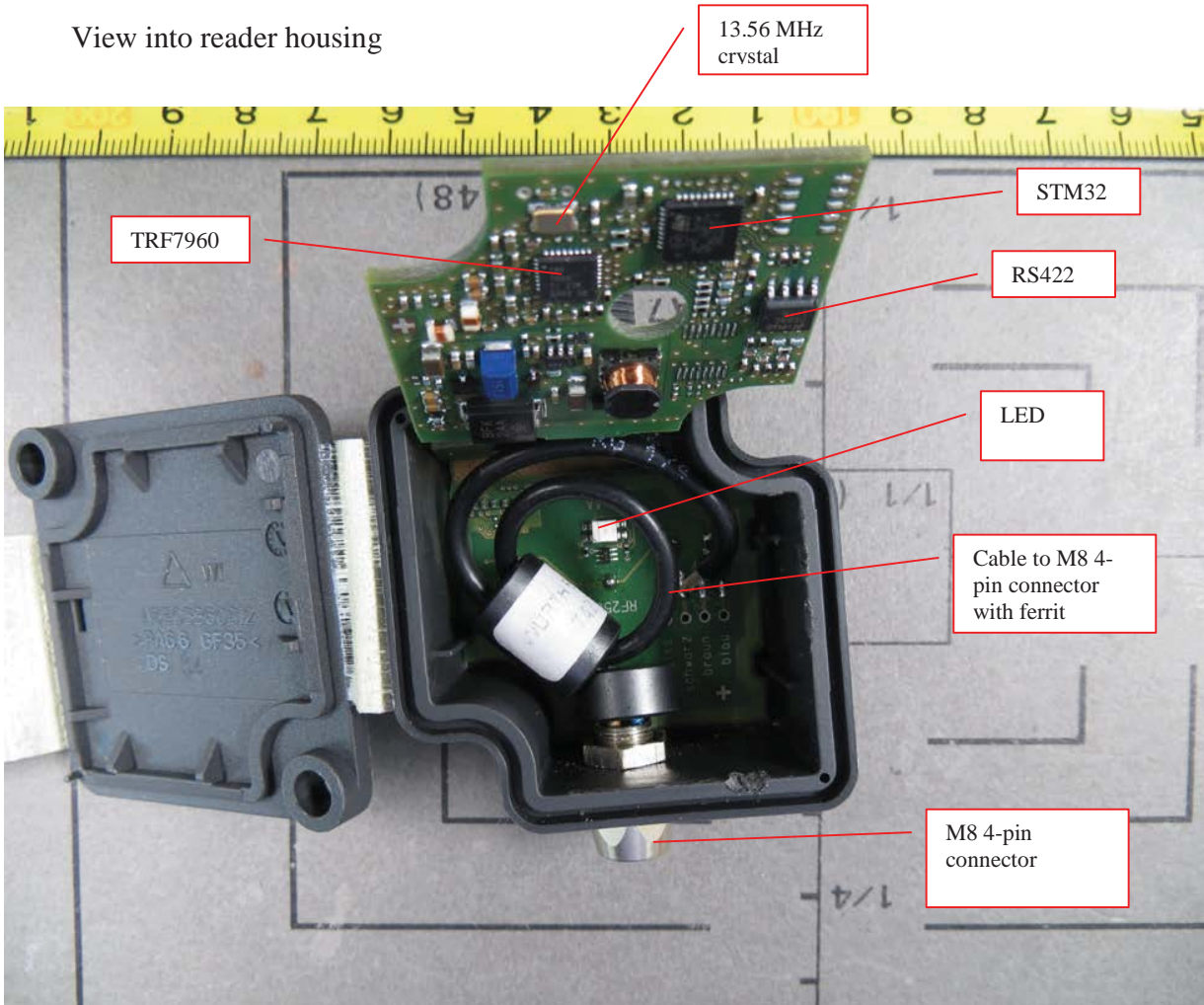
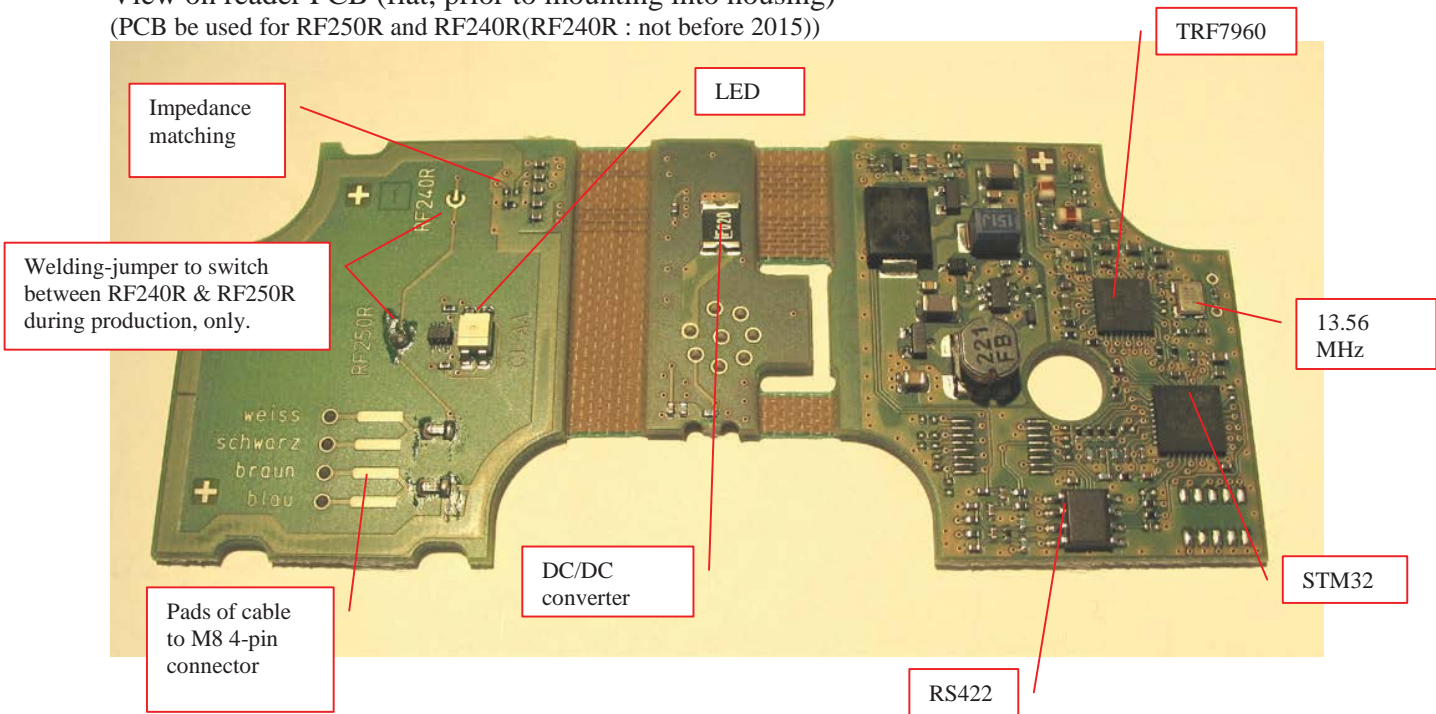


## RF250R PCB Assembly – Location of units

View into reader housing



View on reader PCB (flat, prior to mounting into housing)  
 (PCB be used for RF250R and RF240R(RF240R : not before 2015))



View on reader PCB bottom side  
 (PCB be used for RF250R and RF240R(RF240R : not before 2015))

