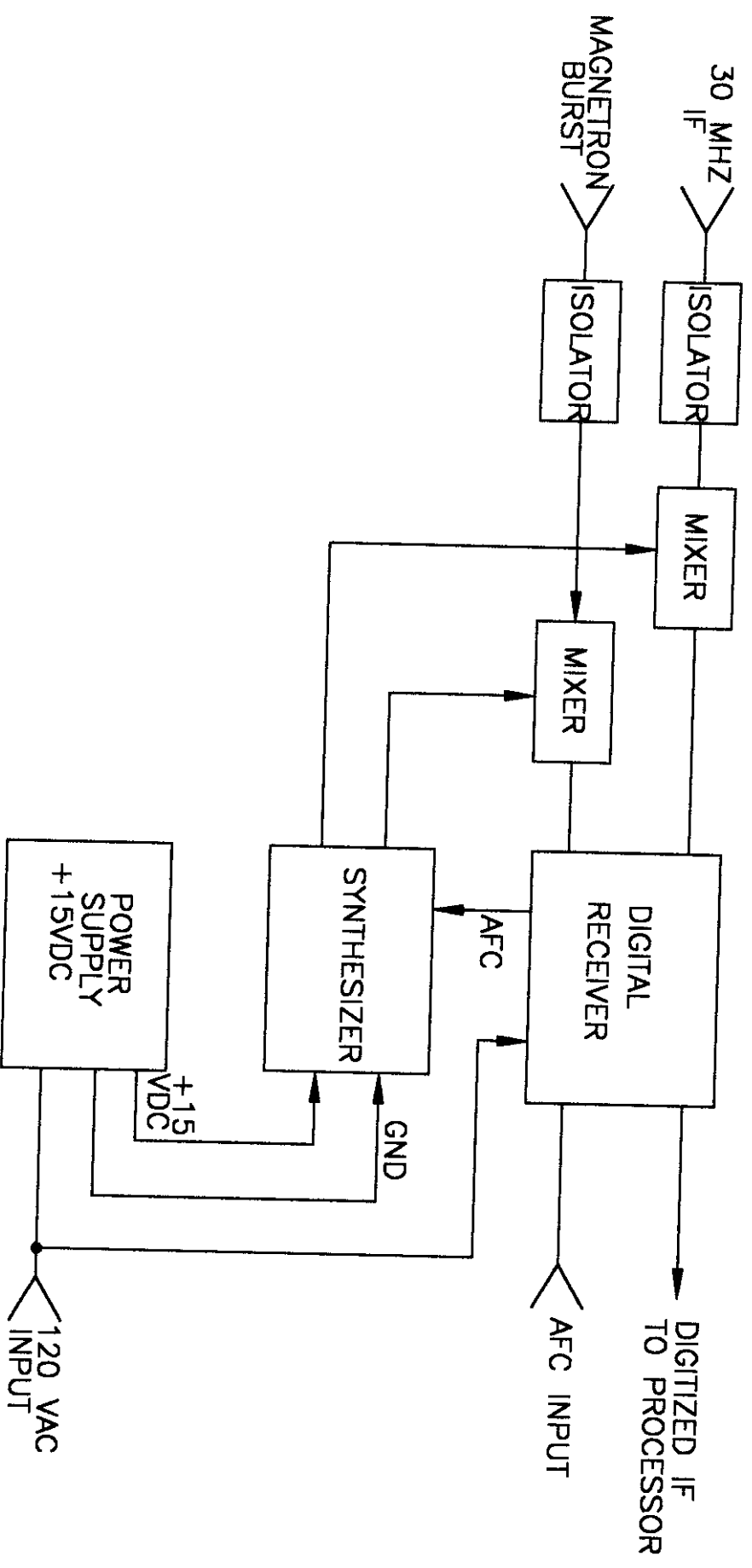


THIS INFORMATION DISCLOSED HEREIN WAS OBTAINED BY AND IS THE PROPERTY OF BRON SERVICES INC. AND EXCEPT FOR USES EXPRESSLY PERMITTED TO THE UNITED STATES GOVERNMENT, BRON SERVICES INC. AND ITS AFFILIATES, CONTRACTORS, DESIGN, USE, SALE, MANUFACTURING AND REPRODUCTION RIGHTS THEREIN, THIS DOES NOT APPLY TO ANY OTHER PARTY.

REVISIONS		DESCRIPTION	DATE	APPROVED
ZONE	REV			

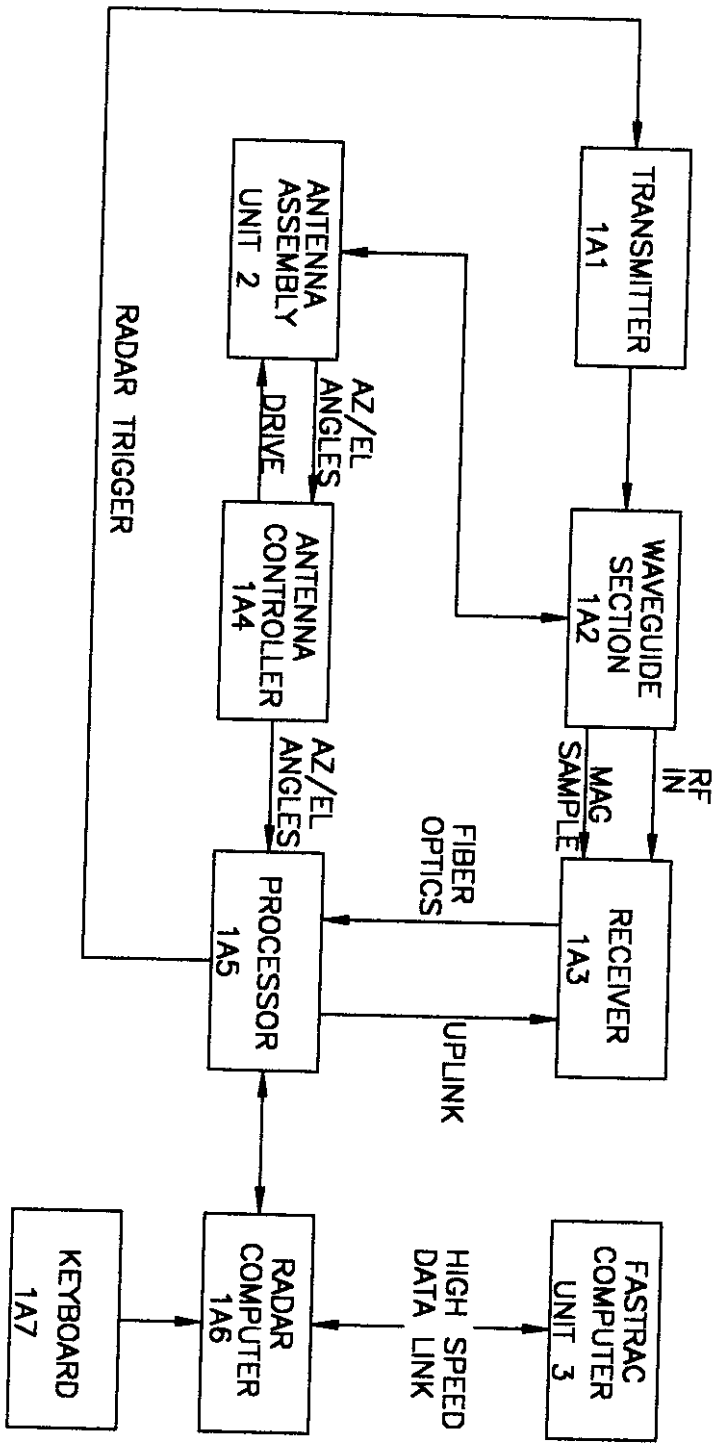


UNLESS OTHERWISE SPECIFIED DIMENSIONS ARE IN INCHES TOLERANCES ON:	DIMENSION BO	DATE 5/20/98
FRACTIONS: DECIMALS: ANGLES: $\pm .005$ $\pm .03$ $\pm 1/2$	CHECKED:	DRAWN:
HOLE DIA	DESIGN ENGINEER:	BARON SERVICES INC. HARTWELL, AL
UP TO .0001 +.0003 - .0003	PROJECT ENGINEER:	DESCRIPTION: RECEIVER BLOCK DIAGRAM
CONTRACT NO.	QUALITY ASSURANCE:	MATERIAL:

BSI-104151
1

THIS INFORMATION DISCLOSED HEREIN WAS OBTAINED BY AND IS THE PROPERTY OF BRON SERVICES INC. AND EXCEPT FOR USES EXPRESSLY PERMITTED TO THE UNITED STATES GOVERNMENT, BRON SERVICES INC. DISCLAIMS ALL PATENT, PROPRIETARY, DESIGN, USE, SALE, MANUFACTURING AND REPRODUCTION RIGHTS THEREIN. THIS DOES NOT APPLY TO ANY VENDOR PRINTS.

REVISIONS		DESCRIPTION	DATE	APPROVED
ZONE	REV			



UNLESS OTHERWISE SPECIFIED DIMENSIONS ARE IN INCHES		DESIGN	BO	DATE	4/28/86
TOLERANCES ON:		CHECKED			
FINISHES	DETAILS	DESIGN ENGINEER			
± .005	± 1/2	PROD ENGINEER			
± .010		QUALITY ASSURANCE			
HOLE DIA					
Baron Services Inc. HANOVER, N.H.			DESCRIPTION HDX BLOCK DIAGRAM		
UP TO .000 / +.005 - .005			MATERIAL		
CONTRACT NO.			DATE		

DWG NO. BSI-104159 1