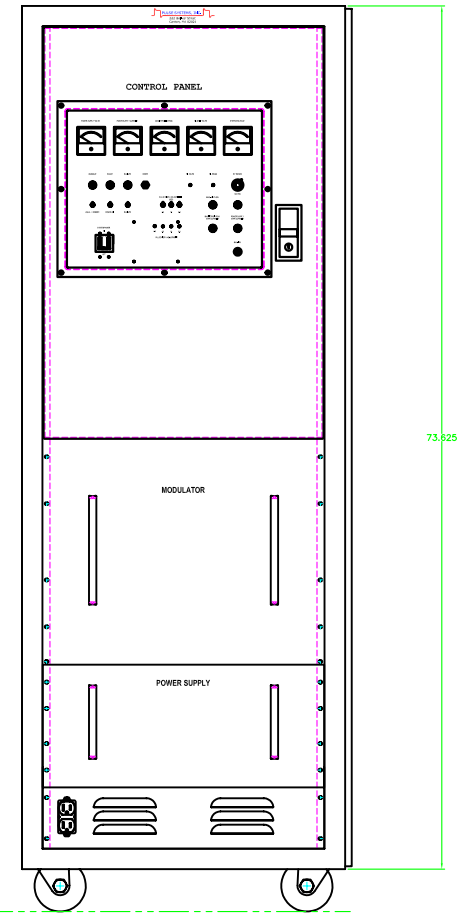
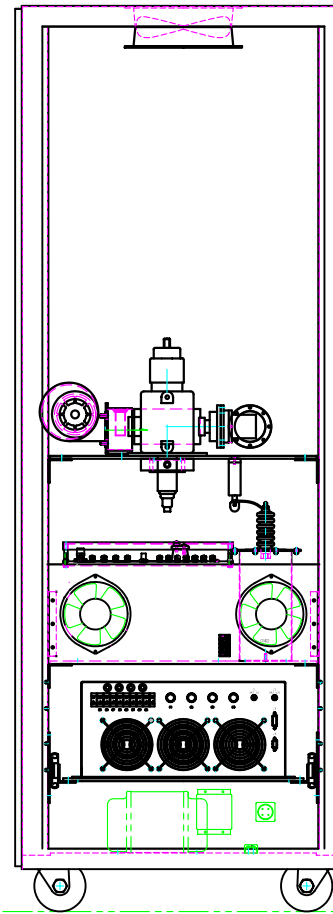
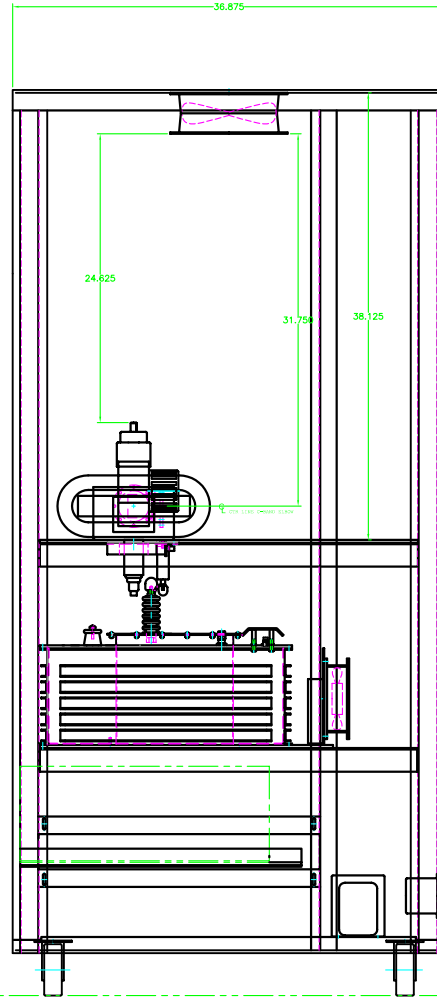
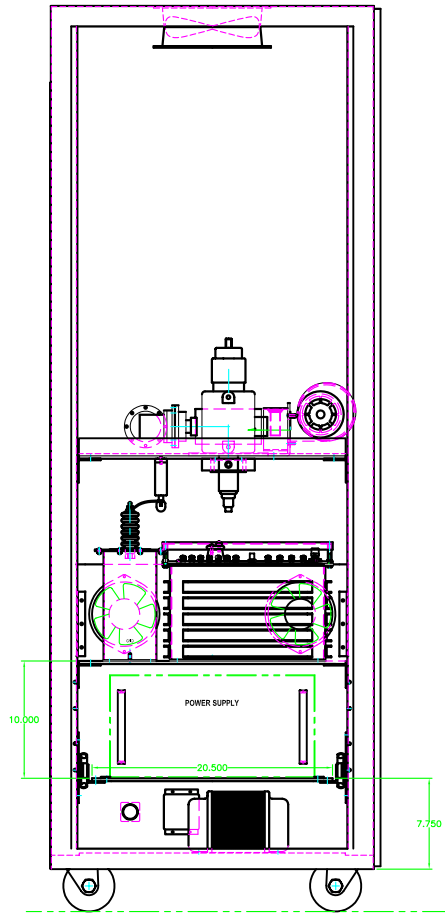
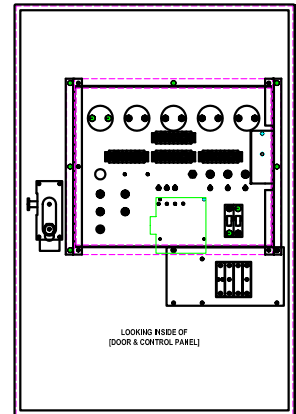
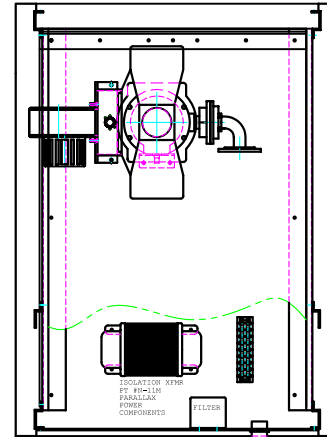
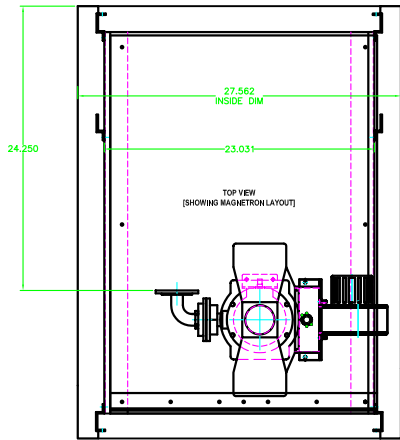


FIGURE 1

REV	ECO	REVISED	BY	APP. BY	DATE
		REV11104			

Input On: PR1038 Title: None Manufacturer: Date: 01/13/08 Drawn By: CC	PULSE SYSTEMS, INC. 222 Bolivar Street Canton, MA 02021 Title: POWER SUPPLY ASSY 19K C-BAND Sheet: 1 of 4 Part: P91928-08 Drawn: [Signature]
--	---



FRONT ELEVATION
[DOOR & PANELS REMOVED]

FIGURE 3

SIDE ELEVATION
[PANEL REMOVED]

REAR ELEVATION
[PANELS REMOVED]

FRONT ELEVATION
[DOOR & PANELS ON]

File Name: TR1038-01	Material: MATERIAL	Finish: FINISH	Drawn: J. J. J.	Checked: R. C. C.
PULSE SYSTEMS, INC. 222 Bolkov Street Canton, MA 02021				
Part Name: 1 MW C BAND TRANSMITTER ASSY	Sheet: 1	Drawing #: TR1038-01	Rev: 1	Drawn: J. J. J.
Description: 1 MW C BAND TRANSMITTER ASSY	Sheet: 1	Rev: 1	Drawn: J. J. J.	Checked: R. C. C.

REV	BY	DATE	DESCRIPTION	BY	APP.	DATE

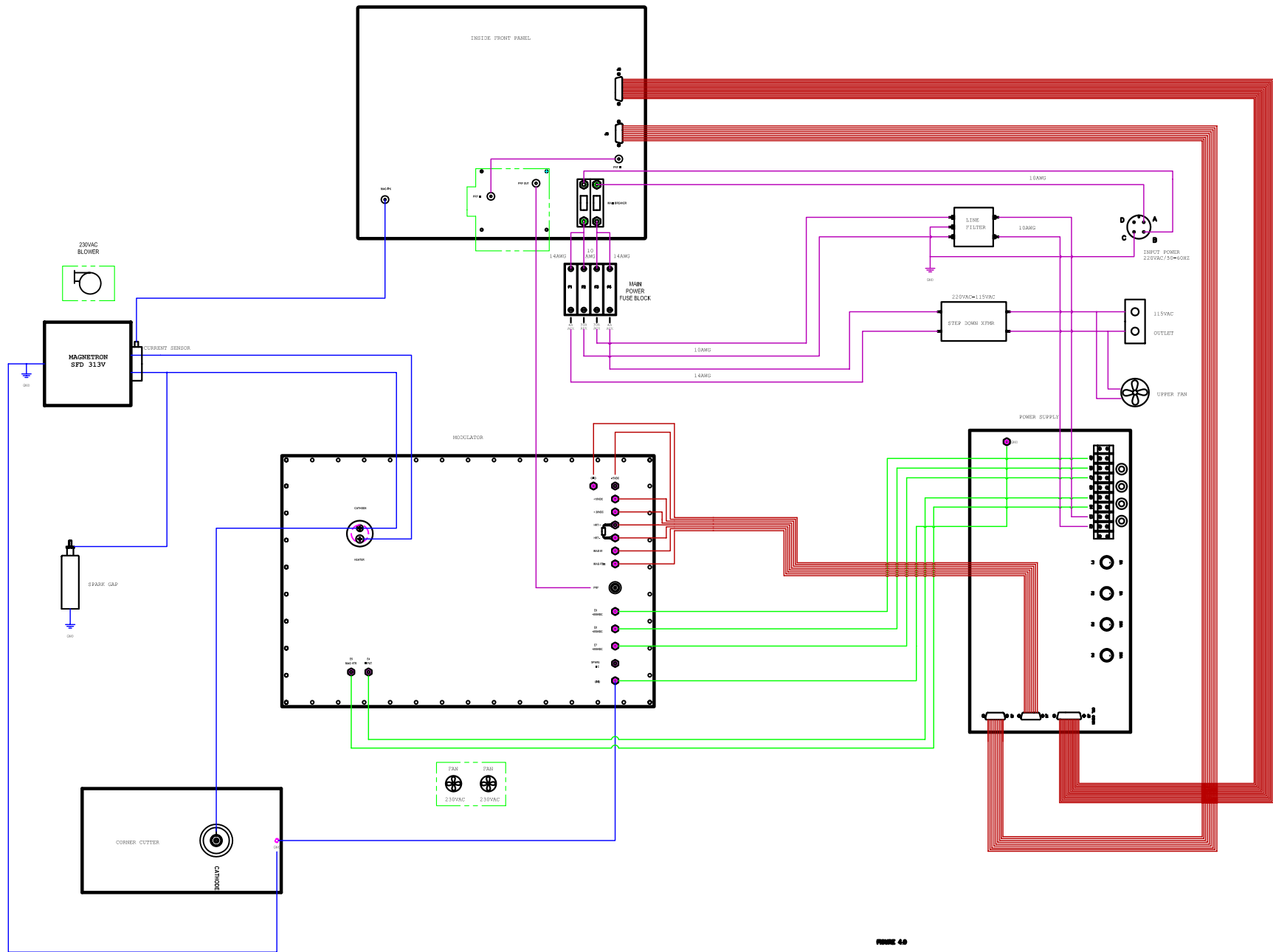


FIGURE 40

C BAND

File Name: TRI038-16	 222 Bolivar Street Canton, MA 02021	Title: SYSTEM INTEGRATION OUTLINE Date: 1/12 Rev: E Project: TRI038-16
Description: SYSTEM INTEGRATION OUTLINE Sheet: 4		

REV	ECO	REVISED	BY	APP. BY	DATE

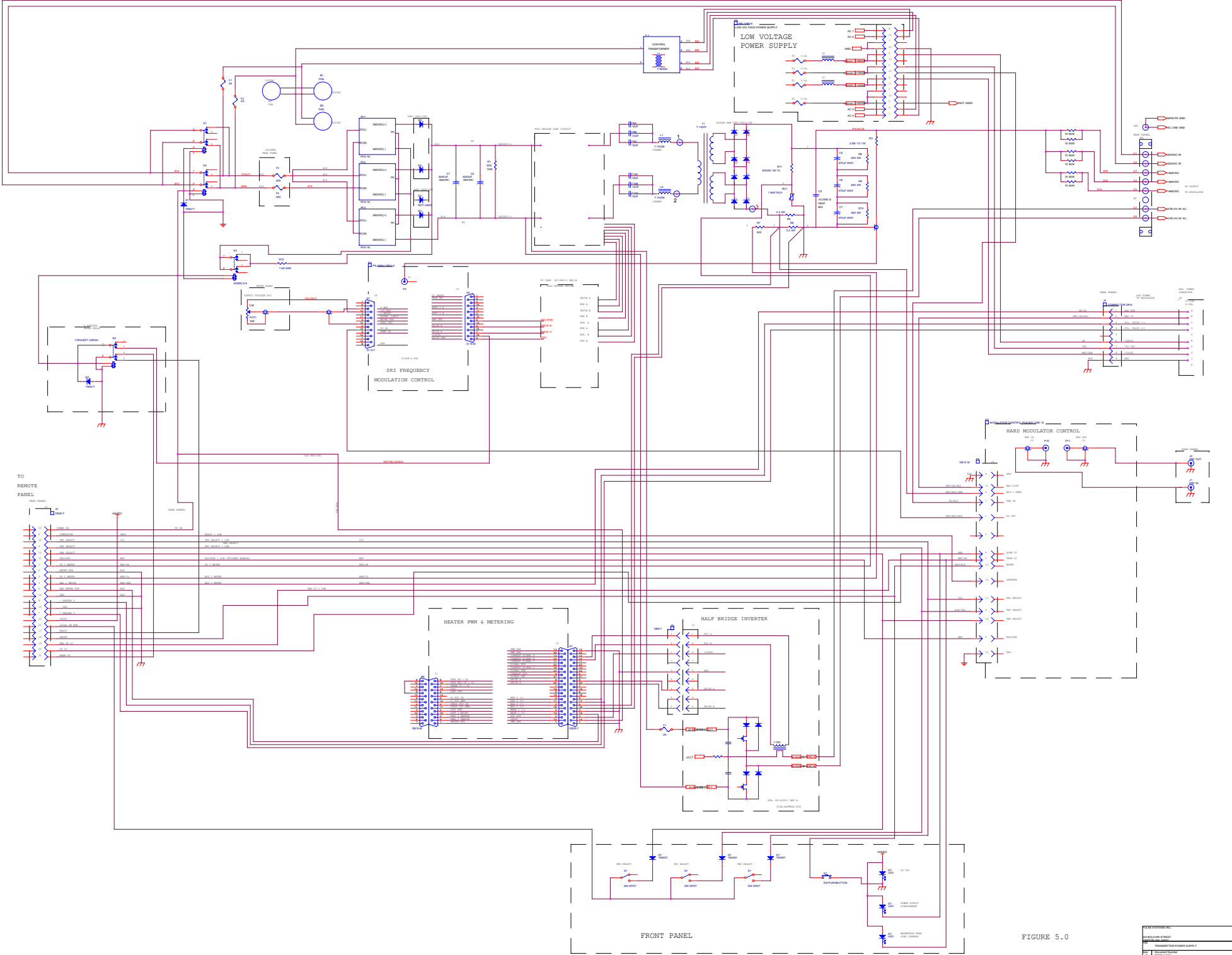
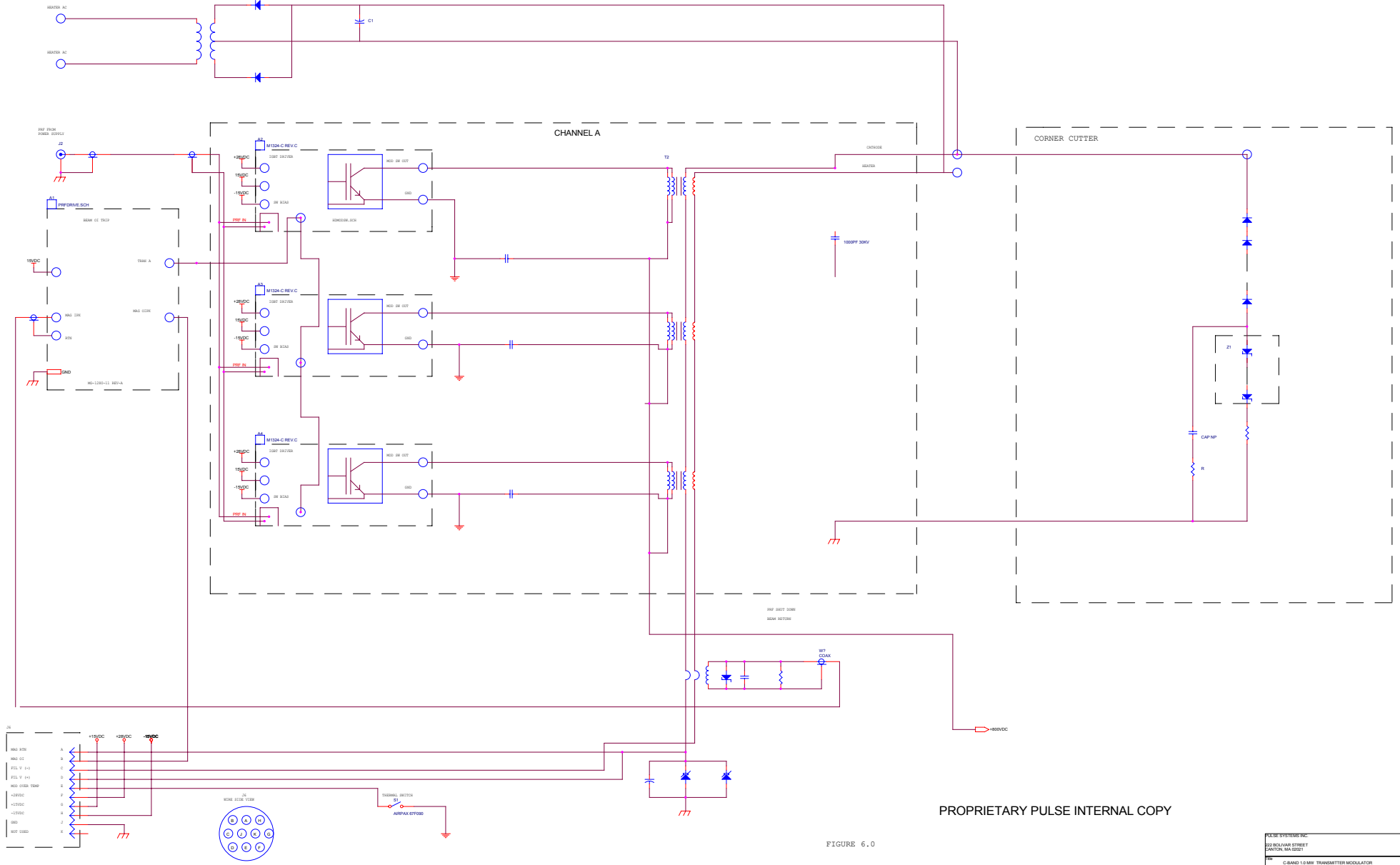


FIGURE 5.0



PROPRIETARY PULSE INTERNAL COPY

FIGURE 6.0

FILE:M1367-J.SCH

PULSE SYSTEMS, INC.	
522 BULLMAN STREET	
CANTON, MA 02021	
REV	C-BAND 1.5-MHz TRANSMITTER MODULATOR
DATE	08/08/97
DESIGNER	WJSP
DATE	10/08/97

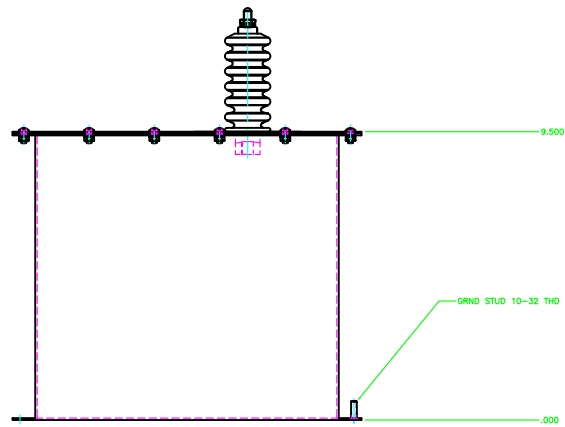
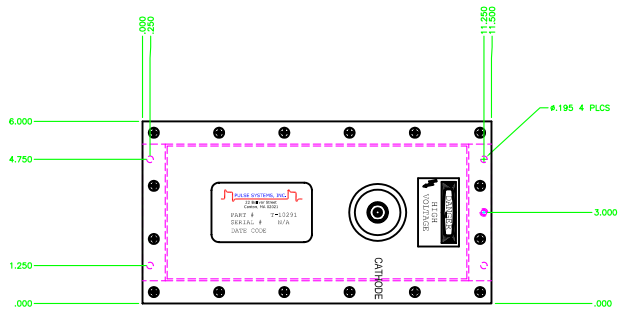
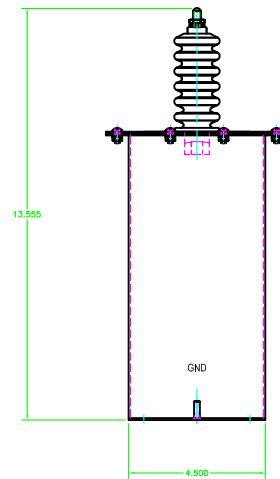


FIGURE 7



REV	ECO	REVISIONS	BY	AFF. BY	DATE

USED ON TR1021		Material		Title	
File Name T-10291		P/Inian		CORNER CUTTER	
Date 1/9/03 Drawn By CC		Scale		Size	
TOLERANCES UNLESS OTHERWISE SPECIFIED: .XXX = .0005" .XX = .0100" .XX = .0005" .X = .0100" .X = .0005" . = .0100" . = .0005" . = .0100" . = .0005" . = .0100" . = .0005" . = .0100"		1:2		D	
PULSE SYSTEMS, INC. 22 Bolivar Street Canton, MA 02021		Drawing #		Rev	
		T-10291		1	
Description		CORNER CUTTER		Sheet	
				1	

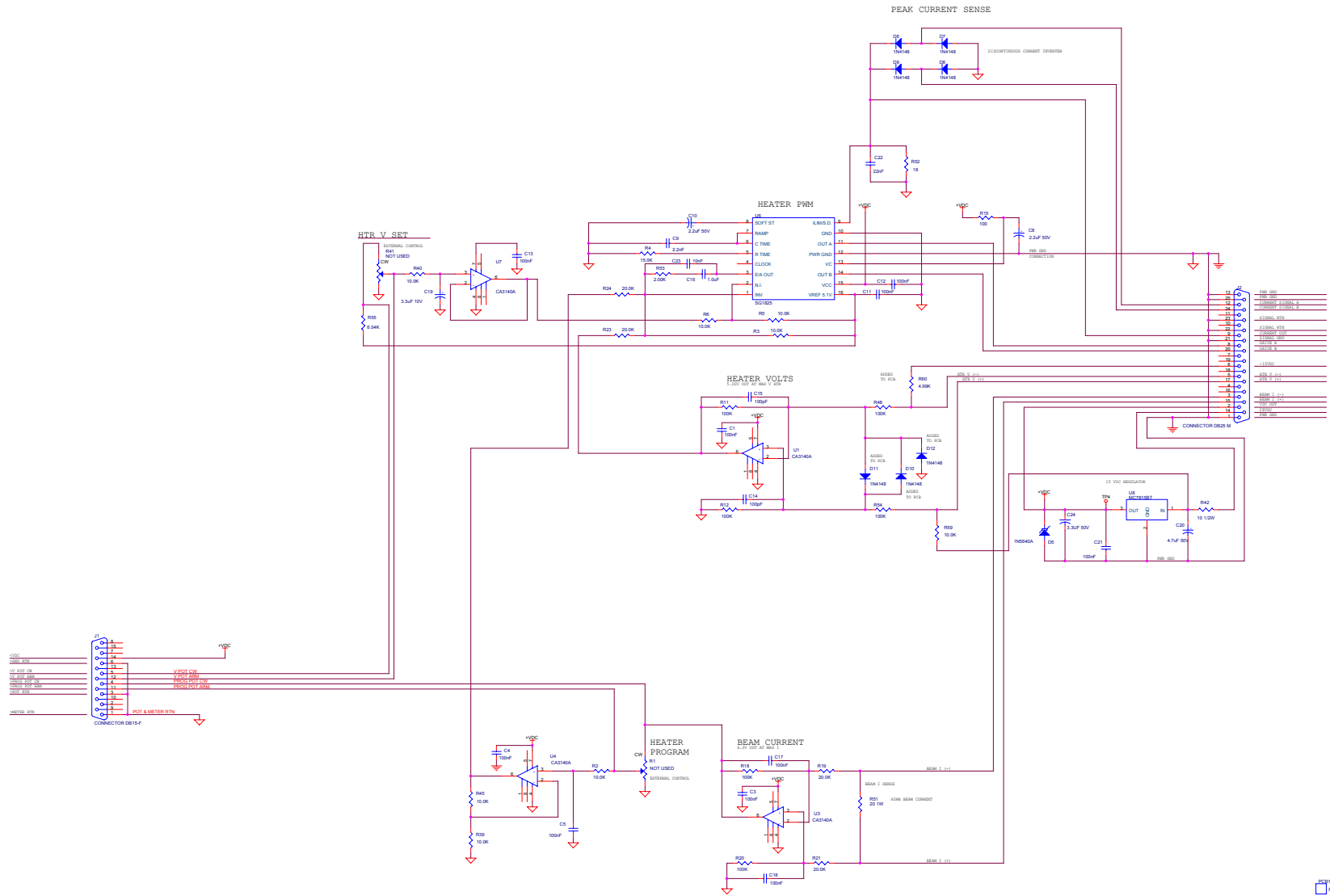


FIGURE 8.0

PANEL REAR VIEW

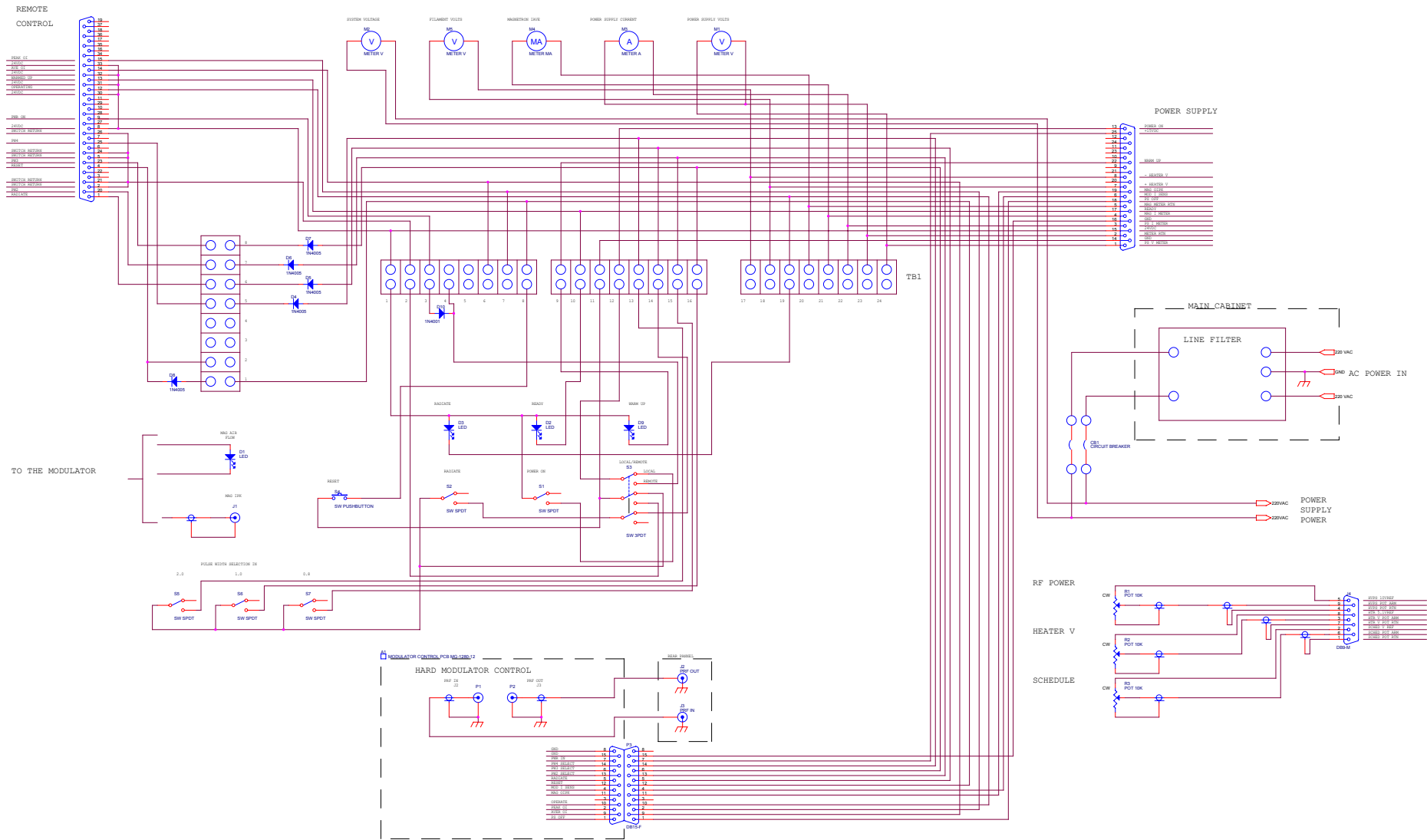


FIGURE 9.0