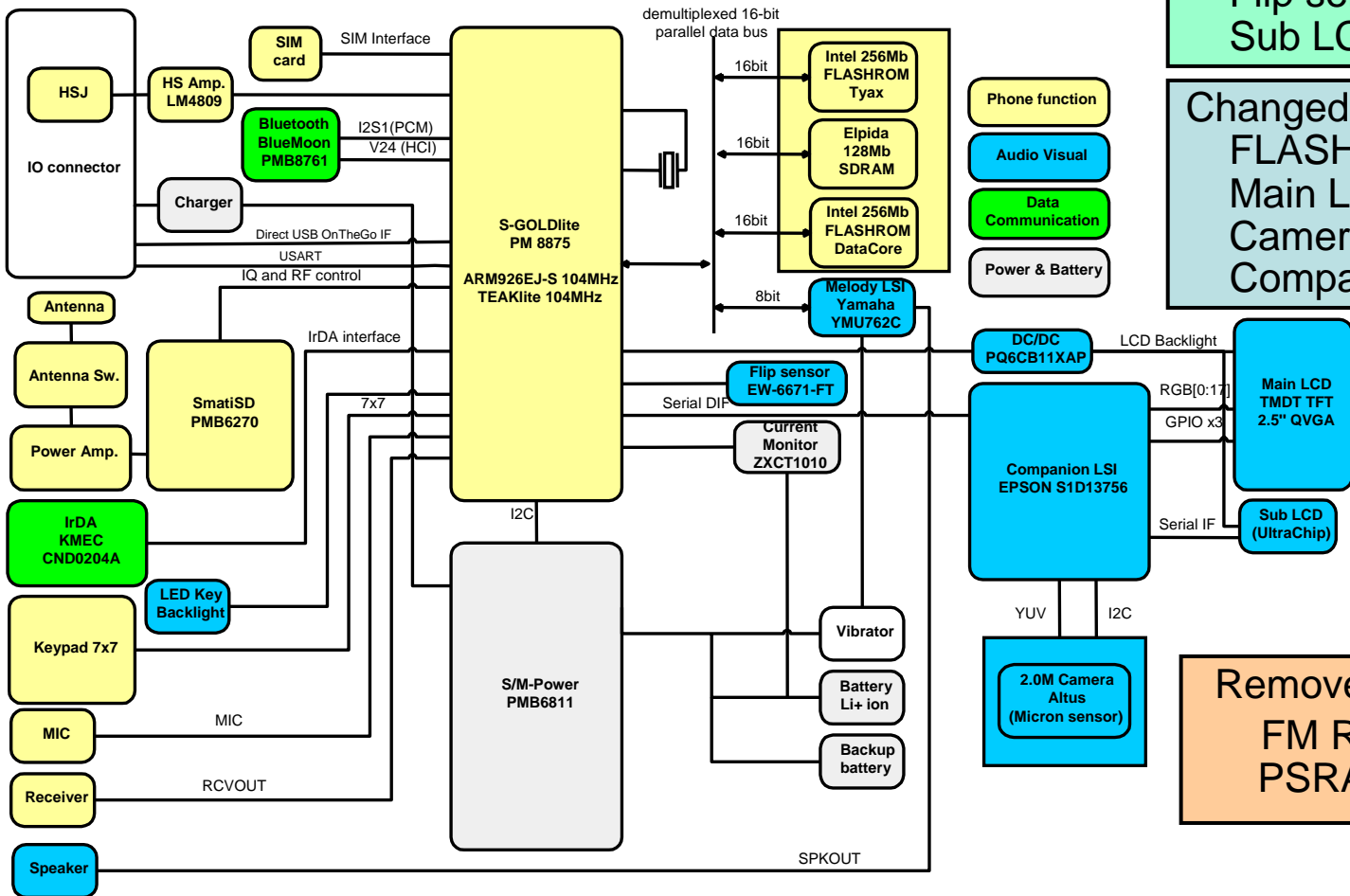


VS7 Block Diagram



Added to MP1G

- 256Mb FLASH
- 128Mb SDRAM
- Flip sensor
- Sub LCD

Changed from MP1G

- FLASH density
- Main LCD
- Camera
- Companion IC

Removed from MP1G

- FM Radio
- PSRAM