

SYM	REV	CHANGE No	CHANGE DESCRIPTION	CHANGED BY	CHANGED DATE	APPROVAL	DATE(dd/mm/yy)
			FIRST RELEASE				

THIS DRAWING FOR REFERENCE ONLY

NOTES:

- MATERIAL: POLYESTER 38 TO 50 MICRON
- WITH ADHESIVE 3M #200 OR NITTO #500
- GENERAL TOLERANCE  $\pm 0.1$
- THIS DRAWING IS THE PRINTING SPEC OF THE NAME PLATE FOR 'EB-X70.'
- PRINT TEXT BLACK ON PRE-CUT LABEL STOCK PART NUMBER 7HE016A
- LETTER TYPE & SIZE:  
 COMPANY NAME: HELVETICA REGULAR 1.2 MM TALL  
 NATION OF ORIGIN: HELVETICA REGULAR 1.2MM TALL.  
 OTHERS: HELVETICA REGULAR 1.4MM TALL  
 PANASONIC: HEIGHT / WIDTH 1/7  
 USE THE BLOCK COPY SUPPLIED BY MMCDE
- BARCODE TYPE: CODE 128C FOR IMEI, CODE 128A FOR MSN, UPCA FOR UPC CODE
- PRINT DESIGNATED BARCODE AND 15 DIGIT CHARACTERS IN THE SPACE INDICATED.
- CHECK DIGITS COMPUTATION EXAMPLE:-  
 STEP 1.

2	6	0	5	3	1	7	9	3	1	1	3	8	3	7
X2	X2		X2	X2	X2		X2	X2	X2		X2	X2	X2	X2
12	10		2	18		2	6	6						

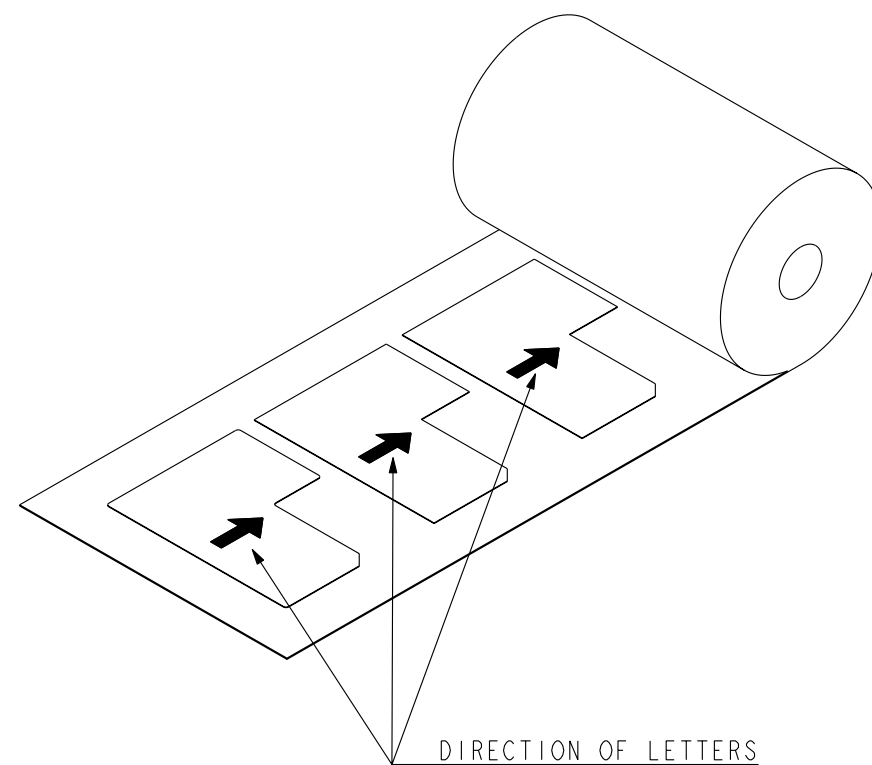
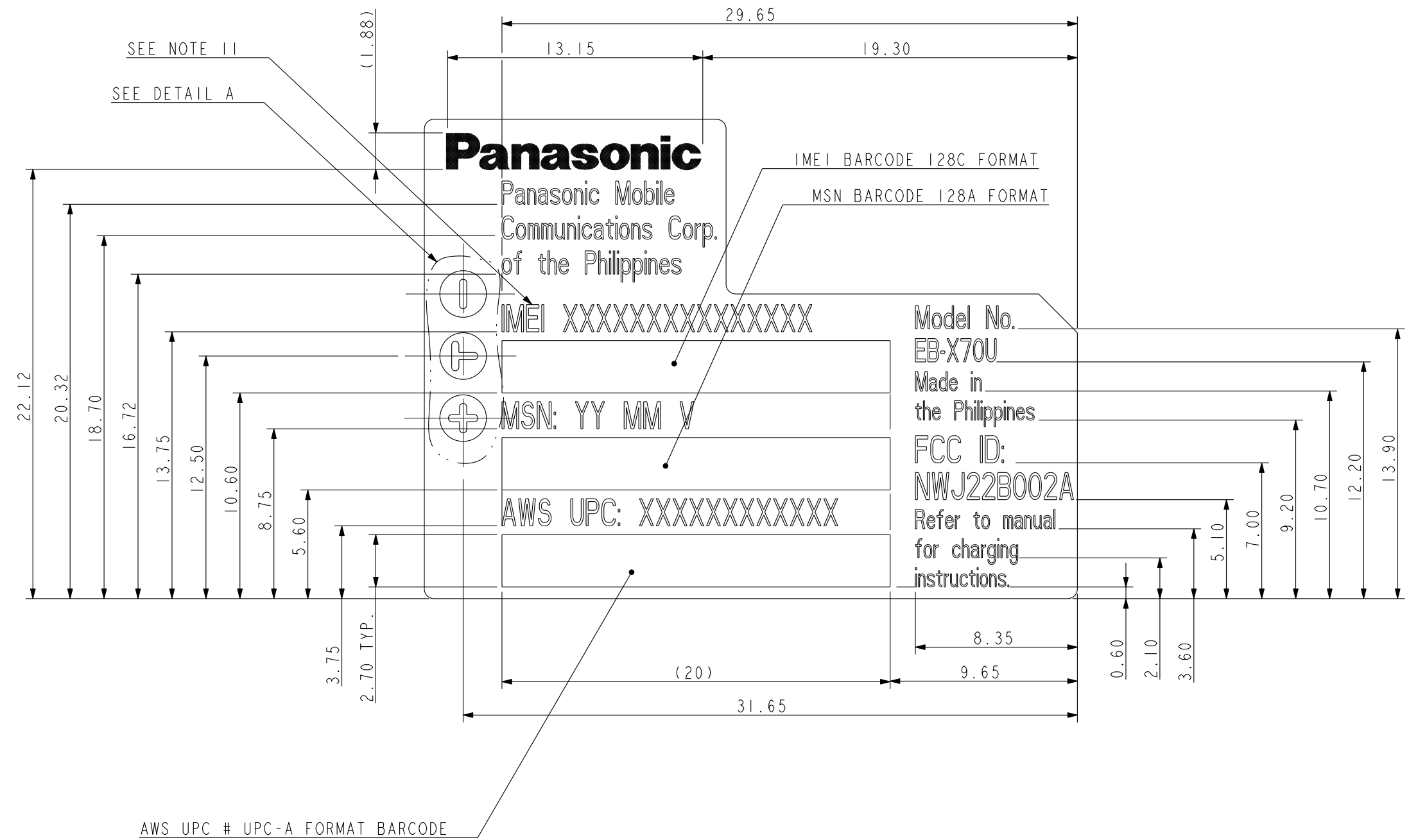
CHECK DIGIT

STOP CODE

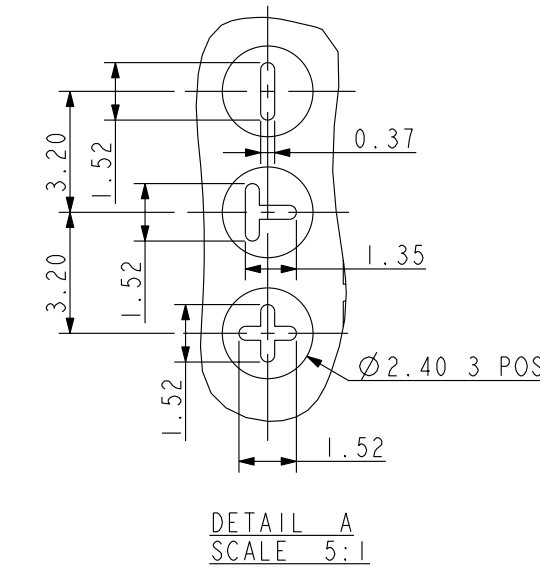
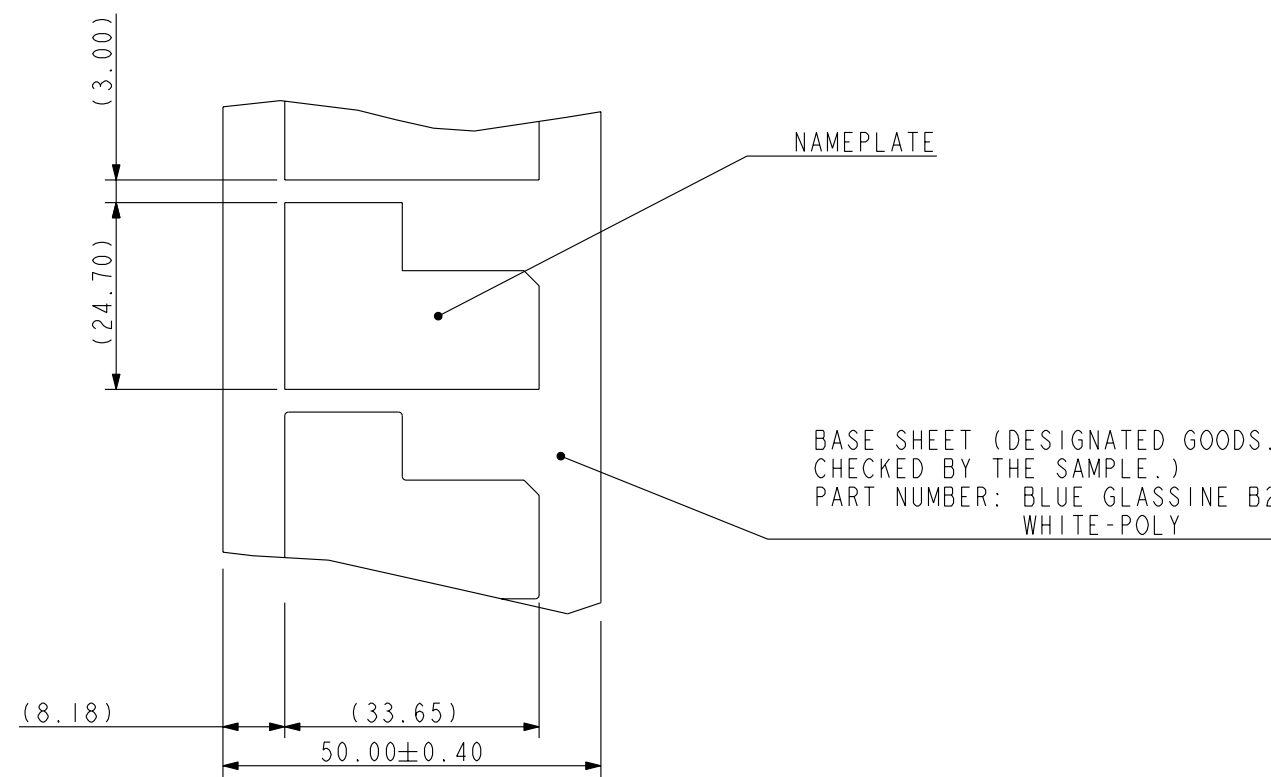
- STEP 2. ADD INDIVIDUAL DIGITS  
 $2+1+2+0+1+0+3+2+7+1+8+3+2+1+6+8+6=53$   
 \*=IF THE NUMBER OBTAINED IN STEP 2 ENDS IN 0 THE \*=0.  
 IF THE NUMBER OBTAINED DOES NOT END IN 0 THEN \*= THAT NUMBER  
 SUBTRACTED FROM NEXT HIGHER NUMBER WHICH DOES END IN 0. I.E. 60-53=7.
- PRINTED SAMPLE IS NECESSARY FOR APPROVAL.
- EXPLANATION OF MSN NOTATION:

YY: REPRESENTS THE LAST 2 DIGITS OF THE YEAR OF MANUFACTURE  
 MM: REPRESENTS THE MONTH OF MANUFACTURE  
 V: REPRESENTS THE "HARDWARE VERSION". THIS SHOULD BE "G" AT FIRST SHIPMENT.  
 THIS LETTER SHOULD BE UPDATED EVERY TIME THE "HARDWARE VERSION" IS CHANGED  
 (WHEN PCB VERSION IS UPDATED)

EXAMPLE: 2003 2/VER G = 03 02 G



DELIVERY STYLE



MATERIAL	FINISH/PROCESS	DRAWN	DATE(dd/mm/yy)	Panasonic®	
SEE NOTES	SEE NOTES	A CAPLE	14/10/03		EB-X70
		ENGINEER		PRODUCT	
DRAWING/INFORMATION ARE PROPRIETARY TO MMCDE. IT IS PROHIBITED TO COPY OR DISCLOSE WHOLLY OR IN PART WITHOUT PRIOR WRITTEN CONSENT OF MMCDE.		UNIT: mm	CHECKED	DATE(dd/mm/yy)	DRAWING TITLE
			PROJECT	DATE(dd/mm/yy)	NAMEPLATE USA
Matsushita Mobile Communications Development of Europe Limited. Colthrop, Thatcham, Berkshire, RG19 4ZB.			APPROVED	DATE(dd/mm/yy)	SIZE DRAWING/PART NUMBER
					A2 C4280***A
					ENG. REV. 01
					SCALE: 4:1 SHEET 1 OF 1

Model File Name: NAME\_PLT\_USA\_UK\_X70U  
 Drawing File Name: NAME\_PLT\_USA\_UK\_X70U