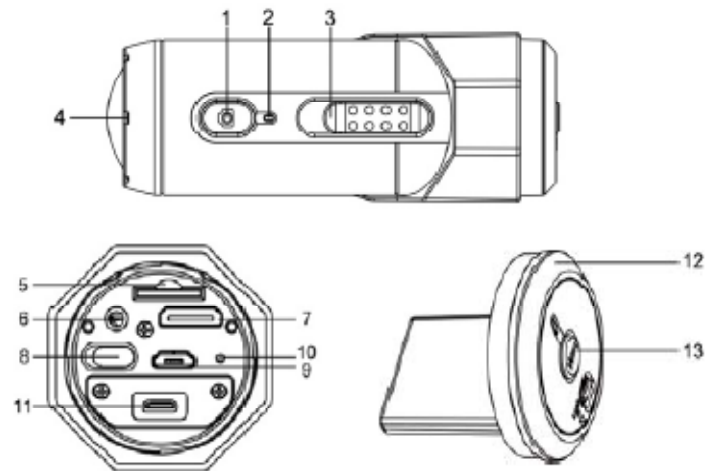



**CONNECT KIT**  
**User Manual**  
**Model Name:5004**  
**FCC ID:NW75004**

## GETTING TO KNOW YOUR CAMERA



- |                           |                            |
|---------------------------|----------------------------|
| 1. Power                  | 8. Video Resolution Switch |
| 2. LED Indicator          | 9. USB Port                |
| 3. Recording Slide Switch | 10. Reset Button           |
| 4. Lens                   | 11. PODZ Socket            |
| 5. MicroSD Card Slot      | 12. WiFi PODZ Back Cover   |
| 6. AV Port                | 13. WiFi PODZ Power Button |
| 7. HDMI Port              |                            |

### Install WiFi PODZ

1. Remove your PODZ and put your WiFi PODZ to the camera PODZ socket
2. Seal the camera by rotating the back cover and slide the latch until it is locked
3. Press and hold  button to turn on your camera
4. Press WiFi power button on the WiFi PODZ to turn on your WiFi. The blue LED flashes to indicate the WiFi warming up. It will take around 15-20 seconds for WiFi to warm up and become connectable which the LED will stop flashing
5. Press WiFi power button to turn off the WiFi anytime.

#### WARNING:

Changes or modifications to this unit not expressly approved by the party responsible for compliance could void the user's authority to operate the equipment.

Ad Hoc function is supported but not able to operate on non-US frequencies.

#### IMPORTANT REGULATORY INFORMATION

This device complies with Part 15 of the FCC Rules: Operation is subject to the following two conditions:

1. This device may not cause harmful interference and
2. This device must accept any interference that is received, including any interference that may cause undesired operation.