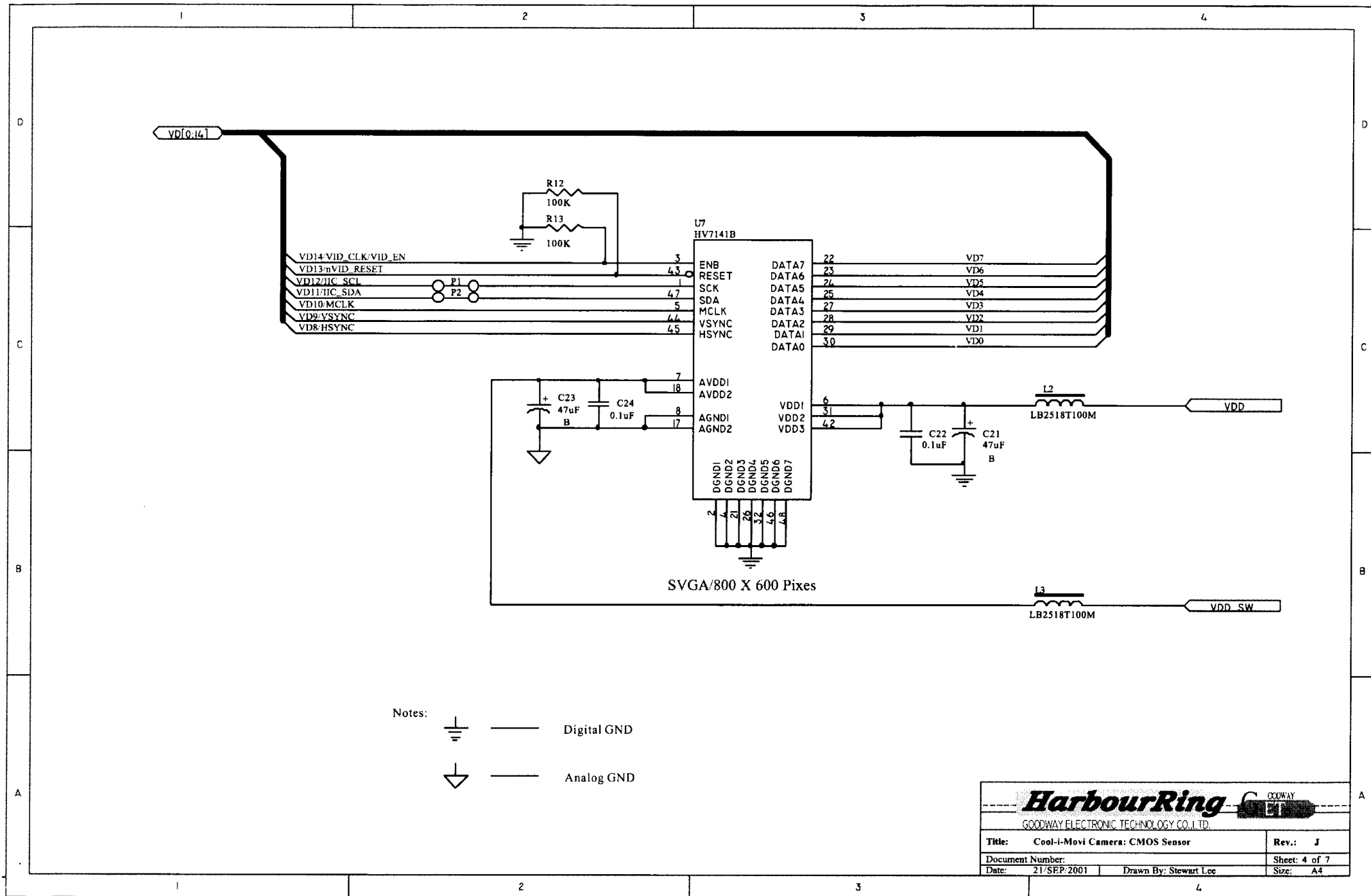
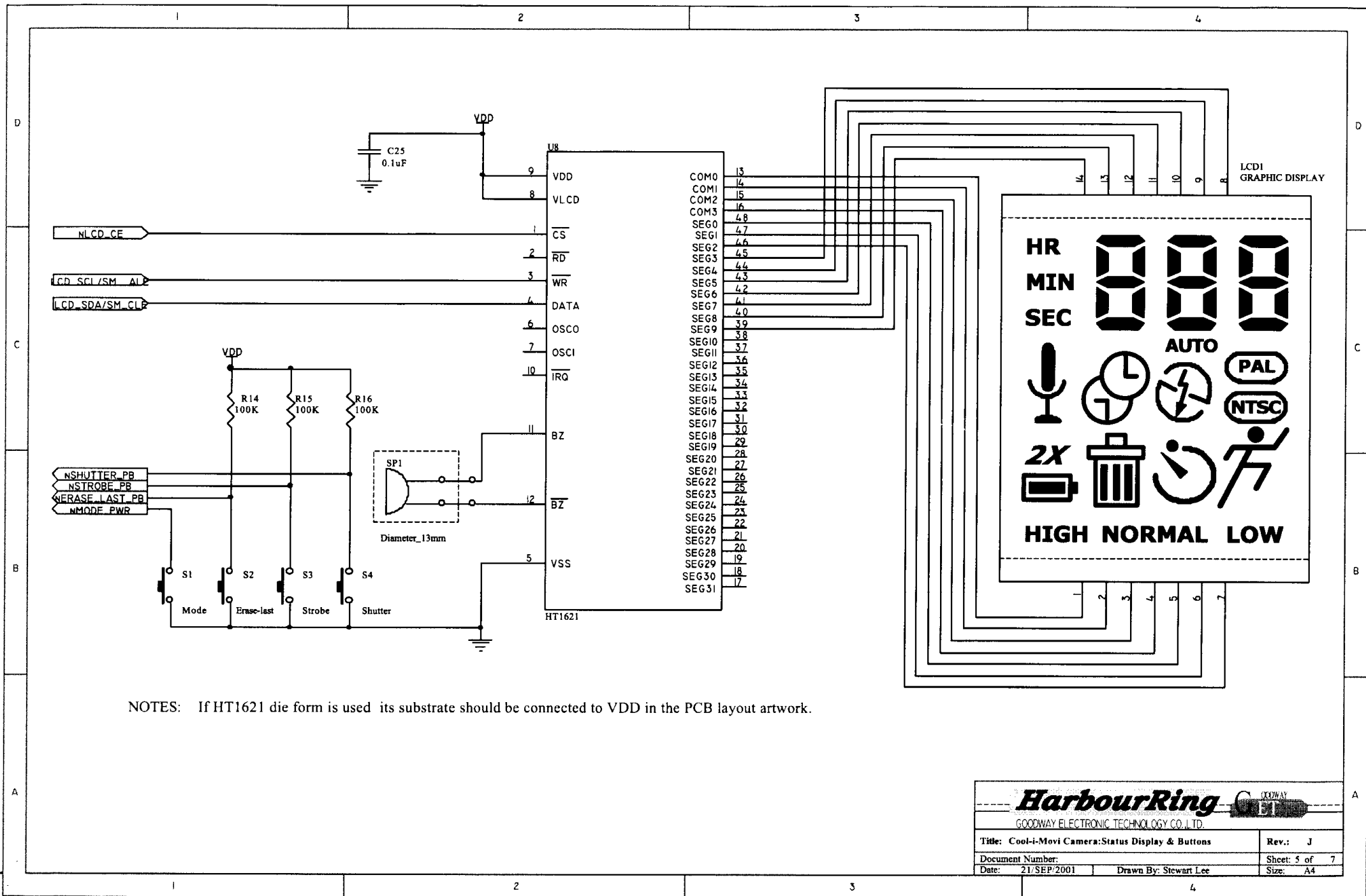


HarbourRing <small>GOODWAY</small>		
<small>GOODWAY ELECTRONIC TECHNOLOGY CO., LTD.</small>		
Title:	Cool-i-Movi Camera: Audio	Rev.: J
Document Number:		Sheet: 6 of 7
Date: 21/SEP/2001	Drawn By: Stewart Lee	Size: A4

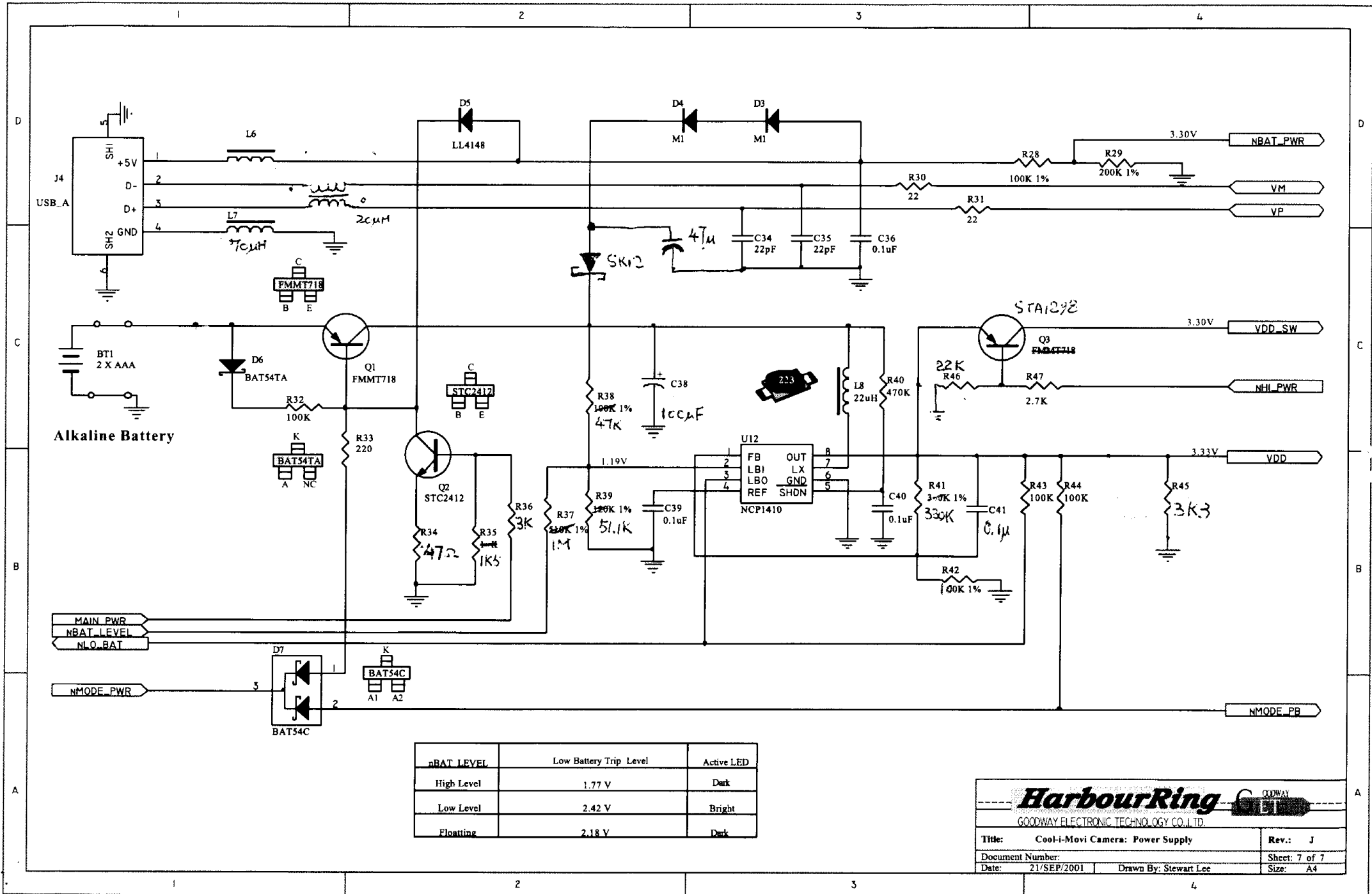


HarbourRing GOODWAY ELECTRONIC TECHNOLOGY CO., LTD.

Title: Cool-i-Movi Camera: CMOS Sensor	Rev.: J
Document Number:	Sheet: 4 of 7
Date: 21/SEP/2001	Drawn By: Stewart Lee
	Size: A4



NOTES: If HT1621 die form is used its substrate should be connected to VDD in the PCB layout artwork.



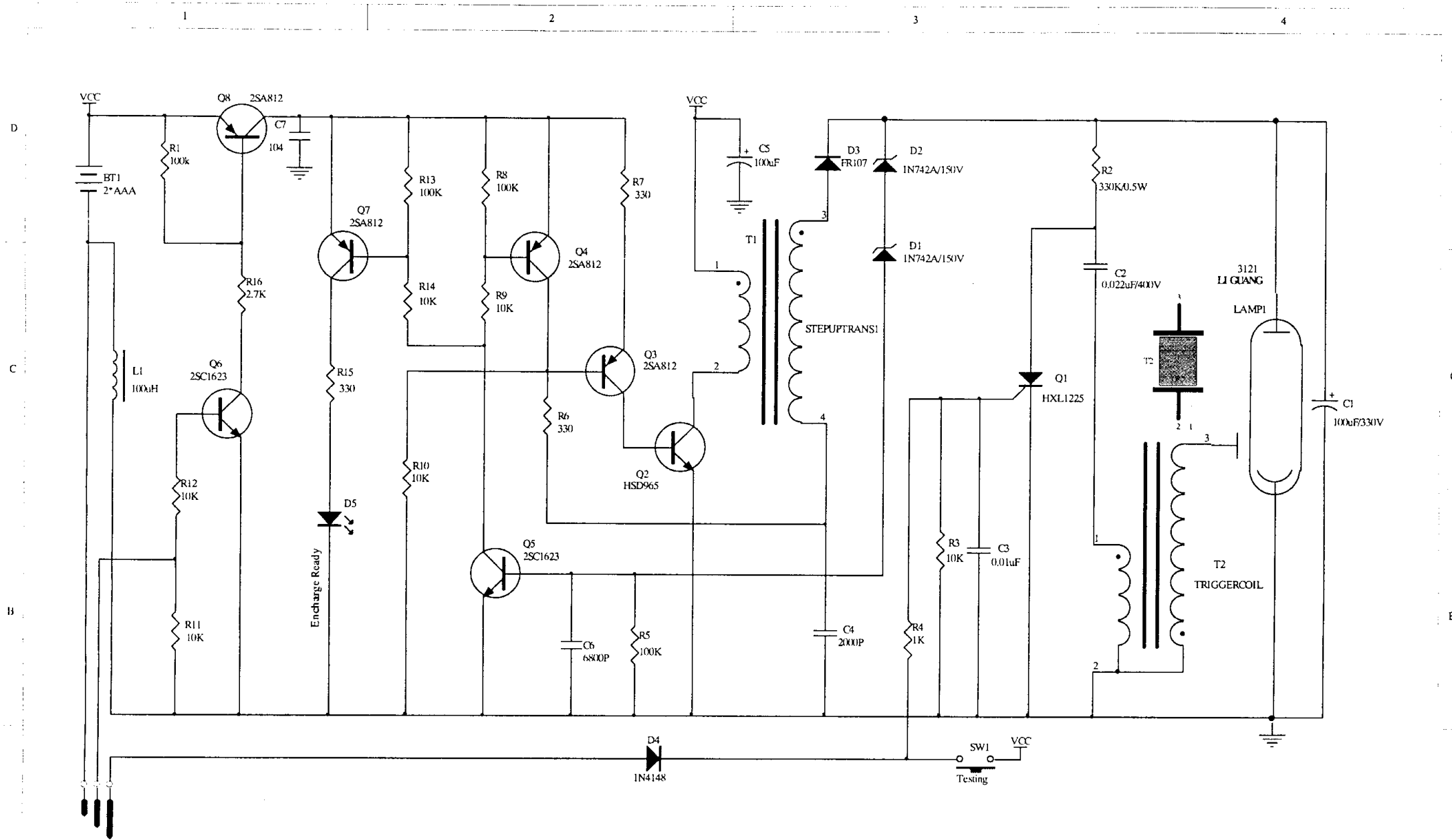
Alkaline Battery

nBAT LEVEL	Low Battery Trip Level	Active LED
High Level	1.77 V	Dark
Low Level	2.42 V	Bright
Floating	2.18 V	Dark

HarbourRing GOODWAY

GOODWAY ELECTRONIC TECHNOLOGY CO., LTD.

Title: Cool-i-Movi Camera: Power Supply	Rev.: J
Document Number:	Sheet: 7 of 7
Date: 21/SEP/2001	Drawn By: Stewart Lee
	Size: A4



Title		Strobe	
Size	Number	Revision	
A4		02	
Date:	9-Aug-2001	Sheet	of
File:	I:\wxf\flash\SCF\strobe_july26.Ddb	Drawn By:	