

iON 4K

WATERPROOF 4K ACTION CAMERA USER

Quick Start Guide

1. QUICK START

- 1 Slide the Door Lock to the left so the red square isn't showing
- 2 Slide the camera door up to open
- 3 Insert the microSD Card
- 4 Close the camera door.
- 5 Slide the Door Lock to the right to lock it closed
- 6 Slide the Record Slider forward to record. Slide it back to stop recording
- 7 Hold status button for three seconds to engage photo mode

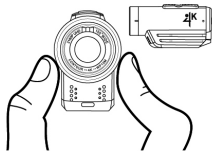
1



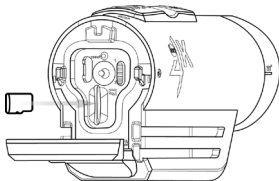
contour.com/startROAM3



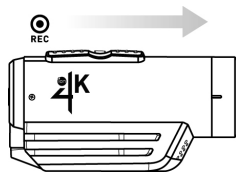
2



3

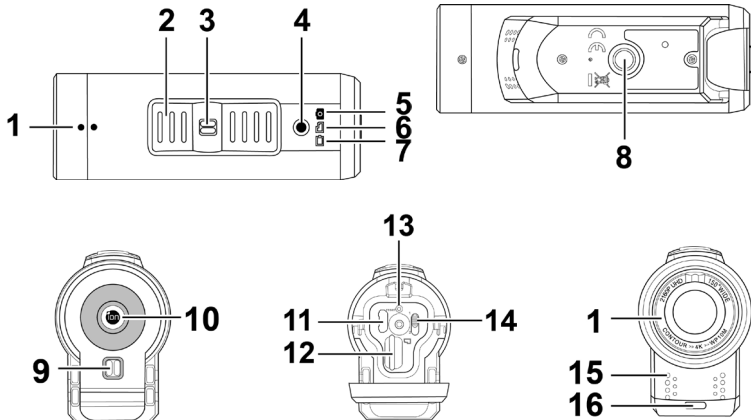


4



2. CAMERA DIAGRAM KEY

- | | | | | | |
|---|---------------------|----|-------------------|----|----------------------------------|
| 1 | Rotating Lens | 7 | Battery Status | 13 | Reset Button |
| 2 | Record Slider | 8 | Tripod hole | 14 | 1-2 Settings Switch |
| 3 | Record Slider Lock | 9 | Door Lock | 15 | Microphone |
| 4 | Recording Indicator | 10 | Status Button | 16 | Laser Line & Recording Indicator |
| 5 | Photo Mode Status | 11 | USB | | |
| 6 | Memory Status | 12 | microSD Card Slot | | |



3. SETTING UP

Download iON 4K Storyteller to your PC/Mac from the iON 4K website. The link below will help you set up your camera to make sure it is registered, update the time on your camera, and get the settings dialed to your custom configuration.

<http://www.ioncamera.com/start> iON 4K

4. CHARGING THE BATTERY

Slide the door up to open.

Connect your camera to a PC/Mac using the supplied USB Cable.

The Battery Status LED indicates the charge level of the battery. It will change colors from red to green as the battery charges.

Charge is fully complete when the Battery Status LED turns green. This can take up to three hours.

5. FORMATTING THE microSD CARD

Format the microSD Card prior to recording so your camera is able to properly read and write to it.

Caution: formatting the card will erase everything on it

Check that the Record Slider is in the off position. Open the back of your camera then press and hold the Format Button until the camera beeps (three to five seconds), then release the Format Button. The microSD Card LED will flash while the card is formatting and then turn solid green when the format is complete.

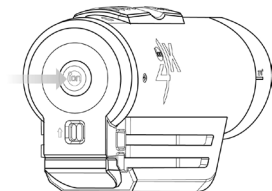
The iON 4K is compatible with:

- microSD compatibility.
- SDSC (standard capacity) 4GB class 4 card minimum.
- SDHC (high capacity) class 4, 6, or 10 microSD Cards up to a maximum capacity of 32GB.

6. CAMERA STATUS

Pressing the Status Button will:

- Activate the Laser Line for 15 seconds.
- Display the current battery and memory status.



MEMORY STATUS LED

Green: 50% or more

Yellow: 20 to 50%

Red: 20% or less

BATTERY STATUS LED

Green: 50% or more

Yellow: 20 to 50%

Red: 20% or less

ERROR CONDITIONS

- Battery LED flashes red: the battery is almost empty.
- Memory LED flashes and there are continuous beeps: the microSD Card cannot be accessed because the card is full, missing, or not properly formatted.

7. CAMERA SETTINGS

To adjust the settings on your camera, download and install the iON Storyteller app to your PC/Mac.

Web: www.ioncamera.com

With the camera connected to your computer, go to the Tools -> Configure Camera menu in iON Storyteller.

Here you can adjust:

Video:

2160p video at 30/25 frames per second

1080p video at 120/60/30/100/50/25 frames per second

720p video at 120/60/30/100/50/25 frames per second

WVGA (480p) at 240/30/200/25 frames per second

Continuous Photo Mode (with photos taken single shot, burst (2, 5, 10 and 10/2 seconds))

Audio

Mic sensitivity

Lighting

White-balance settings

Lights

LED and laser settings

Mic. Sensitivity

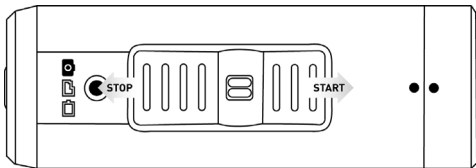
Lighting Filter

1-2 Switch

The 1-2 Switch on the back of your camera allows you to preset your iON 4K with two different configurations that can be easily changed in the field. The settings for each switch position can be set up using iON 4K Storyteller.

8. RECORDING

- **Start Recording:** Move the Record Slider Lock so that the red square is not showing and then slide the Record Slider forward. Your camera will power on, beep once, and the Record Status LED will turn red, indicating that the camera is now recording a video.
- **Stop Recording:** Slide the Record Slider back. Your camera will beep twice, and the Record Status LED will switch off, indicating that your camera has stopped recording and is powered off.



- **Record Slider Lock:** The small switch on top of the Record Slider is used to keep the Record Slider from turning on or off. To move the Record Slider forward or back, have the Record Slider Lock moved so that the red square is not showing. To prevent the Record Slider from moving in either the record or off positions, move the Record Slider Lock so that the red square is visible.

9. INSTANT PHOTO MODE

- **Activate Instant Photo Mode:** Press and hold the Status Button for three seconds. You will hear two beeps and see the photo LED turn green, indicating that Instant Photo Mode has been activated.
- **Take photographs by pressing the Status Button.** You will hear a beep and the photo LED will flash to indicate that a photograph has been taken.
- **Turn off Instant Photo Mode:** Turn off Instant Photo Mode by pressing and holding the status button for two to four seconds. The camera will beep three times and the photo LED will flash and then turn off, indicating that Instant Photo Mode is turned off.
- If a photo has not been taken for 60 seconds or longer, your camera will automatically power down.

10. MOUNTING

Getting the best shot depends only on your creativity. iON offers a wide range of mounts that let you put the camera just about anywhere, so be creative.

Remember that your iON 4K has a wide-angle lens and objects that are far away will seem smaller than you expect in your videos.

11. ALIGNMENT

Your iON 4K has a Laser Line that helps ensure you have the horizon properly aligned in your videos. To use, activate the Laser Line by pressing the Status Button; place your hand in front of the Laser Line or aim it on to a flat surface a few feet in front of you and rotate the lens (up to 270°) until the Laser Line is horizontal. When mounting the camera on your helmet or goggles, you may discover that you look down more than you thought. It may take a few practice videos to find the right alignment.

12. ADHESIVE MOUNTS

Clean and dry the mounting surface before applying an adhesive mount. We suggest cleaning the surface with a small amount of alcohol and applying the mount at room temperature. Let the adhesive cure for 24 hours before use.

Read all safety information below and operating instructions before using iON 4K camera to avoid injury

WATERPROOF

Your iON 4K is waterproof to a depth of 10 meters (30 feet) without the use of a waterproof case.

CAUTIONS AND WARRANTY

This Important Product Information Guide contains regulatory, safety, handling, disposal and recycling information, as well as the 1 year limited warranty for your iON 4K camera. Read all safety information below and operating instructions before using iON 4K camera to avoid injury.

WARNING: Failure to follow these safety instructions could result in fire, electric shock, or other injury or damage.

BATTERY AND HANDLING

iON 4K uses a non-removable, non-changeable, rechargeable lithium-ion, 3.7V, 1500mAh battery. The battery may present a hazard if mistreated. Do not disassemble or crush the camera. To charge, only use the USB Cable with a high power USB port on a computer or other device that is compliant with the USB 2.0 or 1.1 standards, car, or battery charger.

Correct Disposal of this product



This marking indicates that this product should not be disposed with other household wastes throughout the U.S. To prevent possible harm to the environment or human health from uncontrolled waste disposal, recycle it responsibly to promote the sustainable reuse of material resources. To return your used device, please use proper return and collection systems or contact the retailer where the product was purchased. They can take this product for environmental safe recycling.

DISPOSAL INFORMATION

Do not dispose of the iON 4K camera in a fire. Dispose of the camera and its internal battery in accordance with local laws and regulations.

LEASH USE: DO NOT ATTACH THE LEASH TO THE CAMERA WHEN THE CAMERA IS MOUNTED ON HELMET OR GOGGLES, WHEN THE CAMERA WILL BE USED IN HIGH WINDS OR AT HIGH VELOCITIES, OR IN ANY OTHER CIRCUMSTANCES WHEREBY THE CAMERA COULD CAUSE INJURY OR HARM IN THE EVENT THAT IT COMES LOOSE FROM THE MOUNT AND REMAINS TETHERED BY THE LEASH. BY ATTACHING THE LEASH TO THE CAMERA, YOU AGREE TO WAIVE ANY CLAIMS AGAINST iON, INC. AND ANY OF ITS AFFILIATES, AGENTS, EMPLOYEES, OFFICERS OR DIRECTORS ARISING FROM THE USE OF THE LEASH. ANY CLAIMS AGAINST iON, INC. ANY OF ITS AFFILIATES, AGENTS, EMPLOYEES, OFFICERS OR DIRECTORS ARISING FROM THE USE OF THE LEASH.



FCC Statement

This equipment has been tested and found to comply with the limits for a Class B digital device, pursuant to part 15 of the FCC Rules.

These limits are designed to provide reasonable protection against harmful interference in a residential installation. This equipment generates, uses and can radiate radio frequency energy and, if not installed and used in accordance with the instructions, may cause harmful interference to radio communications. However, there is no guarantee that interference will not occur in a particular installation. If this equipment does cause harmful interference to radio or television reception, which can be determined by turning the equipment off and on, the user is encouraged to try to correct the interference by one or more of the following measures:

- Reorient or relocate the receiving antenna.
- Increase the separation between the equipment and receiver.
- Connect the equipment into an outlet on a circuit different from that to which the receiver is connected.
- Consult the dealer or an experienced radio/TV technician for help.

FCC Radiation Exposure Statement

This device complies with FCC SAR exposure limits set forth for an uncontrolled environment.

This device complies with Part 15 of the FCC Rules. Operation is subject to the following two conditions: (1) this device may not cause harmful interference, and (2) this device must accept any interference received, including interference that may cause undesired operation.

Caution!

Any changes or modifications not expressly approved by the party responsible for compliance could void the user's authority to operate the equipment.



CE: Hereby, World Wide Licenses Limited declares that this device is in compliance with the essential Requirements and other relevant provisions of Directive 1999/5/EC. The full text of the EU declaration of conformity is available at

The following internet address: www.ioncamera.com

CE SAR:

RF exposure (SAR): The device can safely be used with a distance of 0 mm to the human body.

Web: www.ioncamera.com