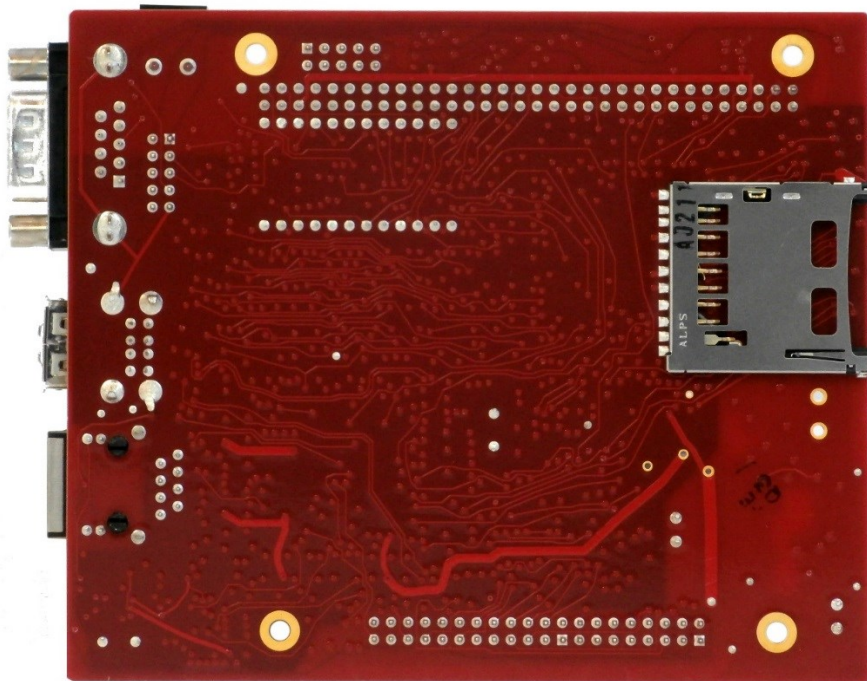
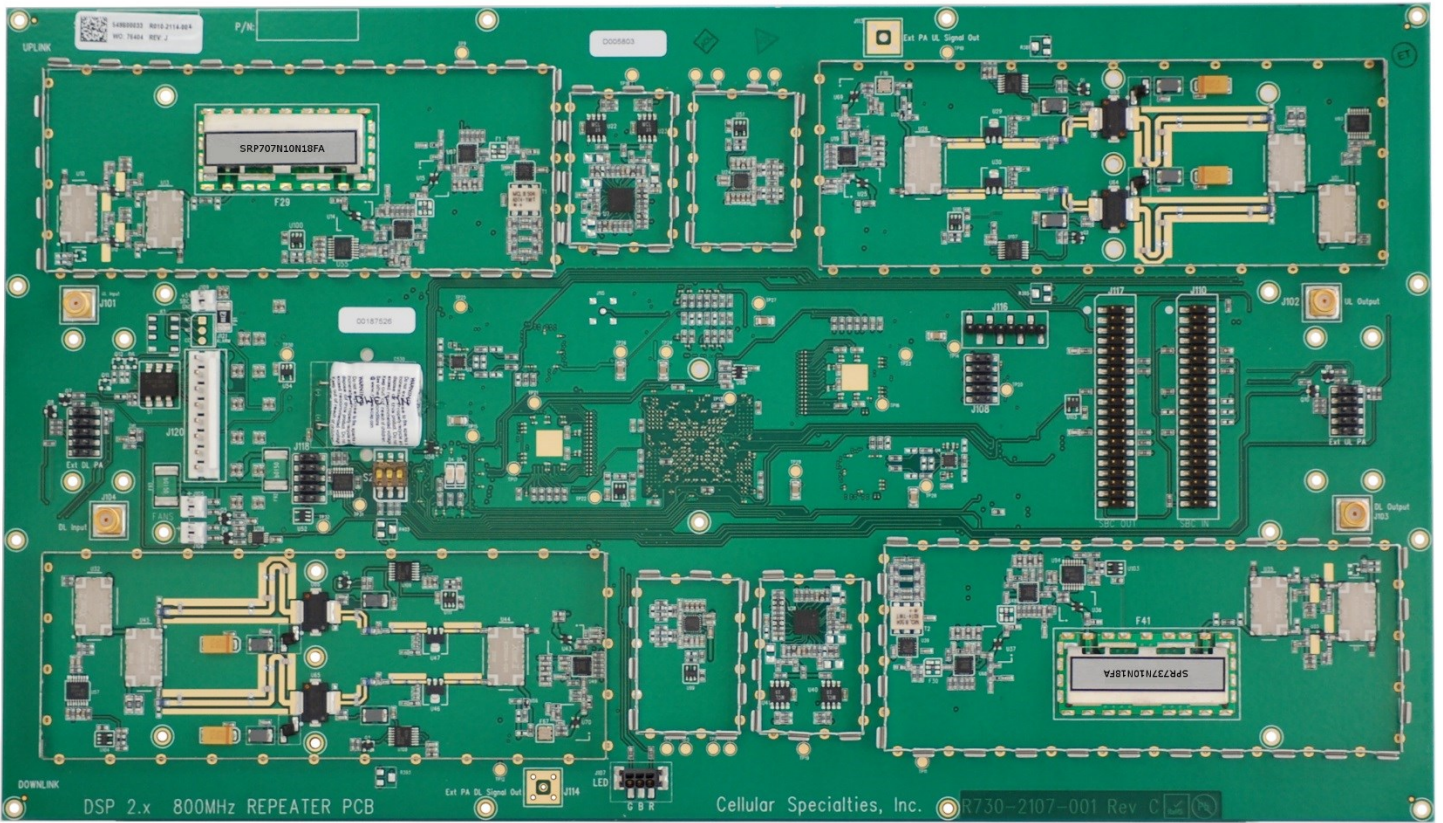


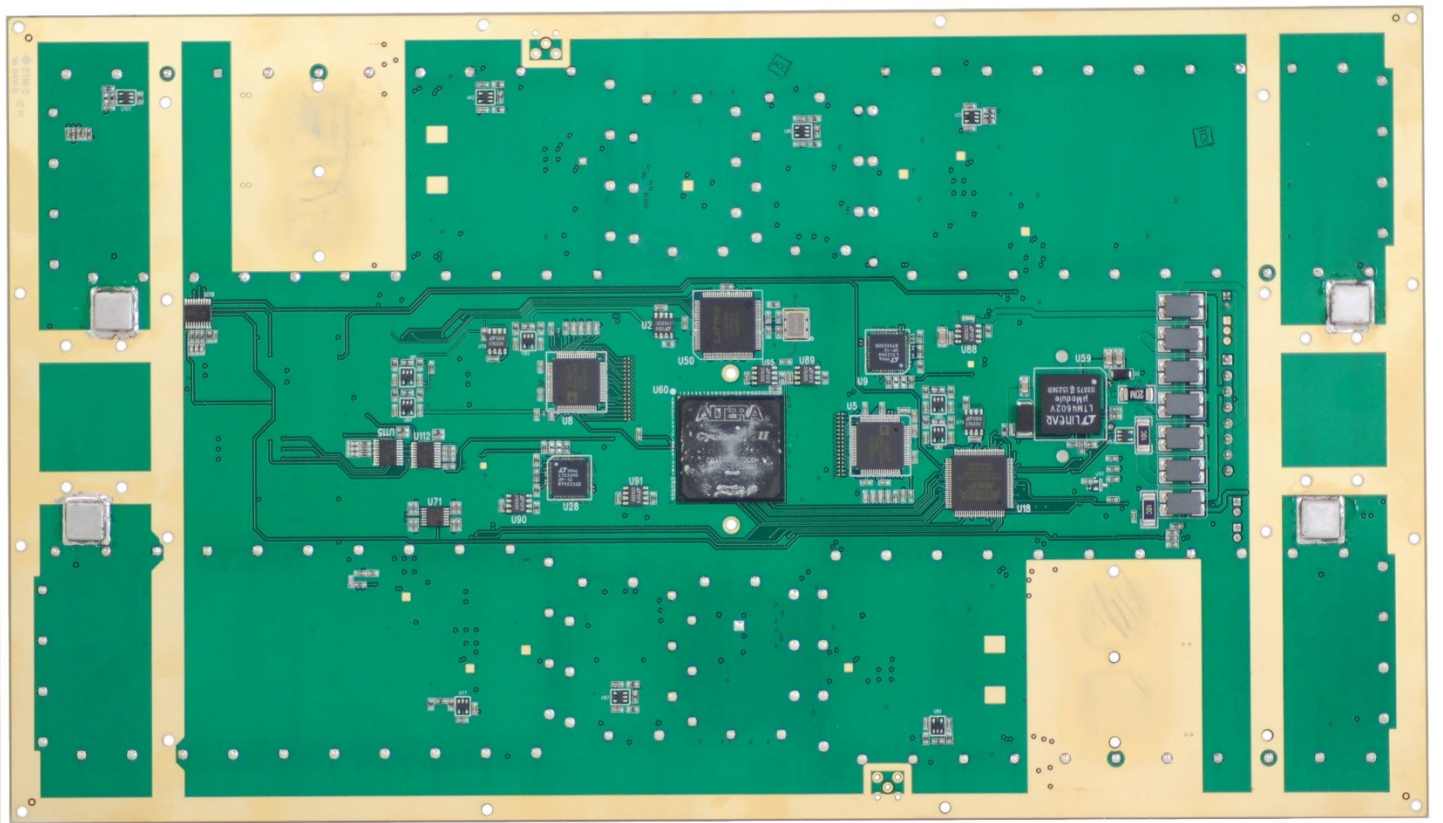
Single Board Computer Comp Side (451-1000-00)



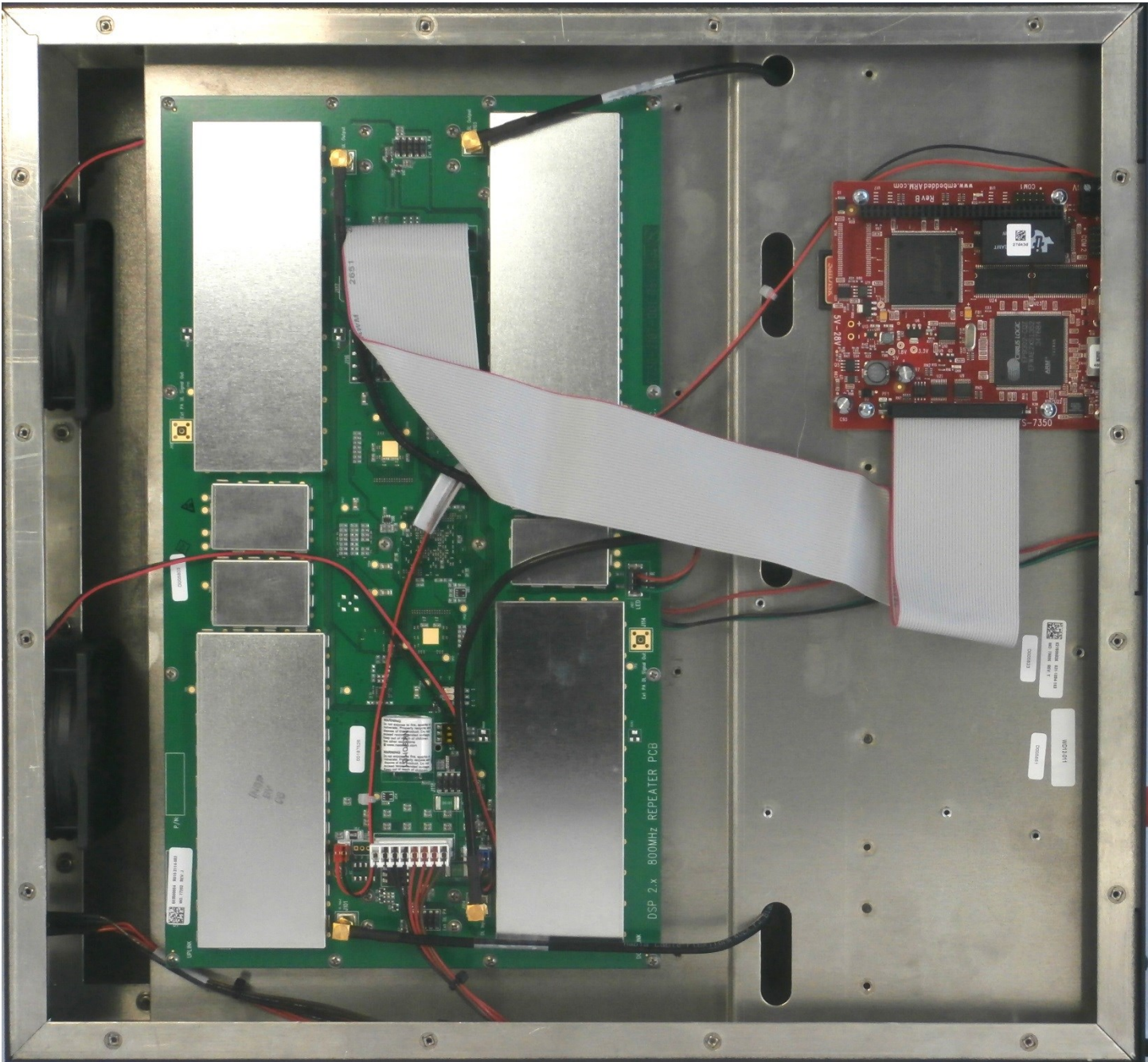
Single Board Computer Non-Comp Side (451-1000-00)



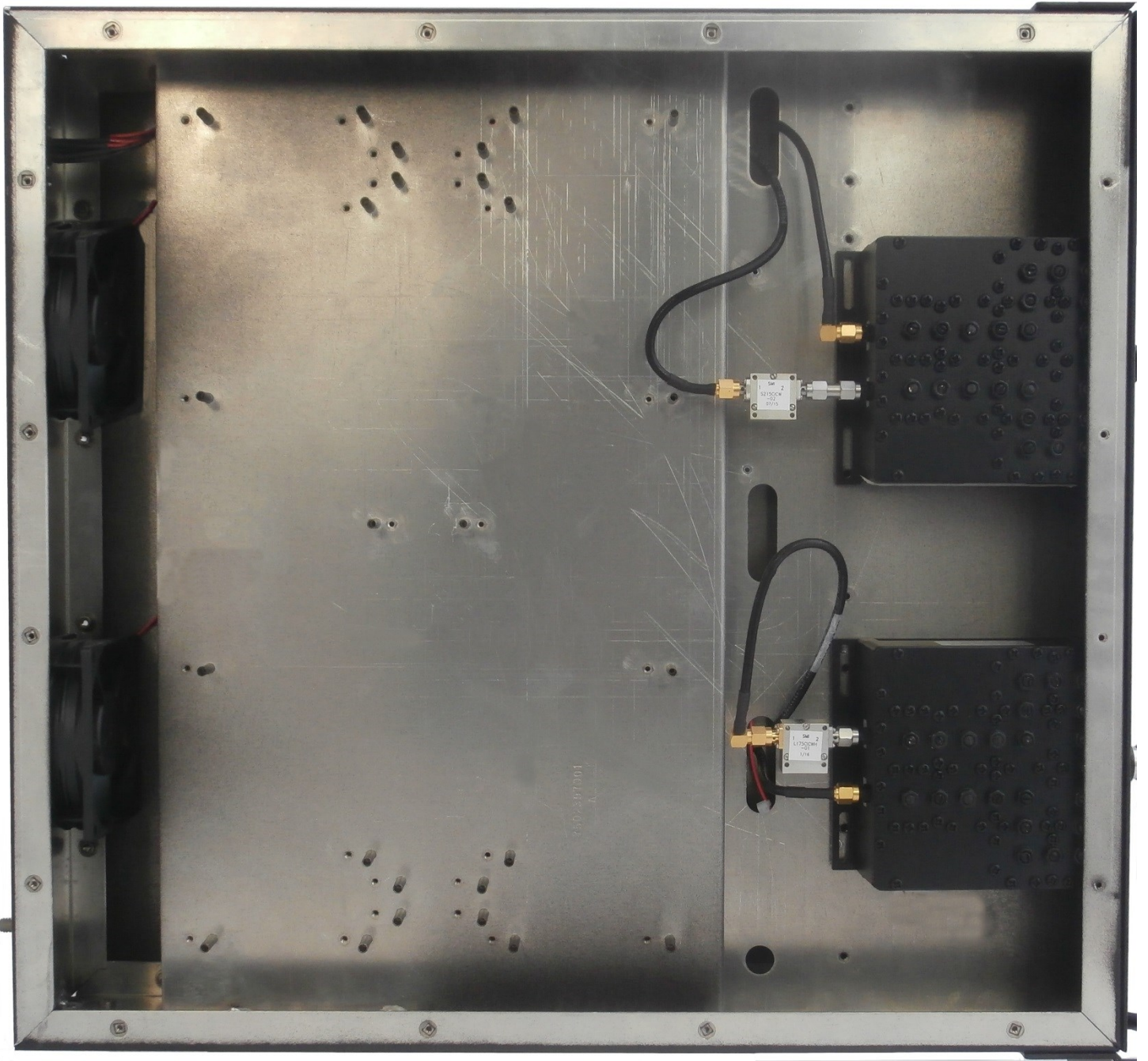
PCB/A DSP 2.X L7 R010-2114-004 COMP SIDE



PCB/A DSP 2.X L7 R010-2114-004 NON-COMP SIDE



CHASSIE TOP INTERNAL



CHASSIE BOTTOM INTERNAL

