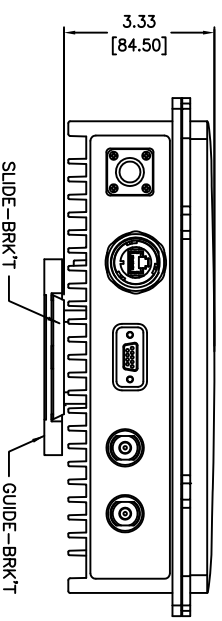
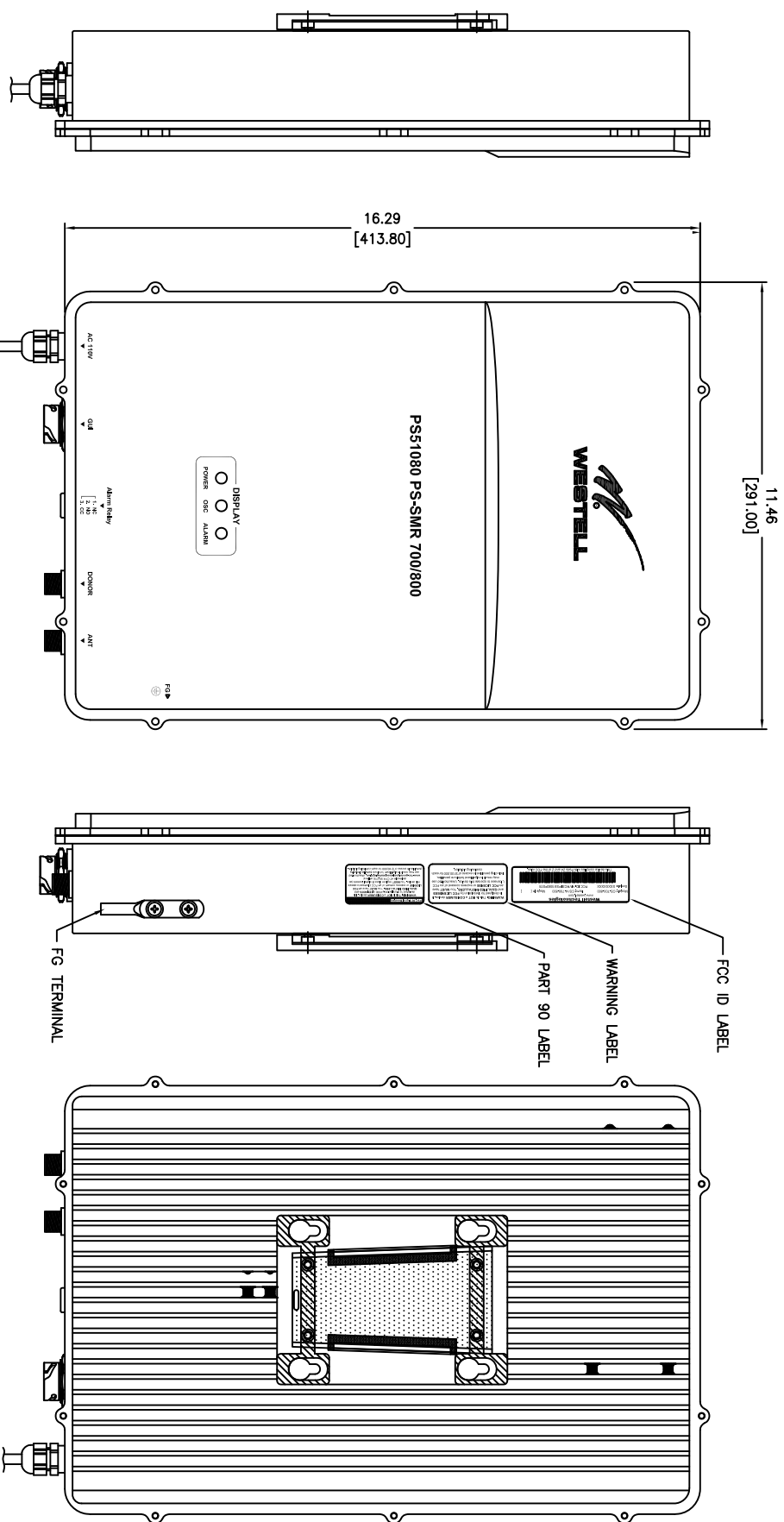
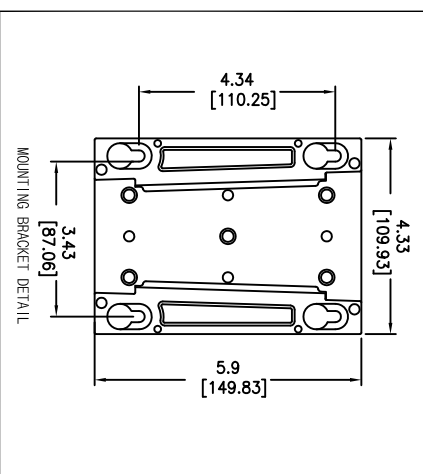


REV	DATE	DESCRIPTION	SIZE	APPROVED BY
020330	A	RELEASE TO PRODUCTION	12/18/15	AGILE

**CS14-700-800  
PS 700/800  
PROGRAMMABLE REPEATER  
SPECIFICATIONS**



Parameter	Specification	Notes
Frequency Range:	UL	Each Band 700 and 800 Independently Control by GUI
	DL	
Frequency Selectivity	UL / DL	@-40dBc ±2MHz
Gain	UL / DL	80dB(±1.0dB)
Sub Band Balance	UL / DL	±1.0dB
Gain Adjustment Range	UL / DL	30dB / 30dB (±1dB, 1dB step)
AGC Range	UL / DL	25dB / 25dB(±1dB)
Pass Band Ripple	UL / DL	±1.5dB (Peak-to-Peak 3dB)
Linear Output Power	UL / DL	+27dBm
3rd Order Intercept Point	UL / DL	+42.5dBm
1dB Gain Compression	UL / DL	31dBm
Input VSWR	UL / DL	<2:1
Maximum Input No Damage Power	UL / DL	+10dBm
Propagation Delay	UL / DL	3us
Noise Figure	UL / DL	<6.5dB @Max. Gain
Power Specifications		
Main Power Input Voltage	AC120V	Internal AC DC Power Supply
Power Connectors	IEC320	
Mechanical Specification		
DIMENSIONS	INCH	MM
Size (mm)	279 x 425.9 x 82.0 mm	10.98 x 16.77 x 3.23 IN
Connectors	Link/Service Antenna Ports	N - Female
	RJ45	User Interface (GUI)
	Alarm Relay(SS232)	9P D-SUB, Female
Mounting Type	Wall Mounting	
Enclosure Lock	Key Lock	
Heat Dissipation	Natural Convection	
Finish	Red Color Paint	
Environmental Specification		
Operating Temperature	-30 C - +50 C (ambient)	-22 - +118F
NEMA Grade	NEMA4 Compliance	
Humidity	95%	

DATE	REV	DESCRIPTION	BY	CHKD
12/15				

MODELING TOOL: PROE ENGINEERING DRAWING TOOL: PROE ENGINEERING CHECKED BY: [Signature] DATE: 12/15/15	TITLE: OUTLINE / SPECIFICATION PART NO: CS14-700-800 REV: A
--	---

WESTELL TECHNOLOGIES, INC. 870 N. Commercial Street, Manchester, NH 03101	TITLE: OUTLINE / SPECIFICATION PART NO: CS14-700-800 REV: A
--	---