

EXHIBIT D

Paragraph 2.983 (d)(7)

Circuit Diagrams

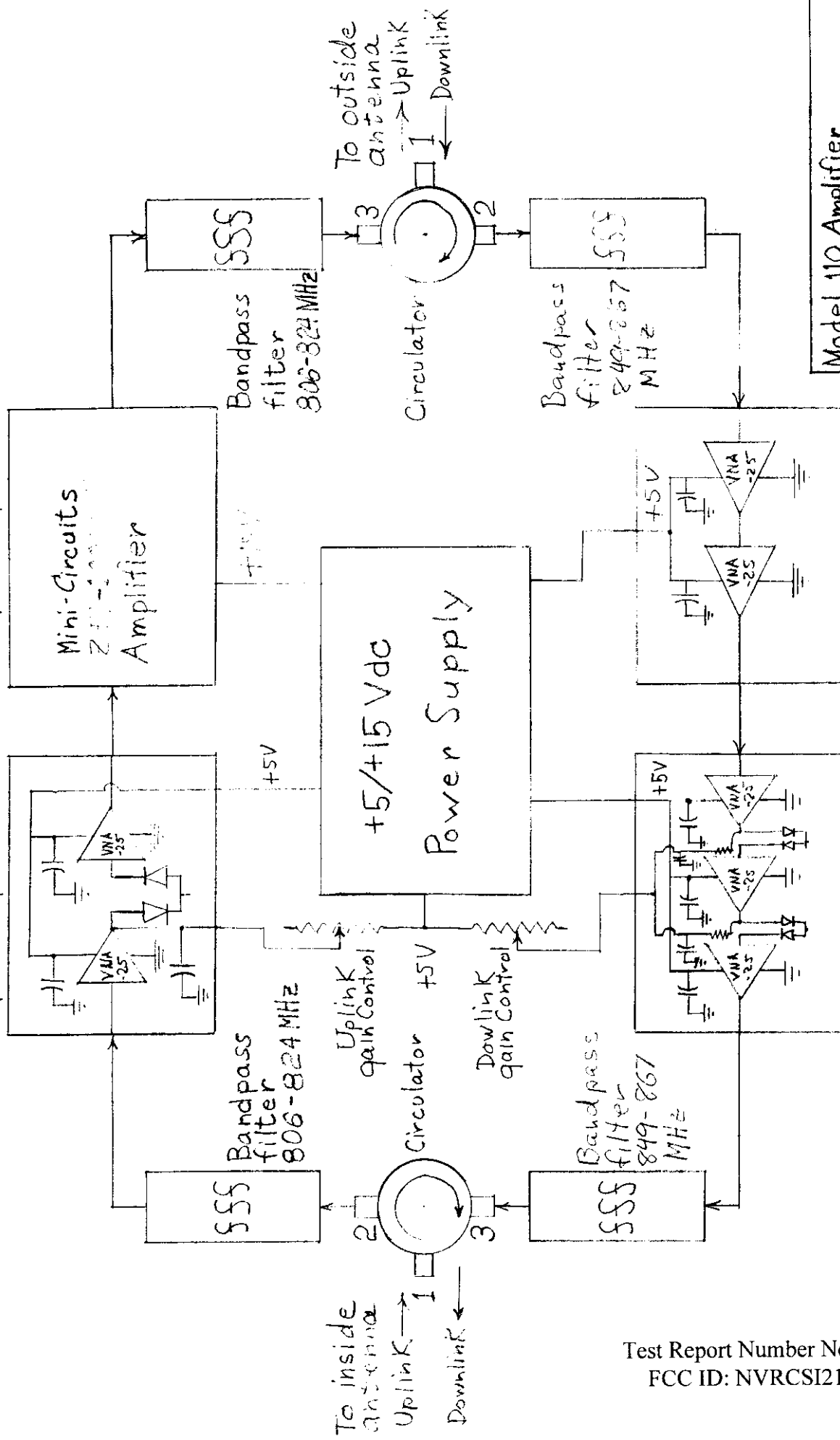


Retlif Testing Laboratories

Test Report Number No. R-3244N
FCC ID: NVRCSI210-01

2nd Uplink Amp ~ 28 dB

1st Uplink Amp ~ 15-32 dB



Model 110 Amplifier
 April 17, 1998
 Cellular Specialties, Inc.

1st Downlink Amp ~ 32 dB

2nd Downlink Amp ~ 25-55 dB