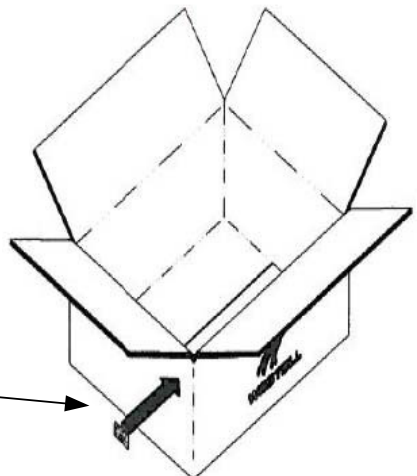
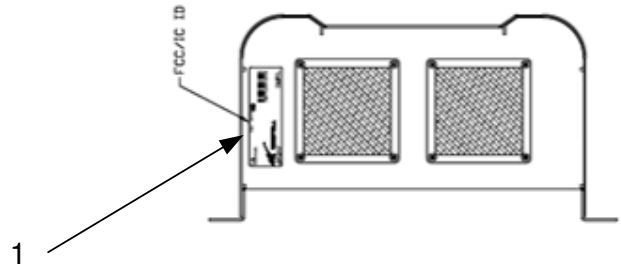
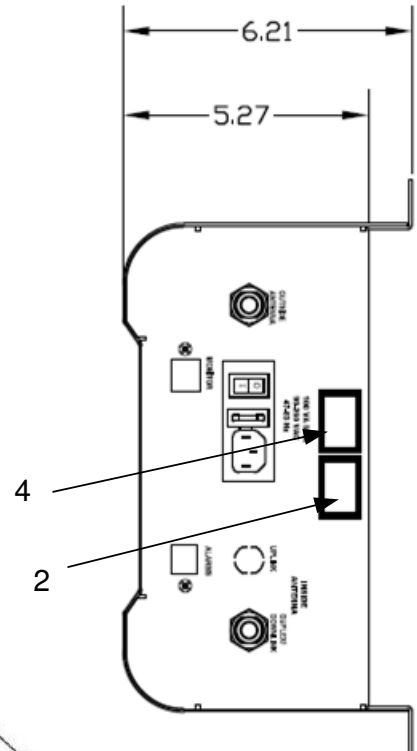
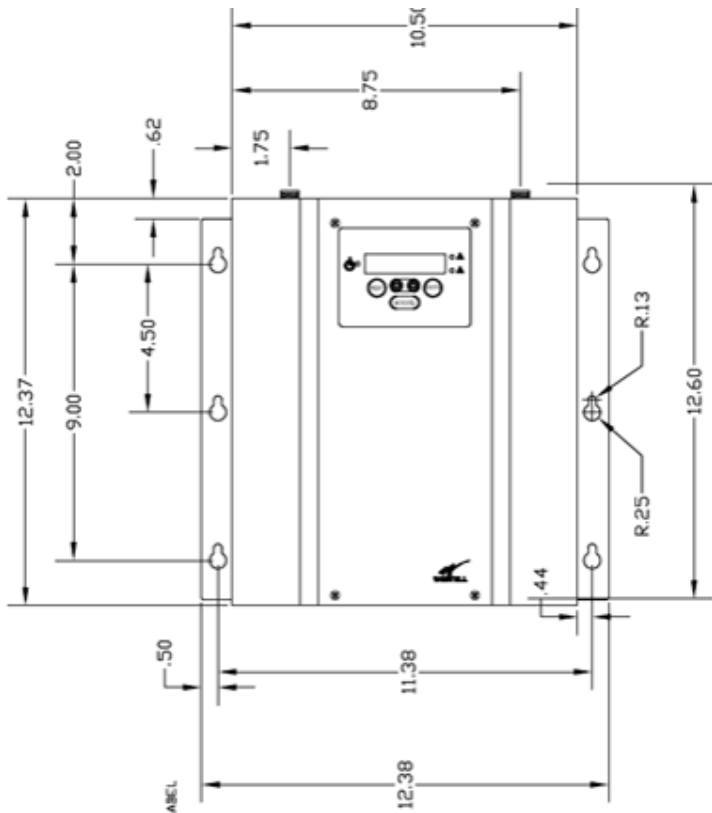



REV	CHANGE NO.	APPD	DATE
A	ECO 022579	AGILE	3/8/2017



NOTES:

- MATERIAL: WHITE POLYESTER LABEL STOCK WITH PERMANENT ADHESIVE MEETING UL-969 SPECIFICATIONS. SEE BOM FOR EXACT SIZING AND APPROVED LABEL STOCK SOURCES
1. PRODUCT LABEL WITH MODEL, ITEM, S/N, FCC ID, FCC PART 15 SYMBOL AND TEXT
 - 2/3. (KDB 935210 D02 V03R02 SECTION V F 1) FCC PART 90 CLASS B WARNING. WESTELL P/N D952-2197-002. ONE LABEL APPLIED TO PRODUCT AND THE OTHER TO THE PRODUCT CARTON IN LOCATION SHOWN
 4. (KDB 935210 D02 V03R02 SECTION IV C 1) FCC PART 20 INDUSTRIAL BOOSTER WARNING. WESTELL P/N D959-2197-001

<p>THIS DOCUMENT IS PROPERTY OF WESTELL. IT MAY NOT BE REPRODUCED OR COPIED WITHOUT THE WRITTEN PERMISSION OF WESTELL.</p>	<p>TITLE</p> <p>BDA610 FAL, FCC PART 20/90, LABEL PLACEMENT</p>		 <p>WESTELL</p>	
			<p>SHT 1 OF 1</p>	
	<p>DRAWN: JGAGE</p>	<p>DATE: 3/9/2017</p>	<p>094-002070</p>	<p>REV A</p>

ID Label/Location

Model: BDA610-S8	Rev: A 06/2016	FC	<small>This device complies with part 15 of the FCC Rules. Operation is subject to the following two conditions, (1) This device may not cause harmful interference, and (2) this device must accept any interference received including interference that may cause undesired operation.</small>
 WESTELL			 SN: YLLMM123456
FCC ID: NVRBDA610-S8			www.westell.com Assembled in USA

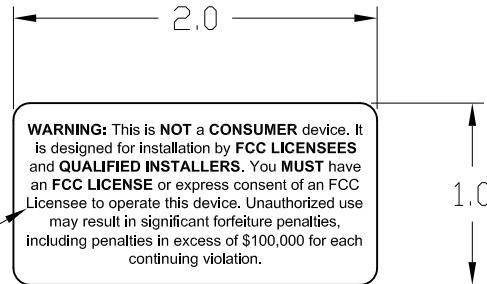
Drawing of FCC label
Dimensions: 3" X 1"

NOTES: UNLESS OTHERWISE SPECIFIED

1. MAKE FROM BLANK BRADY ITEM# THT-18-428-3(B-428) OR EQUIVALENT.
2. PRINT COLOR: BLACK
3. REFER TO P.O. FOR ITEM NUMBER INFORMATION NEEDED FOR LABEL.
4. SEEK FIRST ARTICLE APPROVAL OF LABEL FROM WESTELL.


REVISIONS				
ECO	REV	DESCRIPTION	DATE	APPROVED BY
3018	A	INITIAL RELEASE	2-25-14	M.P.
020277	B	CHG FROM CSI TO WESTELL	2-16-15	
020901	C	REMOVE B.O.M.	9-21-15	AGILE

LETTERING TO BE
ARIAL 6PT OR EQUIV.

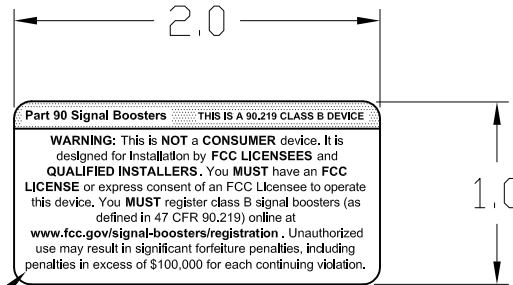


NOTES:

1. MAKE FROM MANUF. PN CILS, ALP1-9100V-1.
2. PRINT COLOR: BLACK

DRAWING PRACTICES PER ANSI-Y-14.5 MIL-STD-100 & 1000	UNLESS OTHERWISE SPECIFIED	DRAWN MJC	DATE 2-7-14	 WESTELL TECHNOLOGIES, INC 670 N. Commercial Street, Manchester, NH 03101	
REMOVE ALL BURRS AND SHARP EDGES	TOLERANCES ON	CHECKED Dennis Goodman	DATE 2-25-14		
SURFACE ROUGHNESS $32 \sqrt{\quad}$	DECIMALS .XX= ±.01 ANGLES .XXX= ±.005 ± 0°30'	ENG.APPD. Mark Pride	DATE 2-25-14		
	DIMENSIONS ARE IN INCHES AND APPLY BEFORE/AFTER PROCESSING	MFG APPD.	DATE		
FINISH:	MATERIAL: SEE NOTES	QUALITY APPD.	DATE	TITLE LBL FCC REPEATER UNIT/BOX	
<small>THESE DRAWINGS AND SPECIFICATIONS ARE THE PROPERTY OF WESTELL TECHNOLOGIES, INC. AND SHALL NOT BE REPRODUCED, COPIED, USED IN WHOLE OR IN PART AS THE BASIS FOR THE MANUFACTURE OR SALE OF ITEM(S) WITHOUT WRITTEN PERMISSION.</small>		SIZE A	FSCM NUMBER N/A		
		SCALE 1 / 1	WT NA	SHEET <u>1</u> OF <u>1</u>	


REVISIONS				
ECO	REV	DESCRIPTION	DATE	APPROVED BY
020330	D	ADD 90.219 NOTE TO LABEL TOP	4/16	AGILE



LETTERING TO BE
ARIAL 5PT OR EQUIV.

NOTES:

1. MAKE FROM MANUF. PN CILS, ALP1-9100V-1.
2. PRINT COLOR: BLACK

DRAWING PRACTICES PER ANSI-Y-14.5 MIL-STD-100 & 1000	UNLESS OTHERWISE SPECIFIED	DRAWN MJC	DATE 2-7-14	 WESTELL TECHNOLOGIES, INC 670 N. Commercial Street, Manchester, NH 03101	
REMOVE ALL BURRS AND SHARP EDGES	TOLERANCES ON	CHECKED Dennis Goodman	DATE 2-26-14		
SURFACE ROUGHNESS $\sqrt{32}$	DECIMALS ANGLES .XX = ±.01 .XXX = ±.005 ± 0°30'	ENG. APPD. Mark Pride	DATE 2-25-14		
	DIMENSIONS ARE IN INCHES AND APPLY BEFORE/AFTER PROCESSING	MFG APPD.	DATE		
FINISH:	MATERIAL: SEE NOTES	QUALITY APPD.	DATE	TITLE FCC PUBLIC SAFETY PART 90 LABEL	
THESE DRAWINGS AND SPECIFICATIONS ARE THE PROPERTY OF WESTELL TECHNOLOGIES INC. AND SHALL NOT BE REPRODUCED, COPIED, USED IN WHOLE OR IN PART AS THE BASIS FOR THE MANUFACTURE OF SALE OF ITEM(S) WITHOUT WRITTEN PERMISSION.		SIZE A	FSCM NUMBER N/A		
		SCALE 1 / 1	WT NA	SHEET 1 OF 1	