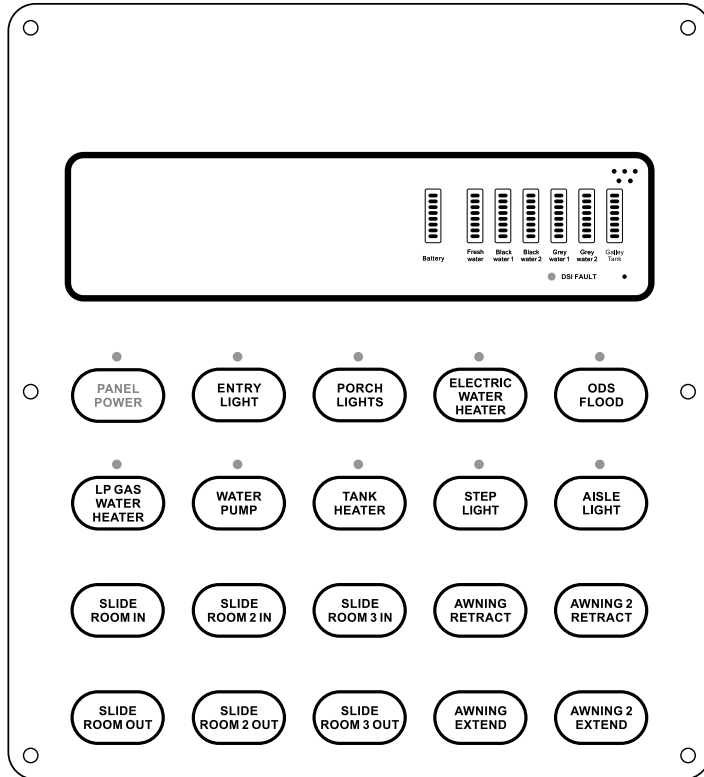
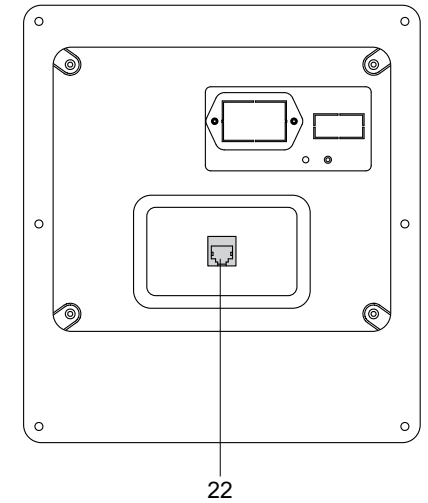
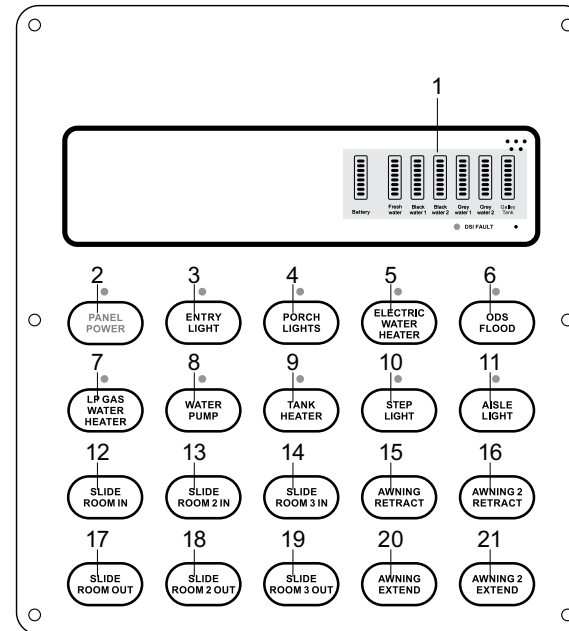


User Guide



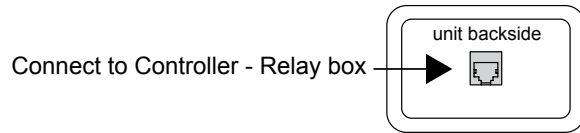
iRV Controller

Location of key buttons



1. SHOWS THE BATTERY / FRESH WATER / BLACK WATER 1 / BLACK WATER 2 / GREY WATER 1 / GREY WATER 2 / GALLEY TANK STATUS
2. PANEL POWER (ON/OFF)
3. ENTRY LIGHT (ON/OFF)
4. PORCH LIGHTS (ON/OFF)
5. ELECTRIC WATER HEATER (ON/OFF)
6. ODS FLOOD (ON/OFF)
7. LP GAS WATER HEATER (ON/OFF)
8. WATER PUMP (ON/OFF)
9. TANK HEATER (ON/OFF)
10. STEP LIGHT (ON/OFF)
11. AISLE LIGHT (ON/OFF)
12. CONTROL SLIDE ROOM IN
13. CONTROL SLIDE ROOM 2 IN
14. CONTROL SLIDE ROOM 3 IN
15. CONTROL AWNING RETRACT
16. CONTROL AWNING 2 RETRACT
17. CONTROL SLIDE ROOM OUT
18. CONTROL SLIDE ROOM 2 OUT
19. CONTROL SLIDE ROOM 3 OUT
20. CONTROL AWNING EXTEND
21. CONTROL AWNING 2 EXTEND
22. CONNECT TO THE CONTROLLER - RELAY BOX

General operations



Power On/Off

Press and hold (PANEL POWER) button to power on.
Press and hold (PANEL POWER) button to power off.

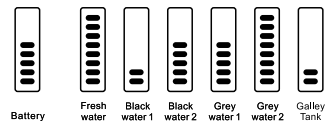
Press the button (3-11) briefly to operate ON/OFF as below:

3. ENTRY LIGHT (ON/OFF)
4. PORCH LIGHTS (ON/OFF)
5. ELECTRIC WATER HEATER (ON/OFF)
6. ODS FLOOD (ON/OFF)
7. LP GAS WATER HEATER (ON/OFF)
8. WATER PUMP (ON/OFF)
9. TANK HEATER (ON/OFF)
10. STEP LIGHT (ON/OFF)
11. AISLE LIGHT (ON/OFF)

Press and hold the button (3-11) to control as below:

12. CONTROL SLIDE ROOM IN
13. CONTROL SLIDE ROOM 2 IN
14. CONTROL SLIDE ROOM 3 IN
15. CONTROL AWNING RETRACT
16. CONTROL AWNING 2 RETRACT
17. CONTROL SLIDE ROOM OUT
18. CONTROL SLIDE ROOM 2 OUT
19. CONTROL SLIDE ROOM 3 OUT
20. CONTROL AWNING EXTEND
21. CONTROL AWNING 2 EXTEND

Symbol level shows the Battery / Fresh water / Black water 1 / Black water 2 / Grey water 1 / Grey water 2 / Gallery Tank status:



Warning: Changes or modifications to this unit not expressly approved by the party responsible for compliance could void the user's authority to operate the equipment.

Note: This equipment has been tested and found to comply with the limits for a Class B digital device, pursuant to Part 15 of the FCC Rules. These limits are designed to provide reasonable protection against harmful interference in a residential installation. This equipment generates, uses and can radiate radio frequency energy and, if not installed and used in accordance with the instructions, may cause harmful interference to radio communications. However, there is no guarantee that interference will not occur in a particular installation. If this equipment does cause harmful interference to radio or television reception, which can be determined by turning the equipment off and on, the user is encouraged to try to correct the interference by one or more of the following measures:

- Reorient or relocate the receiving antenna.
- Increase the separation between the equipment and receiver.
- Connect the equipment into an outlet on a circuit different from that to which the receiver is connected.
- Consult the dealer or an experienced radio/TV technician for help.

"This equipment complies with FCC RF radiation exposure limits set forth for an uncontrolled environment.

This equipment should be installed and operated with a minimum distance of 20 centimeters between the radiator and your body."