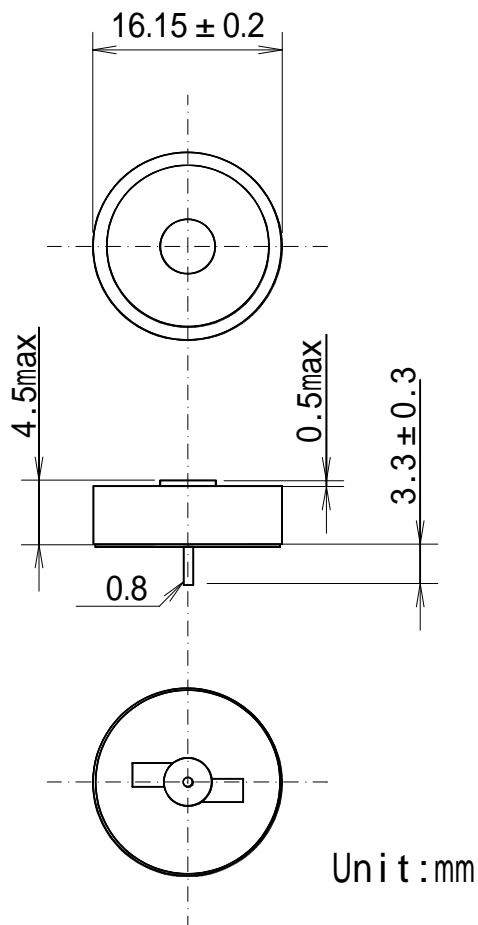


1. Dimensions




2. Type name

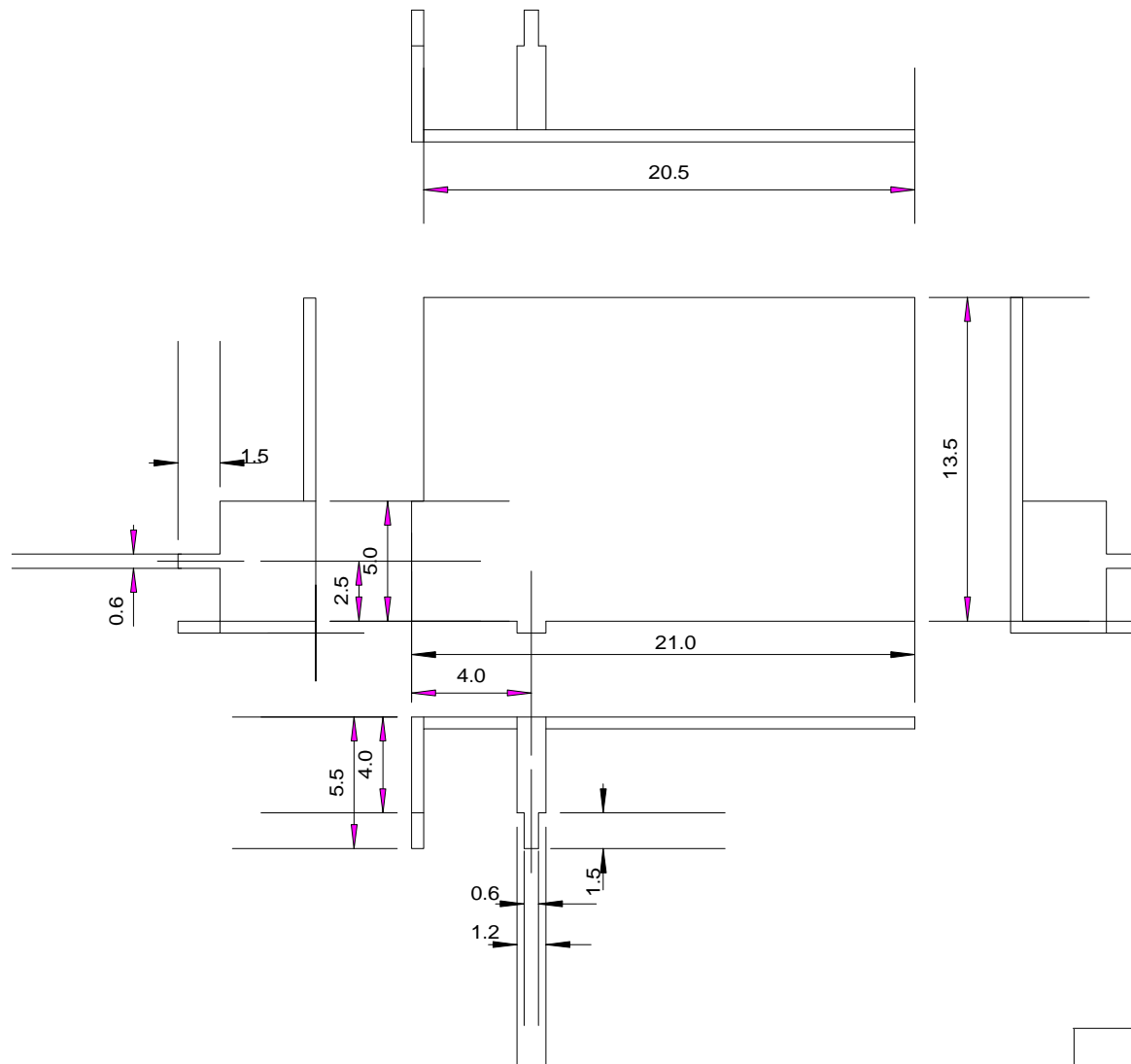
Capacity loadings type monopole antenna

3. Peak gain

Less than 2.15dBi (0dBi typ.)
(Omni-directional in azimuth)

PART No.	05-004-2450-8A
PART NAME	DAD2450CT8T
TITLE	DIELECTRIC ANTENNA
	TOKO inc.

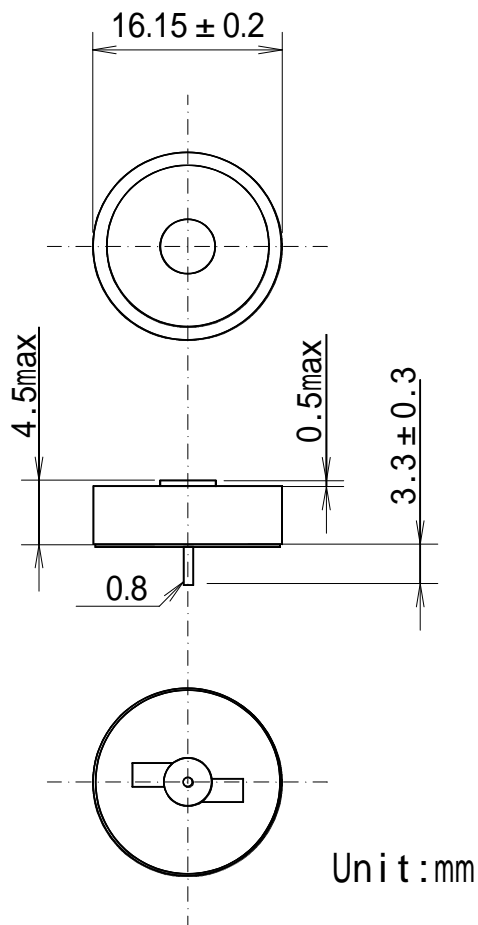
1. Dimensions



- 2. Type name
Planar Inverted F Antenna
- 3. Peak gain
Less than 2.15dBi (0dBi typ.)
(Omni-directional in azimuth)

		MATERIAL	SPT2 2.8/2.8 t=0.5mm
TOLERANCE	±0.2	FINISH	
UNIT	mm	PART No.	30-106-7231-0H
SCALE	Free	PART NAME	106-7231-00
APPROVAL		TITLE	TM11885 PLANAR INVERTED F ANTENNA
CHECK		DWG. No.	3-106-7231
DRAFT	KITAGAWA '00_09_16		
DESIGN	KITAGAWA '00_09_16		

1. Dimensions




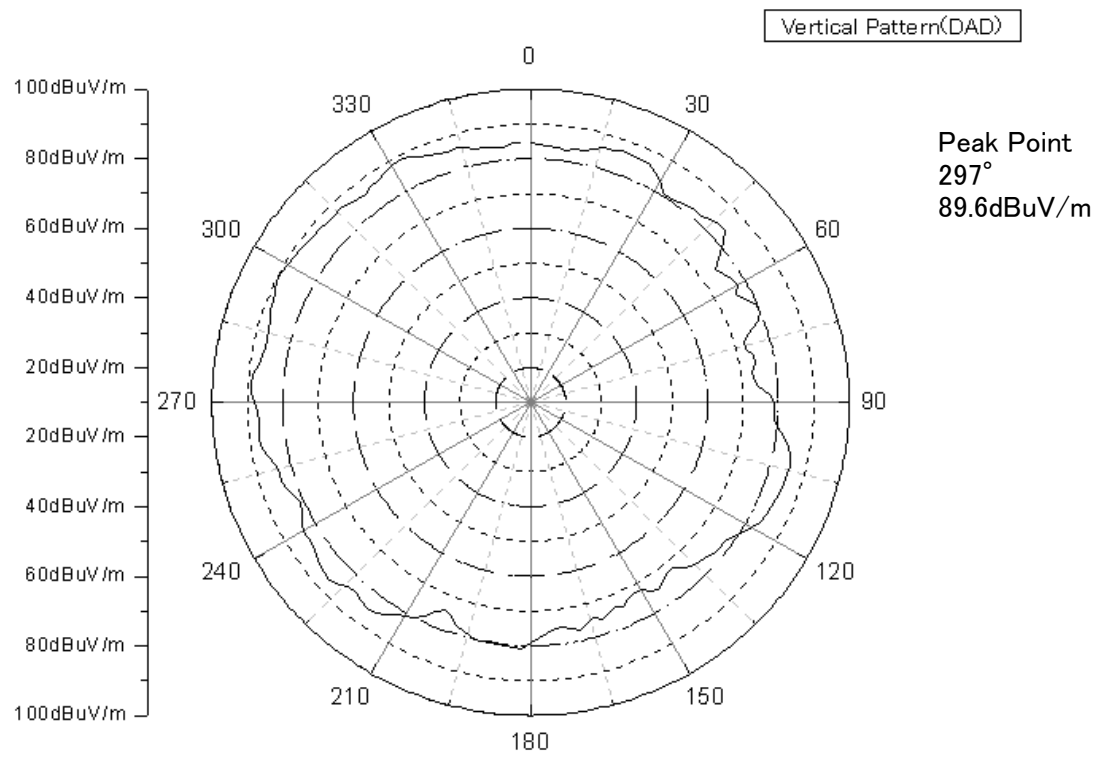
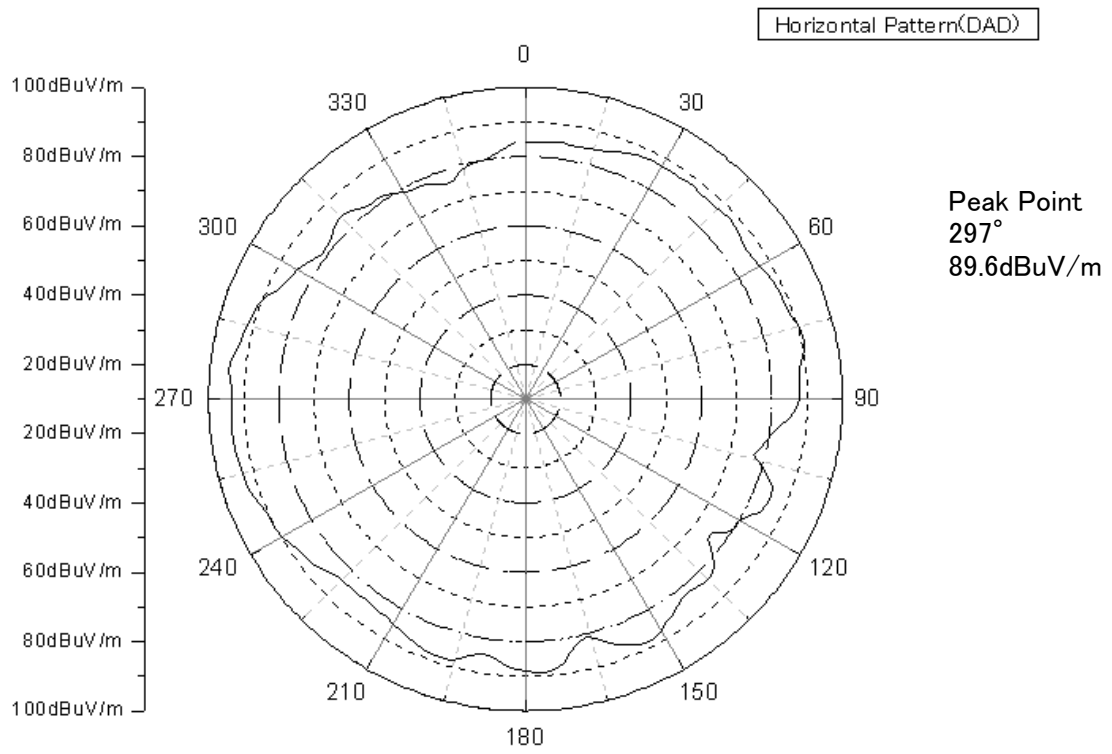
2. Type name

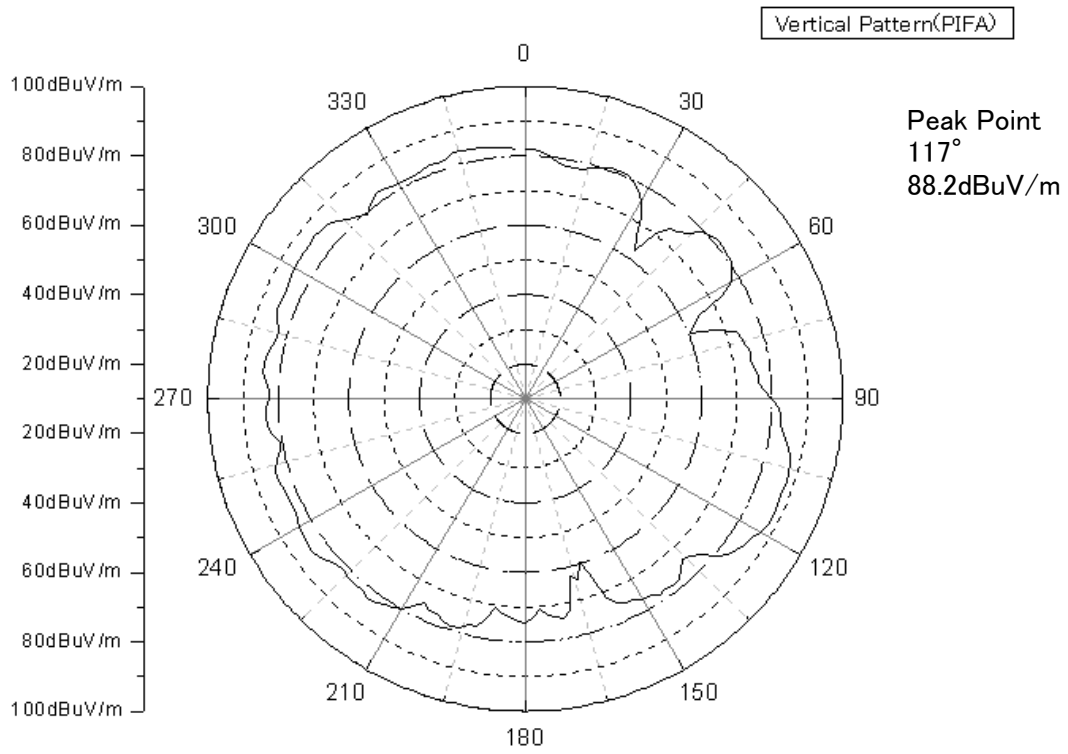
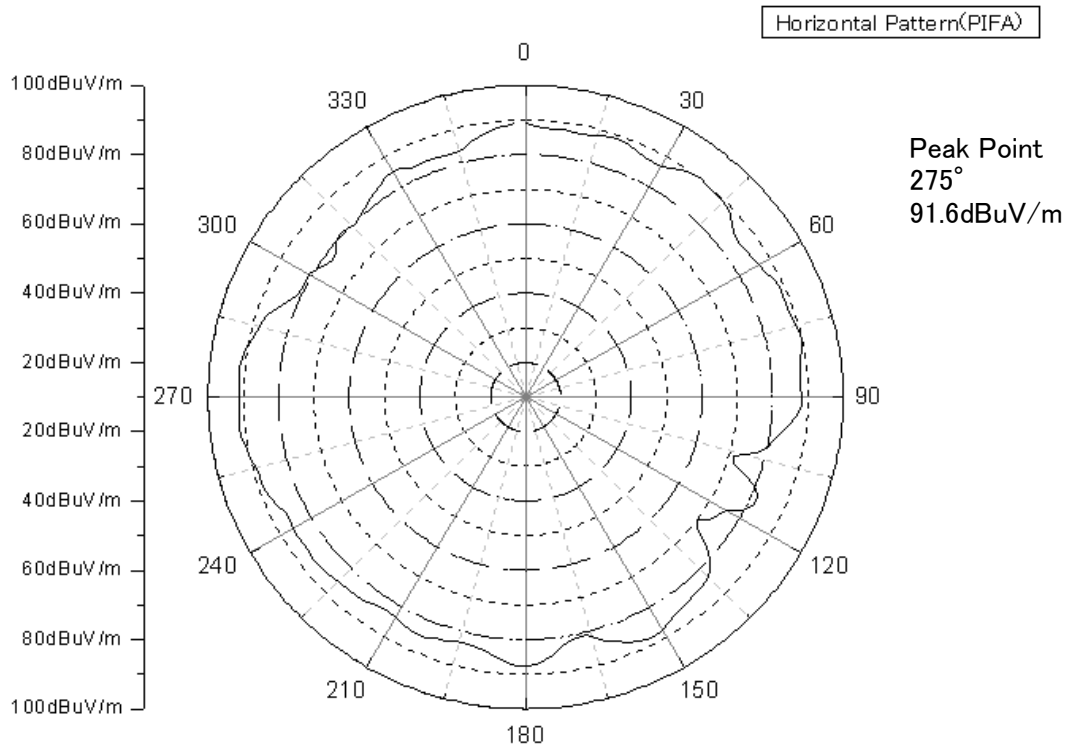
Capacity loadings type monopole antenna

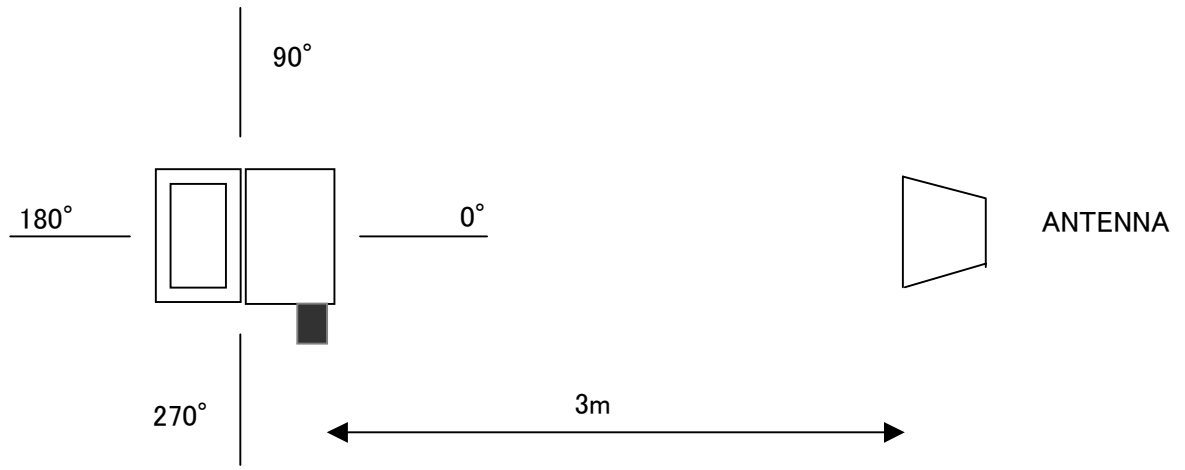
3. Peak gain

Less than 2.15dBi (0dBi typ.)
(Omni-directional in azimuth)

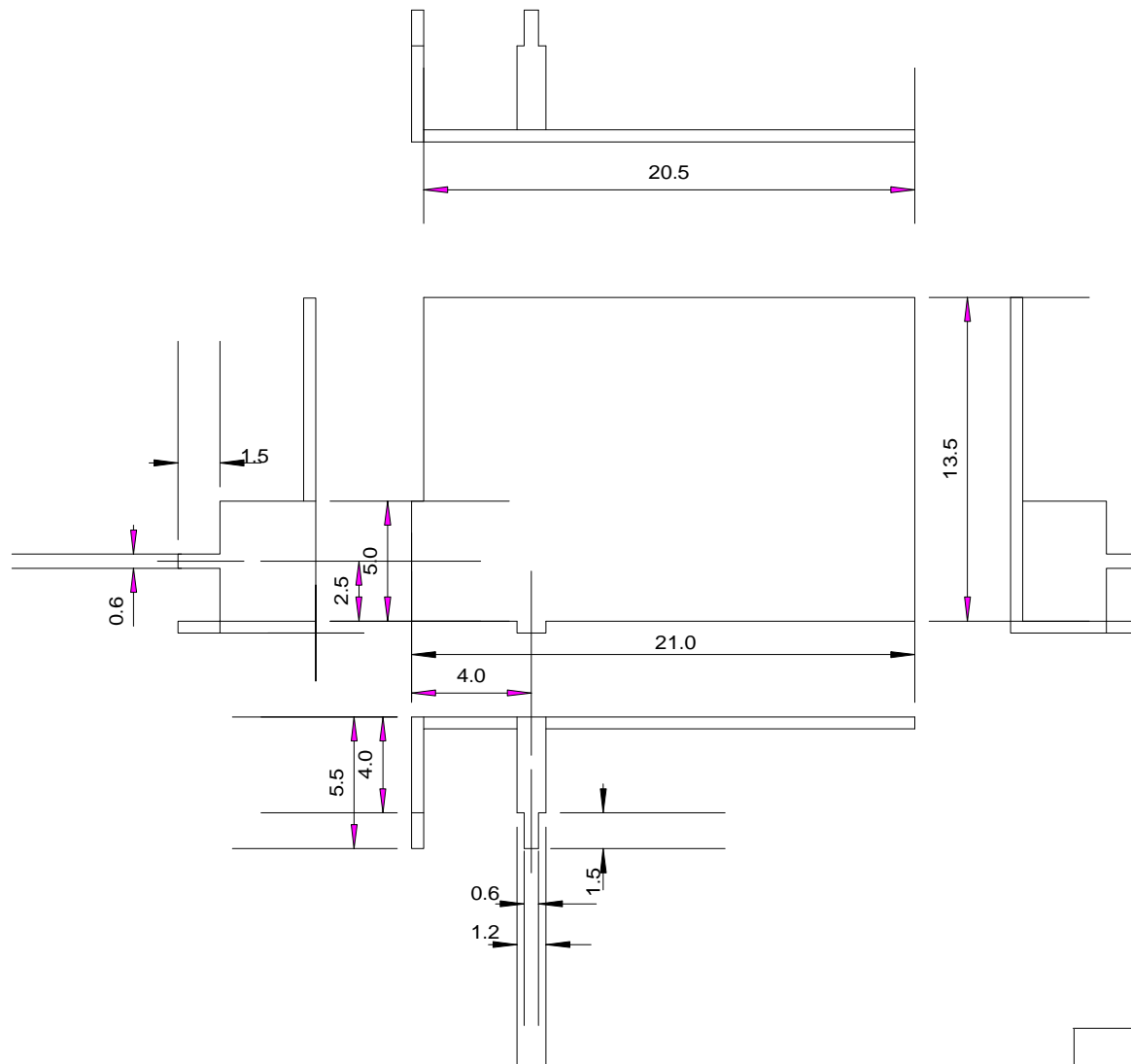
PART No.	05-004-2450-8A
PART NAME	DAD2450CT8T
TITLE	DIELECTRIC ANTENNA
	TOKO inc.







1. Dimensions



2. Type name
Planar Inverted F Antenna

3. Peak gain
Less than 2.15dBi (0dBi typ.)
(Omni-directional in azimuth)

		MATERIAL	SPT2 2.8/2.8 t=0.5mm
TOLERANCE	±0.2	FINISH	
UNIT	mm	PART No.	30-106-7231-0H
SCALE	Free	PART NAME	106-7231-00
APPROVAL		TITLE	TM11885 PLANAR INVERTED F ANTENNA
CHECK		DWG. No.	3-106-7231
DRAFT	KITAGAWA '00_09_16		
DESIGN	KITAGAWA '00_09_16		