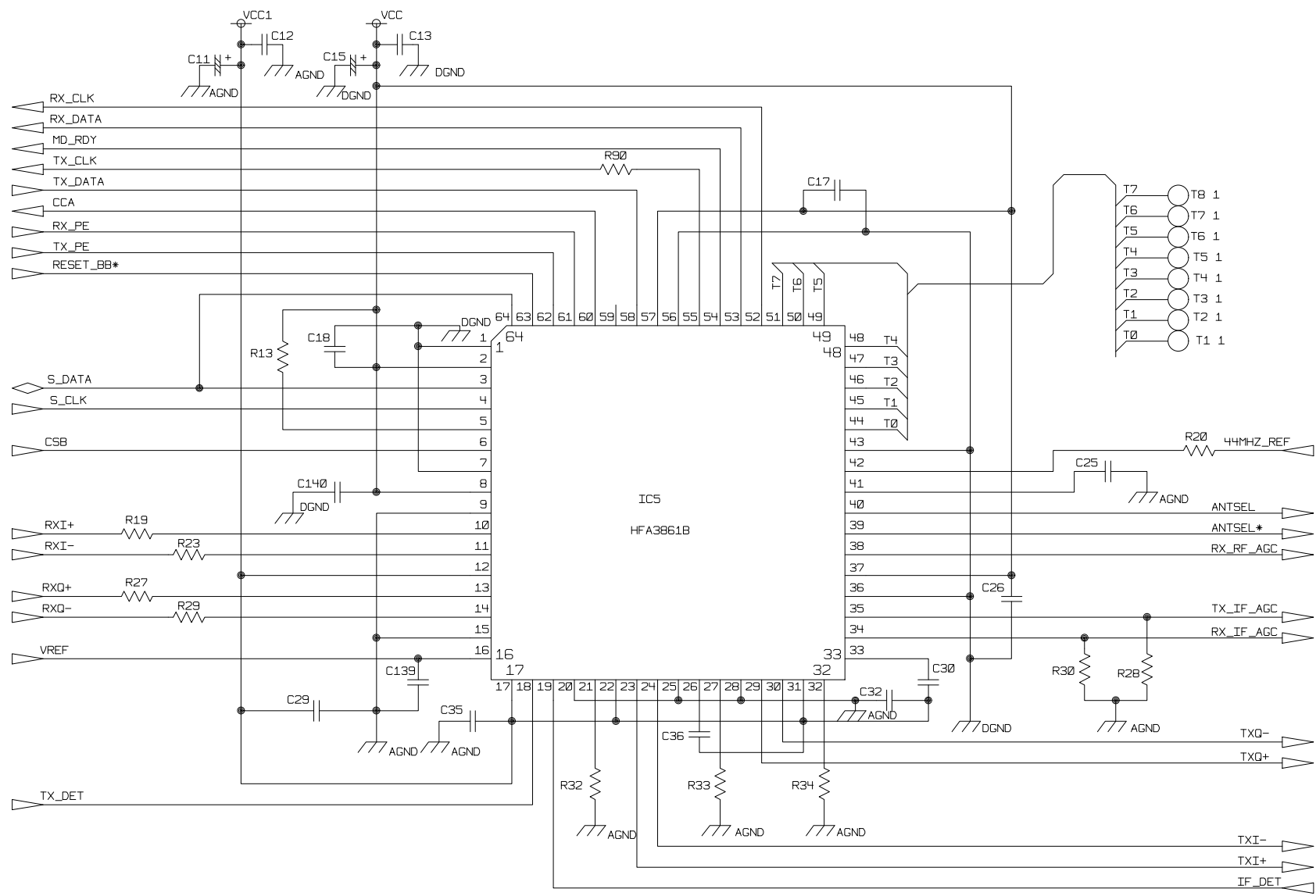


MATERIAL	TOLERANCE	ANGLE	MODEL	TITLE
FINISH	SCALE	TENTATIVE	PART NO.	TMW885 SCHEMATIC
	UNIT mm	DSN KITAGAWA	00.06.15	108-7190-00
	QUANTITY	DRN KITAGAWA	00.06.15	DWG. NO.
	CHK			REV. SHEET
	APRVD			1 / 4

REV.	DESCRIPTION	DATE	DRN	CHK	APRVD





MATERIAL	TOLERANCE	ANGLE	MODEL	TITLE
		SCALE	PART NO.	TMW885 SCHEMATIC
FINISH		UNIT mm	DSN KITAGAWA 00.06.15 DRN KITAGAWA 00.06.15	108-7190-00
		QUANTITY	CHK . . . APRVD . . .	DWG. NO.
				REV. SHEET 2 / 4

REV.	DESCRIPTION	DATE	DRN	CHK	APRVD



1 2 3 4 5 6 7 8 9 10 11

A

B

C

D

E

F

G

H

A

B

C

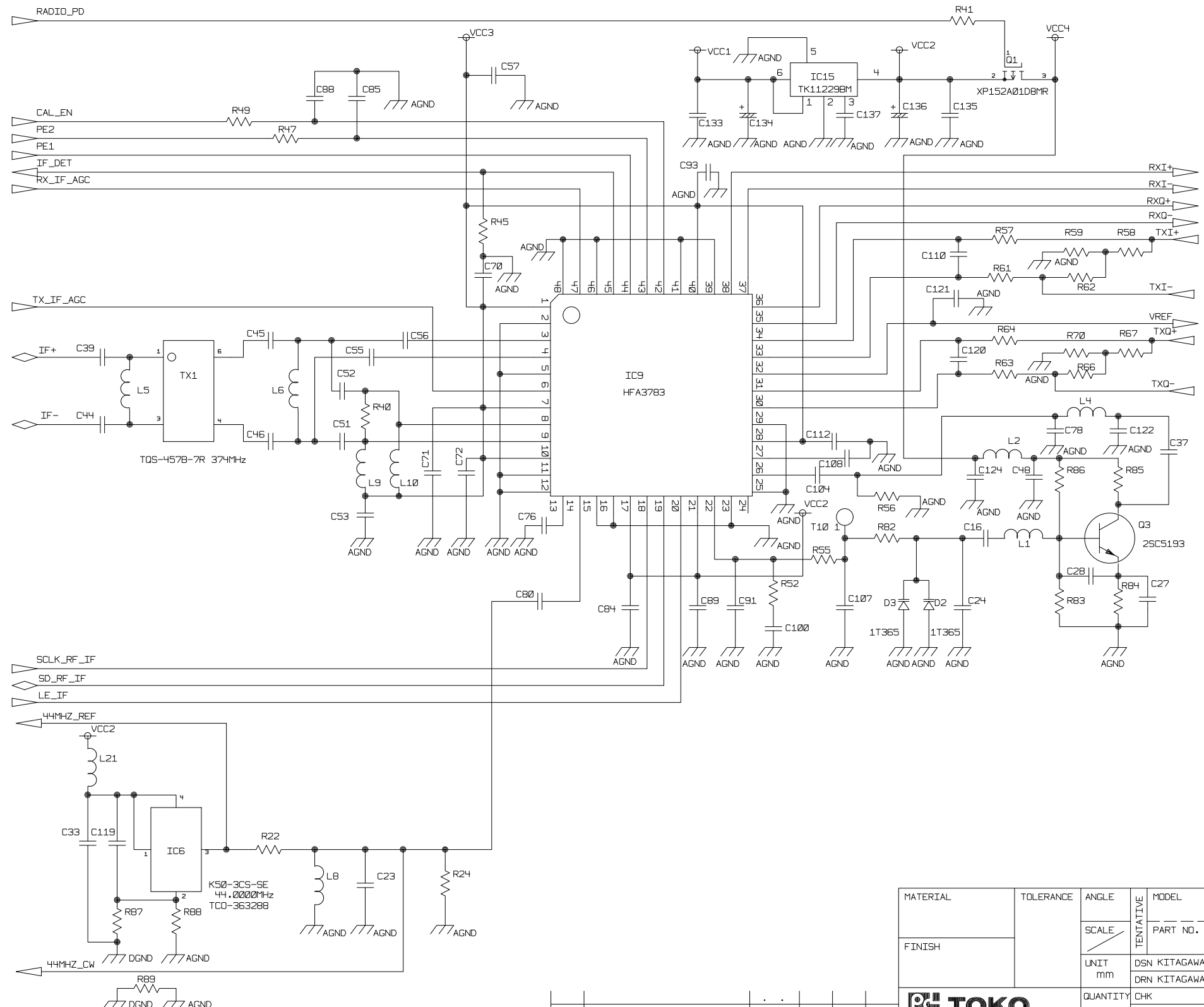
D

E

F

G

H



REV.	DESCRIPTION	DATE	DRN	CHK	APRVD

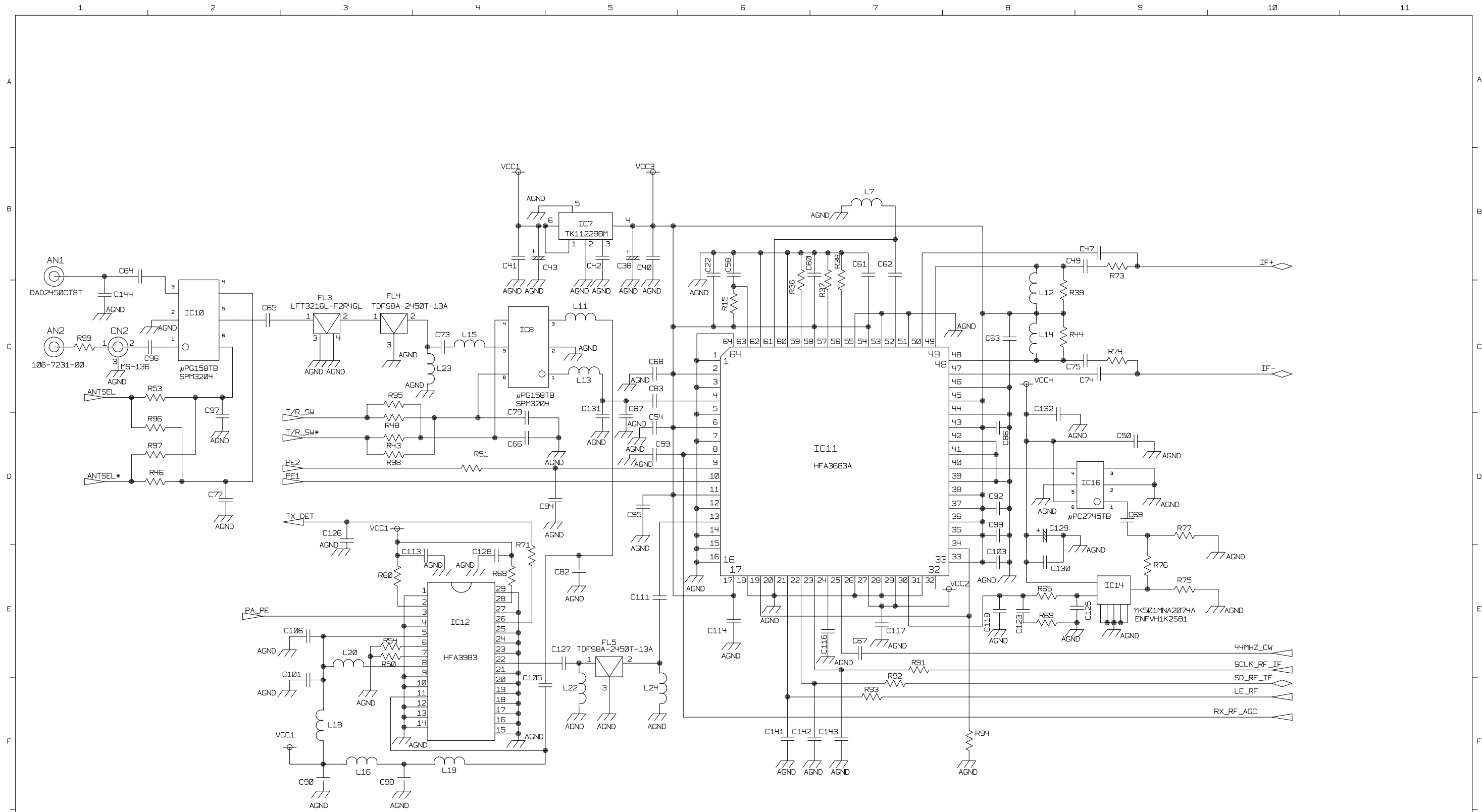
MATERIAL	TOLERANCE	ANGLE	MODEL	TITLE
FINISH	SCALE	TENTATIVE	PART NO.	TMW885 SCHEMATIC
				108-7190-00
				DWG. NO.
				REV. SHEET
				3 / 4



1 2 3 4 5 6 7 8 9 10 11

A B C D E F G H

1 2 3 4 5 6 7 8 9 10 11



MATERIAL	TOLERANCE	ANGLE	TENTATIVE	MODEL	TITLE	
				PART NO.	TMW885 SCHEMATIC	
FINISH		SCALE		DSN KITAGAWA	00.06.15	108-7190-00
		UNIT		DRN KITAGAWA	00.06.15	DWG. NO.
		QUANTITY		CHK		REV.
				APRVD		SHEET
						4
						4

REV.	DESCRIPTION	DATE	DRN	CHK	APRVD

