

Annex D

5 ANTENNA REQUIREMENT

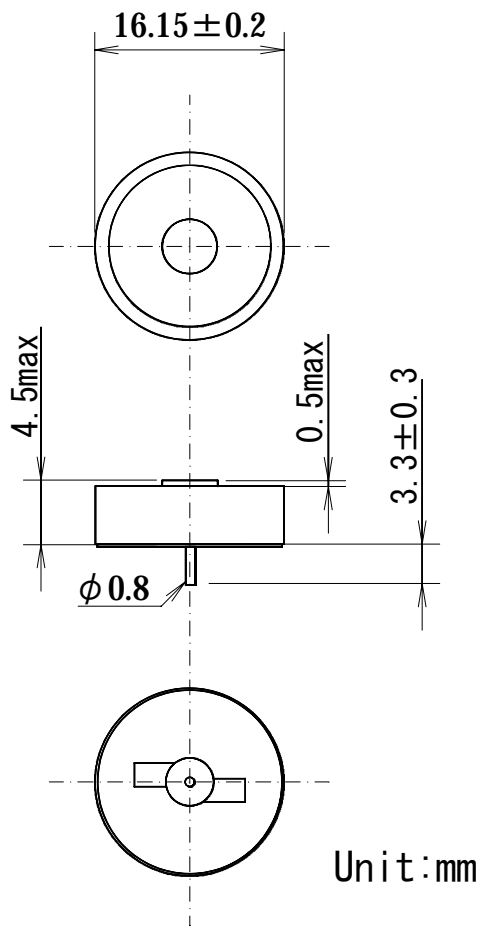
The EUT is provided with a permanently attached antenna and it is found to be compliant with FCC regulation section 15.203.

Shows construction of the antenna connection.



Antenna

1. Dimensions




2. Type name

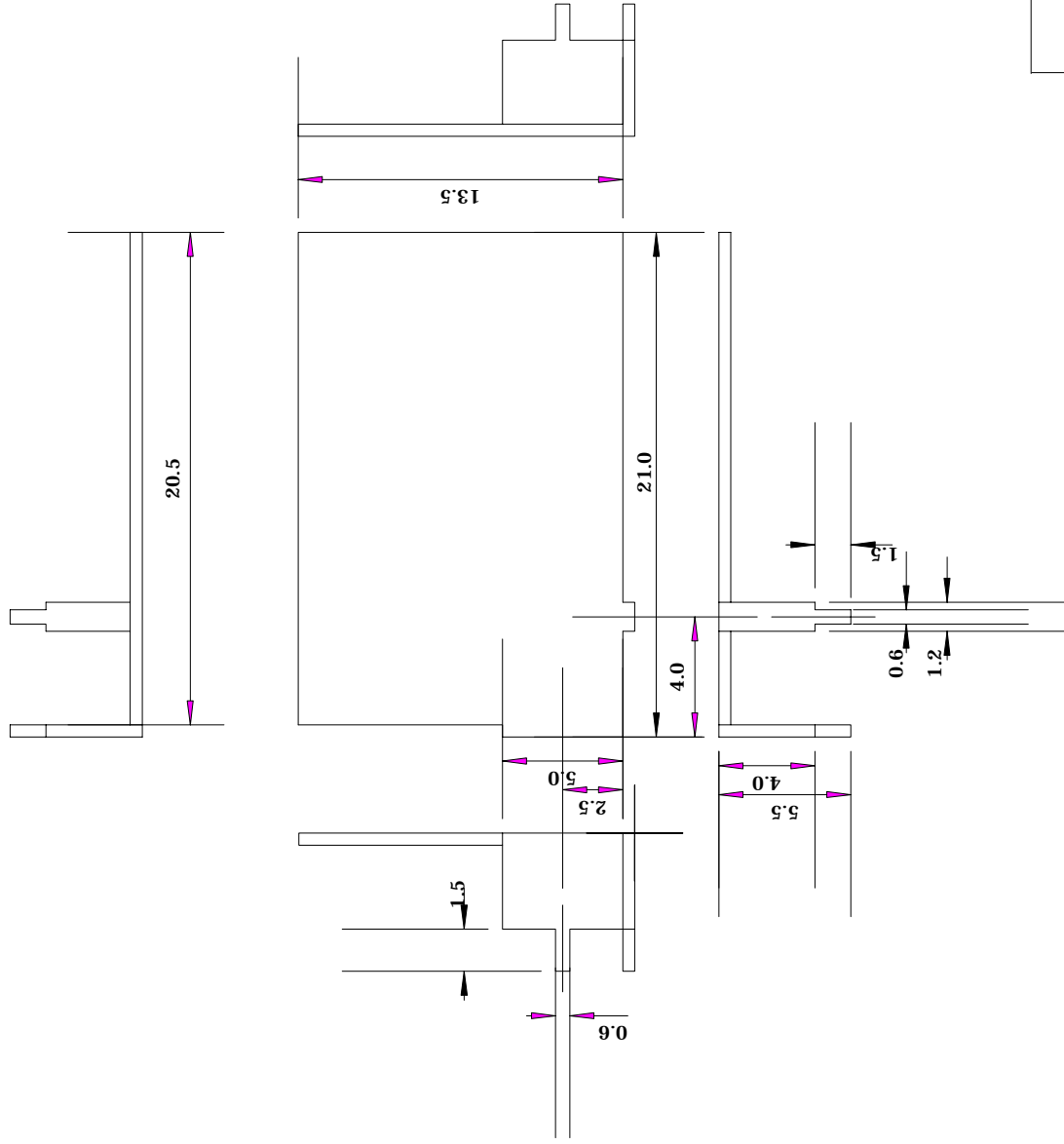
Capacity loadings type monopole antenna

3. Peak gain

Less than 2.15dBi (0dBi typ.)
(Omni-directional in azimuth)

PART No.	05-004-2450-8A
PART NAME	DAD2450CT8T
TITLE	DIELECTRIC ANTENNA
	TOKO inc.

1. Dimensions



- 2. Type name
Planar Inverted F Antenna
- 3. Peak gain
Less than 2.15dBi (0dBi typ.)
(Omni-directional in azimuth)

TOLERANCE	±0.2	MATERIAL	SPT 2.8/2.8 t=0.5mm
UNIT	mm	FINISH	
SCALE	Free	PART No.	30-106-7231-0H
APPROVAL		PART NAME	106-7231-00
CHECK		TITLE	TW985 PLANAR INVERTED F ANTENNA
DRAFT	00_09_16	DRG. No.	3-106-7231
DESIGN	00_09_16		



