

HFA3841 DECOUPLING CAPS

| | | | | | | | |
|-----|-----|-----|----|----|----|-----|-----|
| 14 | 25 | 39 | 53 | 66 | 83 | 98 | 124 |
| C20 | C21 | C10 | C5 | C3 | C2 | C19 | C8 |
| 13 | 24 | 37 | 52 | 67 | 82 | 97 | 115 |

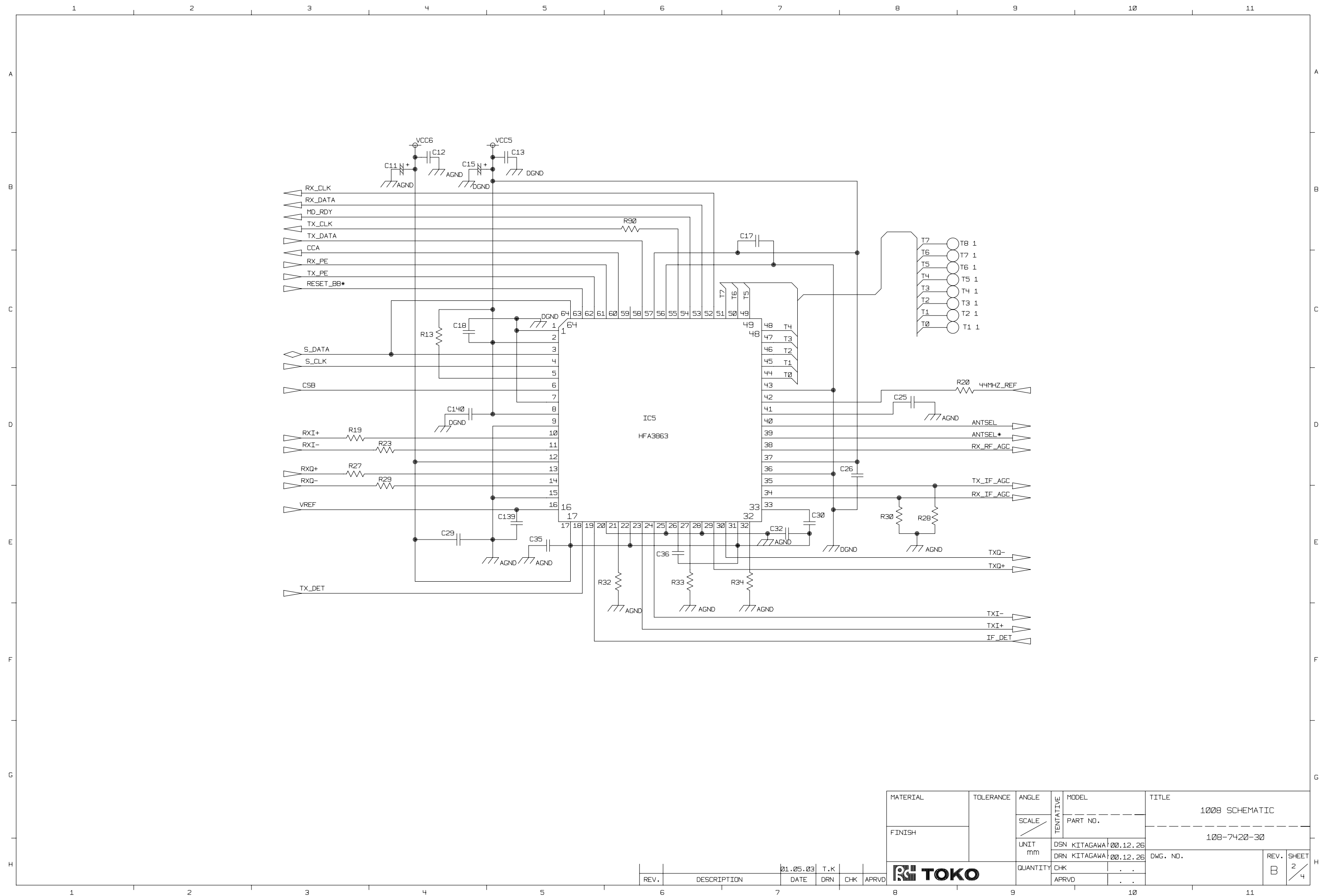
HFA3841 PIN NUMBERS NOTED

| | |
|-----|------|
| 105 | VCC |
| C4 | 42 |
| | DGND |

| | | | | |
|----------|-----------|--------------|----------|----------------|
| MATERIAL | TOLERANCE | ANGLE | MODEL | TITLE |
| | | | | 1008 SCHEMATIC |
| FINISH | SCALE | TENTATIVE | PART NO. | 108-7420-30 |
| UNIT | mm | DSN Kitagawa | 00.12.26 | DWG. NO. |
| QUANTITY | CHK | DRN Kitagawa | 00.12.26 | REV. SHEET |
| | APRVD | | | B 1/4 |

| | | | | | |
|------|-------------|----------|-----|-----|-------|
| B | DESCRIPTION | 01.05.03 | T.K | | |
| REV. | | DATE | DRN | CHK | APRVD |

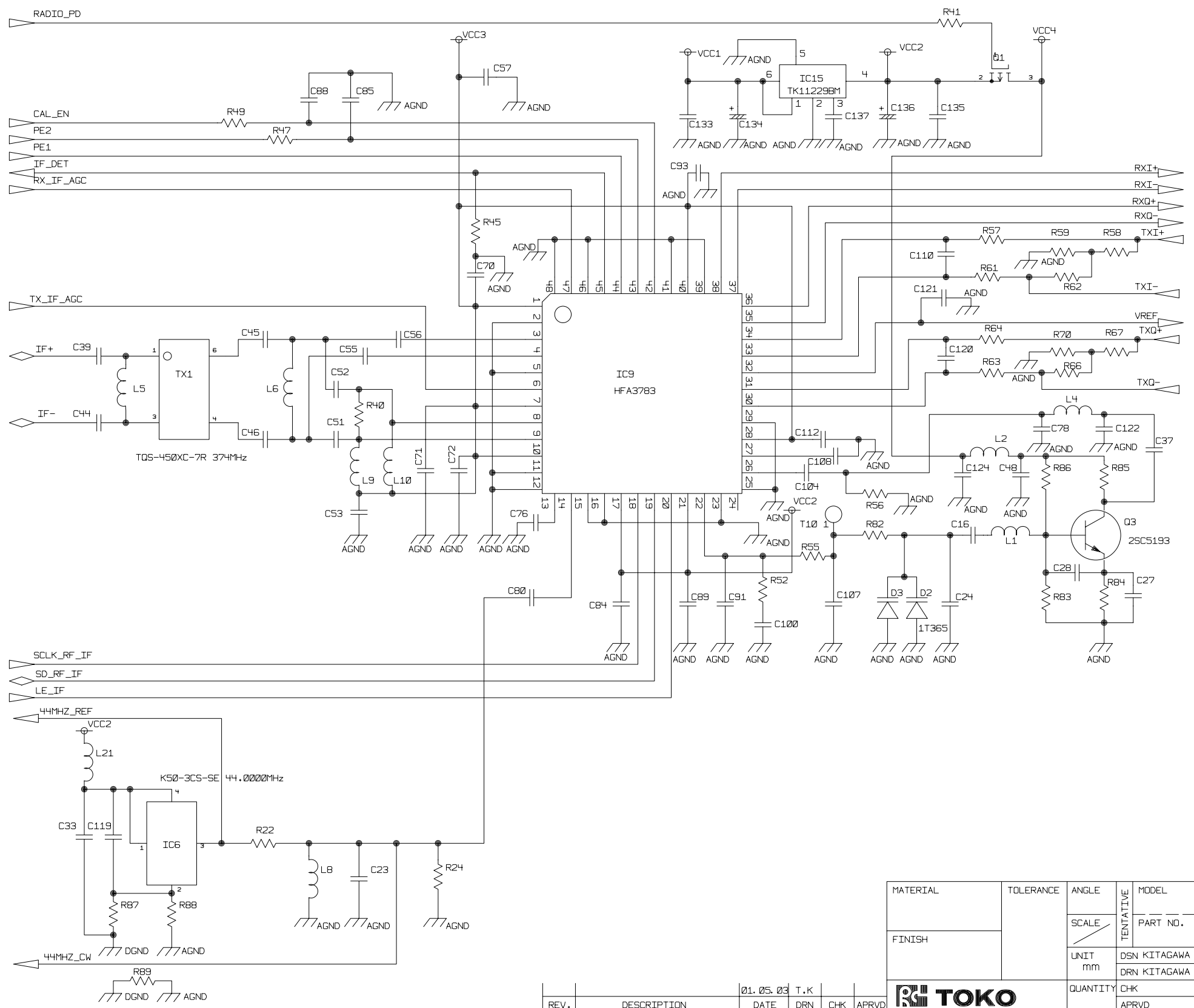




| | | | | | |
|------|-------------|----------|-----|-----|-------|
| REV. | DESCRIPTION | DATE | DRN | CHK | APRVD |
| | | 01.05.03 | T.K | | |



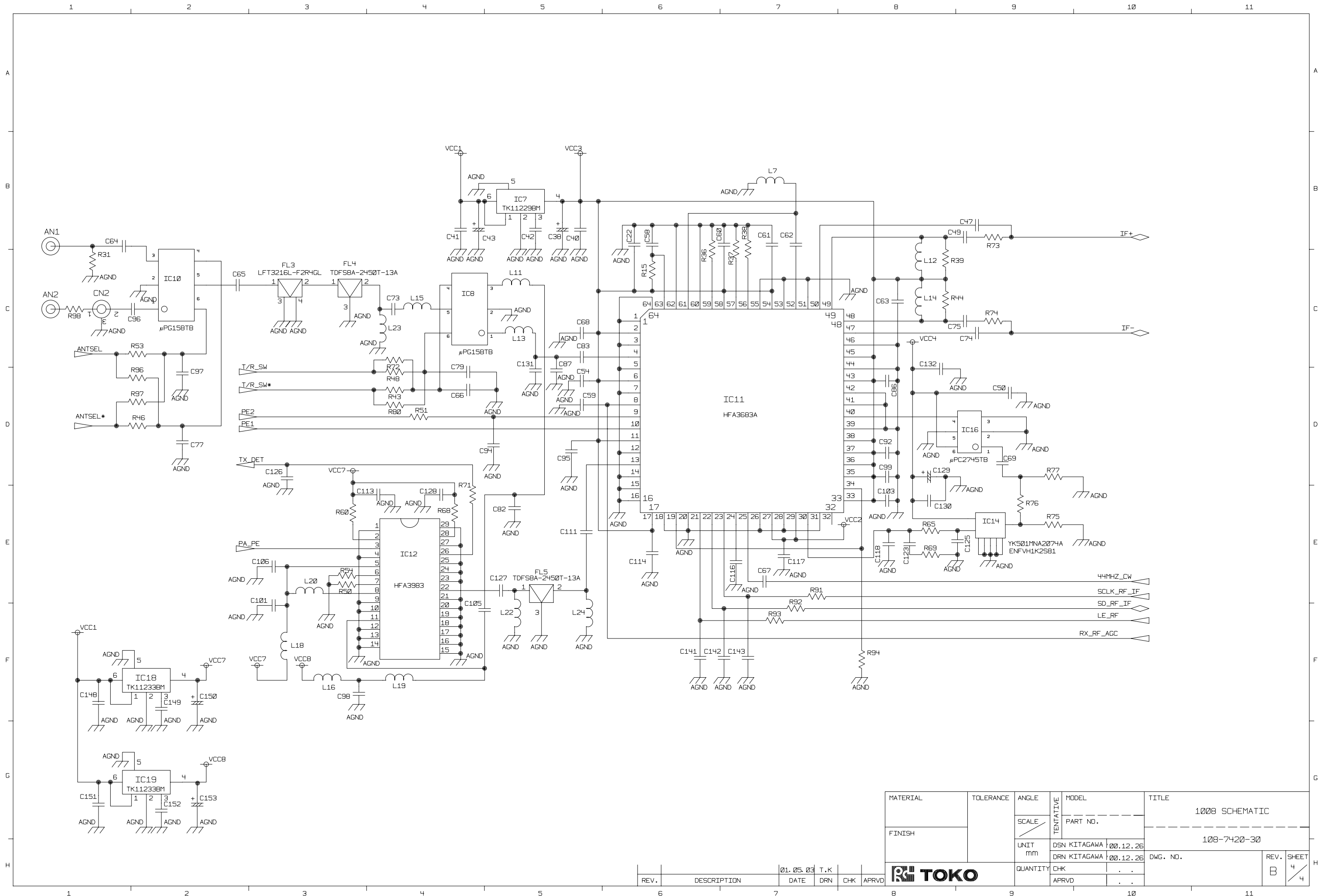
| | | | | | |
|----------|-----------|----------|--------------|----------|----------------|
| MATERIAL | TOLERANCE | ANGLE | TENTATIVE | MODEL | TITLE |
| FINISH | | SCALE | PART NO. | | 1008 SCHEMATIC |
| | | UNIT | DSN KITAGAWA | 00.12.26 | 1008-7420-30 |
| | | mm | DRN KITAGAWA | 00.12.26 | DWG. NO. |
| | | QUANTITY | CHK | | REV. B |
| | | | APRVD | | SHEET 2/4 |



| | | | | | |
|----------|-----------|-------|-----------|--------------|----------------|
| MATERIAL | TOLERANCE | ANGLE | SCALE | MODEL | TITLE |
| | | | TENTATIVE | PART NO. | 1008 SCHEMATIC |
| FINISH | | | UNIT | DSN KITAGAWA | 00.12.26 |
| | | | mm | DRN KITAGAWA | 00.12.26 |
| | | | QUANTITY | CHK | DWG. NO. |
| | | | APRVD | | REV. SHEET |
| | | | | | B 3/4 |

| | | | | | |
|----------|-------------|------|-----|-----|-------|
| REV. | DESCRIPTION | DATE | DRN | CHK | APRVD |
| 01.05.03 | T.K | | | | |





| | | | | |
|----------|-----------|----------|--------------|---|
| MATERIAL | TOLERANCE | ANGLE | MODEL | TITLE |
| | | SCALE | PART NO. | 1008 SCHEMATIC |
| FINISH | | UNIT | DSN KITAGAWA | 01.12.26 |
| | | mm | DRN KITAGAWA | 01.12.26 |
| | | QUANTITY | CHK | . . |
| | | APRVD | | . . |
| | | | | DWG. NO. 108-7420-30 REV. B SHEET 4/4 |

| | | | | | |
|------|-------------|----------|-----|-----|-------|
| REV. | DESCRIPTION | DATE | DRN | CHK | APRVD |
| | | 01.05.03 | T.K | | |