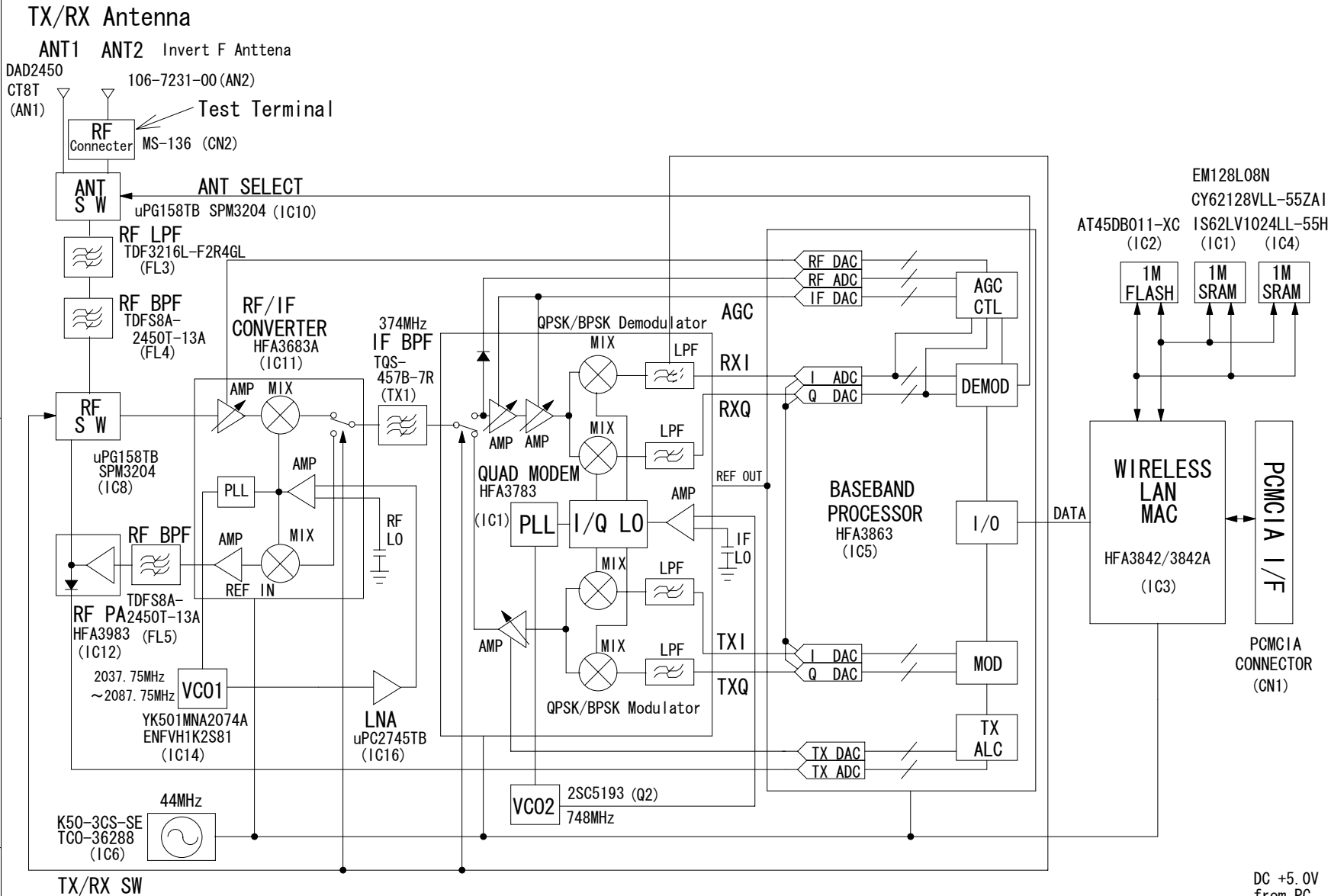
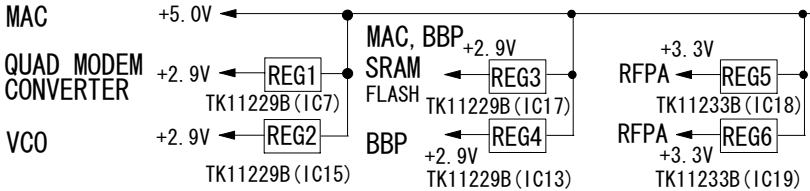


ANNEX C Figure 4.1 Block Diagram of FCC ID: NUSTMW1008

Block Diagram



DC +5.0V from PC



TMW1008

Part Number

REV