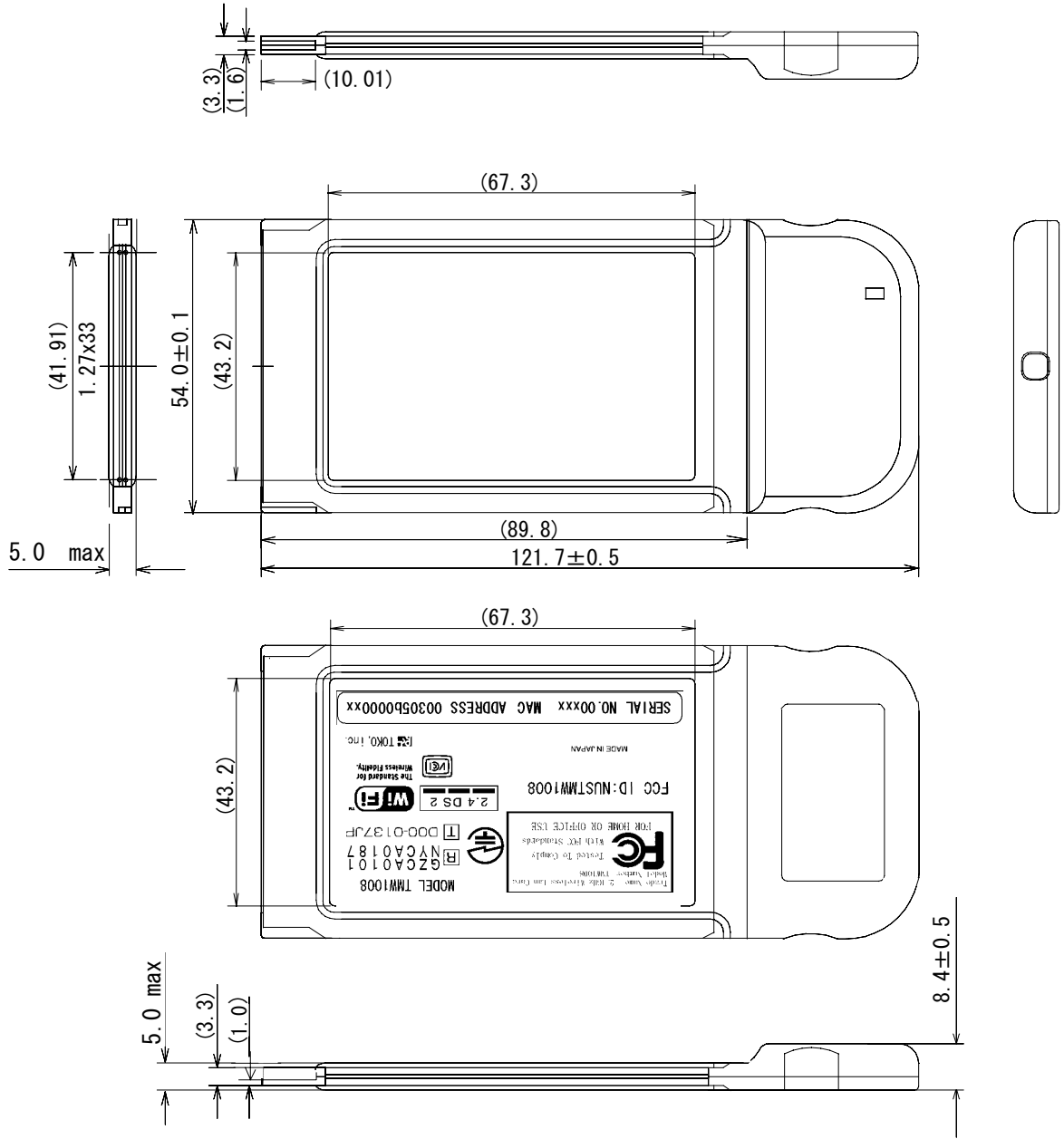


ANNEX B Figure 2.2 Location of Label on EUT

. Labeling and Location




ANNEX A Figure 2.1 FCC ID Label

FCC ID Label FCC ID:NUSTMW1008 Annex A

2001. 07. 08
66.0 x 35.0 mm

Trade Name 2.4GHz Wireless Lan Card
Model Number TMW1008



Tested To Comply
With FCC Standards
FOR HOME OR OFFICE USE

MODEL TMW1008



R GZCA0101
NYCA0187

T D00-0137JP

FCC ID:NUSTMW1008

2.4 DS 2



The Standard for
Wireless Fidelity.



MADE IN JAPAN

TOKO, inc.