

Test Instruments Configuration for Conducted Emissions Test Placement



Front View of the Test Configuration

Rear View of the Test Configuration

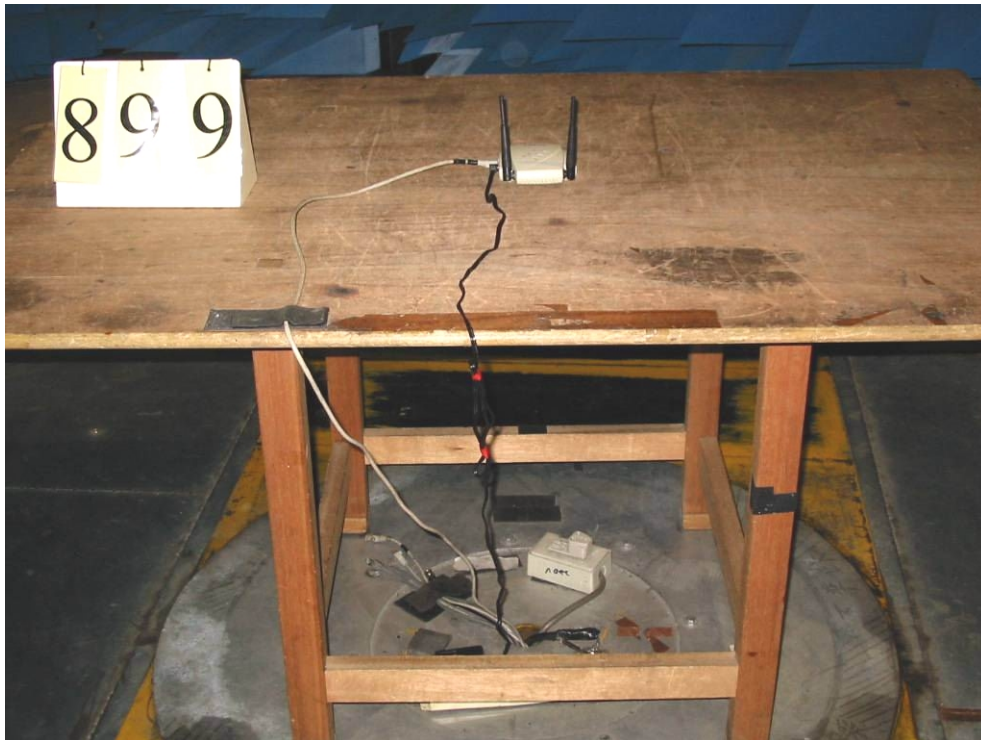


Test Instruments Configuration for Spurious Emission



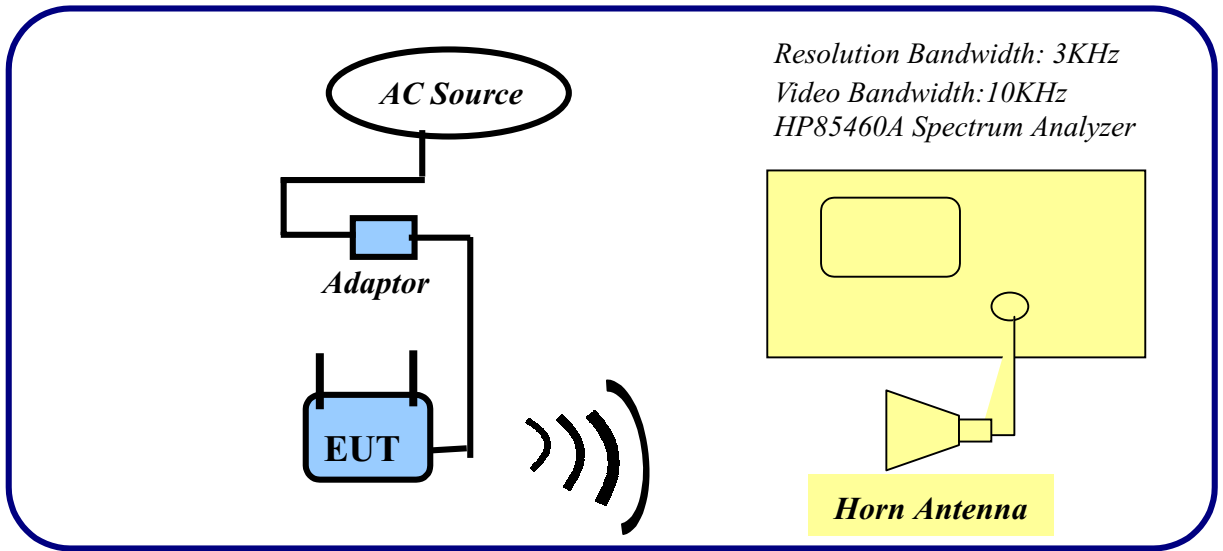
Front View of the Test Configuration

Rear View of the Test Configuration



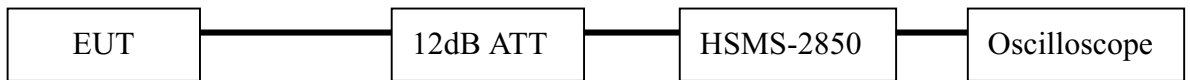
The test configuration for frequency between 1GHz to 18GHz is same as above.

Test Instruments Configuration for Power Spectral Density



Test Condition & Setup for Peak Power

A:



B:

