

52315-001
Rev 01
1000



1000 SERIES DEADBOLT SMART LOCK

Installation and User Guide

ENGLISH

Required tools

Ruler
Phillips and flat head screwdriver

Kwikset
Technical Support
1-800-327-5625
www.kwikset.com

Parts in the box

Latch 	Interior Assembly 	Exterior Assembly
Mounting Plate 	For Latch / Strike Strike 03809 	For Lock 52242
Batteries 	Reinforcement Plate 53082 	52241

1 Prepare the door and check dimensions

If drilling a new door, use the supplied template and the complete door drilling instructions available at www.kwikset.com/doorprep.

A Measure to confirm that the hole in the door is either 2-1/8 in (54 mm) or 1-1/2 in (38 mm).

B Measure to confirm that the backset is either 2-3/8 or 2-3/4 in (60 or 70 mm).

C Measure to confirm that the hole in the door edge is 1 in (25 mm).

D Measure to confirm that the door is between 1-3/8 and 1-3/4 in (35 mm and 44 mm) thick.

Note: Additional door preparation may be required for doors with 1-1/2 in (38 mm) holes. Consult the deadbolt drilling instructions at www.kwikset.com/doorprep.

Note: Please contact customer service if door thickness exceeds 1-3/4 in for a thick door kit.

2 Install the latch and strike

For Latch / Strike Bag

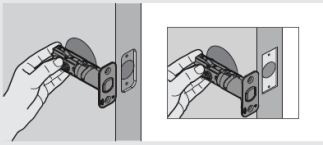
(2x)
03809

(2x)
actual size

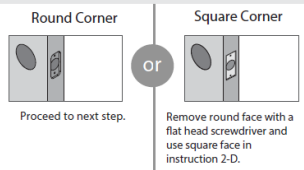
(2x)
53082

(2x)
actual size

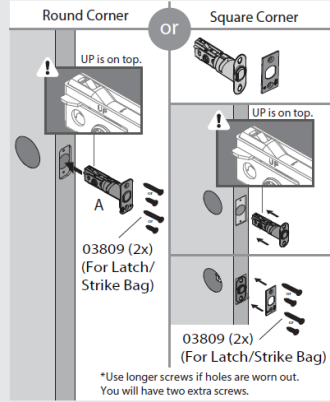
A Hold the latch in front of the door hole, with the latch face flush against the door edge.



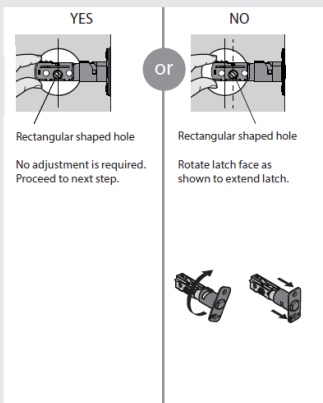
C Is the door edge chiselled with round or square corners?



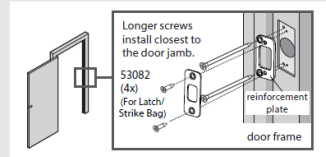
D Which latch face are you installing?



B Is the rectangular shaped hole centered in the door hole?



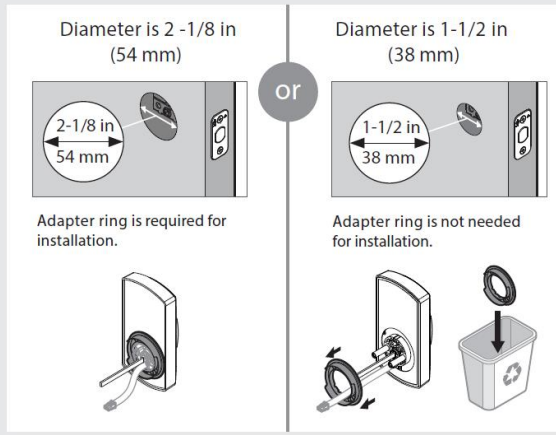
E Install strike on the door frame.
 ⚠ Make sure the hole in the door frame is drilled a minimum of 1 in (25 mm) deep.



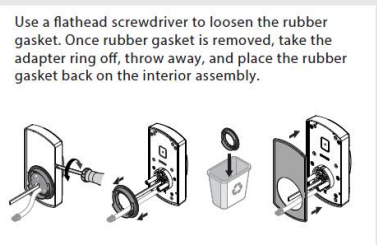
3 Install the exterior assembly



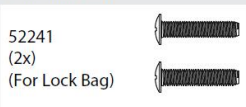
A What is the diameter of the hole in the door?



B To remove adapter for 1-1/2 in (38 mm) diameter



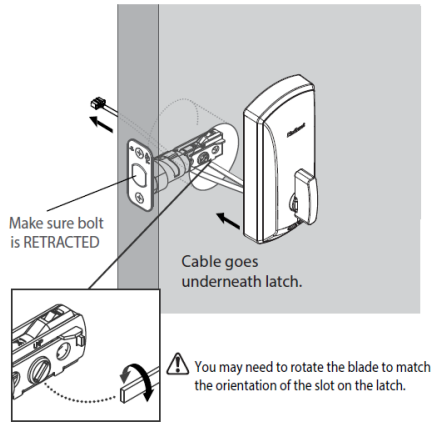
C Locate screws for step 3D and keep them within reach.



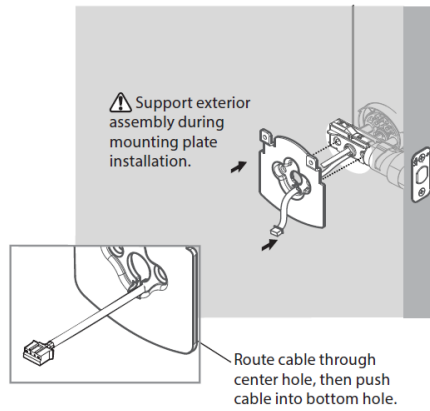
D Install exterior assembly and interior chassis.

D Install exterior assembly and interior chassis.

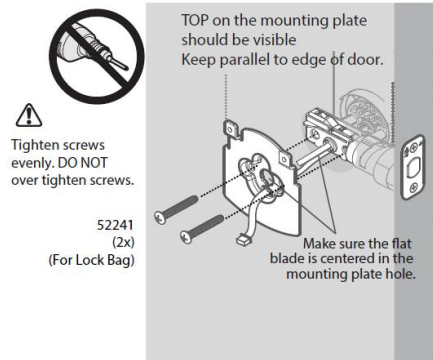
a Install exterior assembly. Route cable underneath the latch bolt.



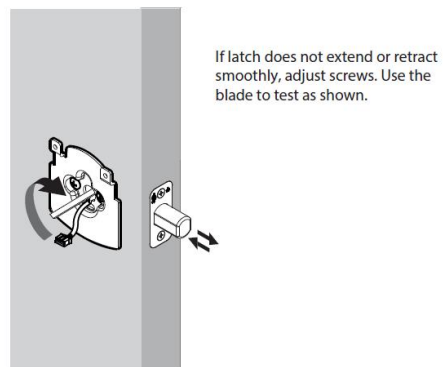
b Install mounting plate.



c



d



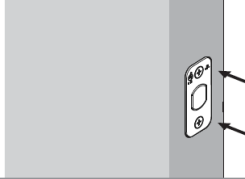
4 Install the interior assembly

For Lock Bag



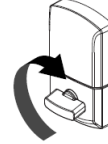
A Remove interior cover from interior assembly.

a Check to make sure the latch bolt is in the retracted/unlocked position to install the interior assembly.



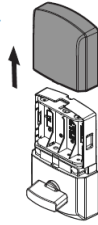
b Make sure turnpiece shaft is horizontal as shown

⚠ If the turnpiece is not in a horizontal position when the bolt is retracted, locking and unlocking could be reversed, resulting in an unsecured residence.



If the turnpiece is in the incorrect position, rotate the turnpiece horizontally.

c Remove the interior cover from the interior assembly.



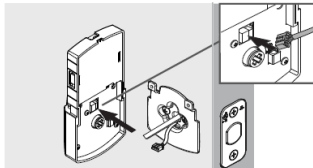
d



Do not install batteries until step 5.

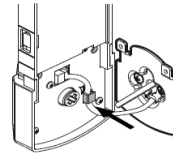
B Install interior assembly onto mounting plate.

a Connect cable wire as shown. Ensure tight cable connection.

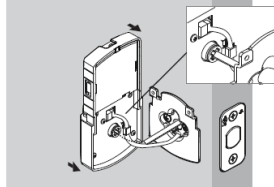


⚠ Ensure the red coloring on male connector connects to the red coloring on the female connector.

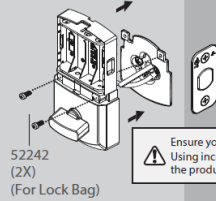
b Route excess cable around the side notch and bottom of the interior assembly.



c Insert the flat blade into the turnpiece shaft.



d



52242 (2X)
(For Lock Bag)

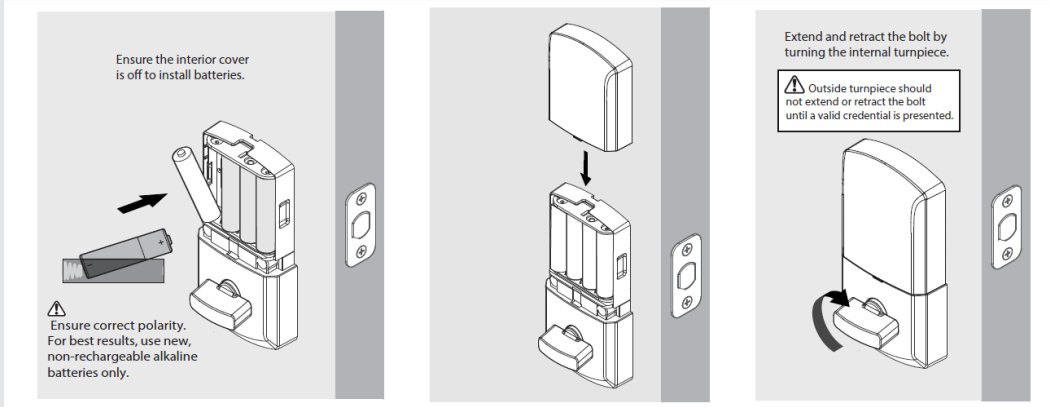
⚠ Ensure you are using the correct screws. Using incorrect screws will damage the product.

5 Install the batteries in the interior assembly

A Install 4 AA batteries in interior assembly

B Install interior cover for the interior assembly.

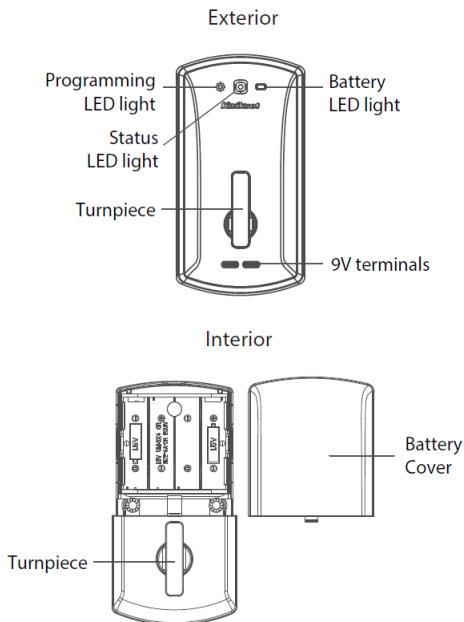
C Test the lock.



3 / 4

Reference Guide

Unite at a Glance



System Alerts

Operation	Lights	Beep	Troubleshoot
Access Granted	Flashes GREEN 5x	1 Beep	
Access Denied	Flashes RED 3x	3 Beeps	
Low battery	Flashes RED 5x	5 Beeps	Install fresh new batteries
Power on - Full Battery Life	Solid GREEN 3s	1 Long Beep	
Power on - Moderate Battery Life	Status Solid GREEN and battery LED light AMBER 3s	1 Long Beep	
Power on - Low Battery Life	Status Solid GREEN and battery LED light RED 3s	1 Long Beep then 5 Short Beeps	
Lock identification	Solid BLUE 3s	1 Long Beep	

Programming your Lock

Operation	Lights	Beep	Action
Enrollment	Flashes BLUE		BLE pairing start
	Solid GREEN 3s	1 Long Beep	Pairing complete
	Flashes RED 3x	3 Beeps	BLE pairing/ fail or timeout
Firmware Upgrade	Flashes BLUE		Update start
	Solid GREEN 3s	1 Long Beep	Update complete
	Flashes RED 3x	3 Beeps	Update pairing/ fail or timeout

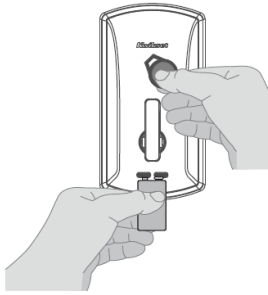
Manual Factory reset

1. Insert battery to power up the lock.
2. Status/Programming LED light displays GREEN 3s. Rotate the interior turnpiece back and forth 3x within 5s.
3. Wait for programming LED light to alternate BLUE and RED continuously.
4. Within 10s, rotate the interior turnpiece back and forth 3x.
5. Program LED light will display solid GREEN for a successful manual factory reset.
6. Fail/ Time out all LED lights will remain off.

Low Battery

If the 4 AA batteries are too low to operate the lock, use a 9-Volt alkaline battery to temporarily power the lock. Make sure both terminals on the 9-Volt battery touch the terminals below the turnpiece. Hold the 9-Volt in place while holding the credential on the exterior of the lock. Hold the 9-Volt battery as well as the credential until the lock illuminates and unlocks.

⚠ WARNING: Change batteries immediately otherwise the lock will remain unlocked.



Important Safeguards

1. Read all instructions in their entirety.
2. Familiarize yourself with all warning and caution statements.
3. Remind all family members of safety precautions.
4. Always have access to your lock's credentials.
5. Familiarize yourself with all status LED lights notifications.
6. Replace low batteries immediately.
7. Dispose of used batteries according to local laws and regulations.

⚠ WARNING: This Manufacturer advises that no lock can provide complete security by itself. This lock may be defeated by forcible or technical means, or evaded by entry elsewhere on the property. No lock can substitute for caution, awareness of your environment, and common sense. Builder's hardware is available in multiple performance grades to suit the application. In order to enhance security and reduce risk, you should consult a qualified locksmith or other security professional.

Regulatory Compliance

This product complies with standards established by the following regulatory bodies:

- Federal Communications Commission (FCC)
- Industry Canada

FCC

This device's wireless operation is safe and complies with RF Exposure requirements. This device complies with Part 15 of the FCC Rules. Operation is subject to the following two conditions: (1) this device may not cause harmful interference, and (2) this device must accept any interference received, including interference that may cause undesired operation. This equipment has been tested and found to comply with the limits for a Class B digital device, pursuant to Part 15 of the FCC Rules. These limits are designed to provide reasonable protection against harmful interference in a residential installation.

This equipment generates, uses, and can radiate radio frequency energy and, if not installed and used in accordance with the instructions, may cause harmful interference to radio communications. However, there is no guarantee that interference will not occur in a particular installation. If this equipment does cause harmful interference to radio or television reception, which can be determined by turning the equipment off and on, the user is encouraged to try to correct the interference by one or more of the following measures:

- Reorient or relocate the receiving antenna.
- Increase the separation between the equipment and receiver.
- Connect the equipment into an outlet on a circuit different from that to which the receiver is connected.

FCC ID: NUL-UNT1
IC: 3022A-UNT1

- Consult the dealer or an experienced radio/TV technician for help.

IMPORTANT! Changes or modifications not expressly approved by the manufacturer could void the user's authority to operate the equipment.

Industry Canada

This device complies with Industry Canada licence-exempt RSS standard(s). Operation is subject to the following two conditions: (1) this device may not cause interference, and (2) this device must accept any interference, including interference that may cause undesired operation of the device.