



1100 SERIES INTERCONNECT SMART LOCK

Installation and User Guide

Required tools

Ruler
Phillips and flat head screwdriver

Kwikset
Technical Support
1-800-327-5625
www.kwikset.com

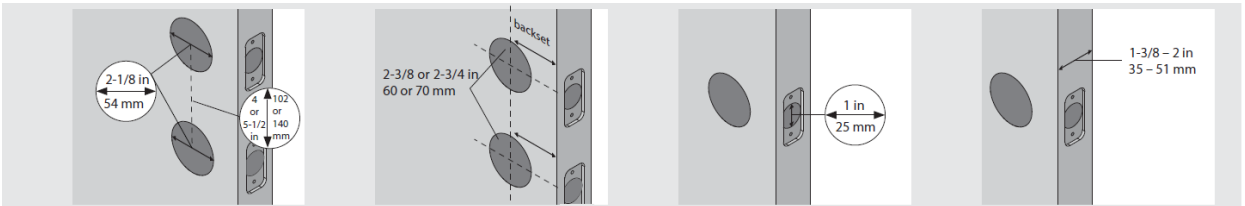
Parts in the box

Latch Bolt 	Interior Assembly 	Exterior Assembly Traditional Contemporary 	
Plain Latch 	Shield 	For Latch / Strike Deadbolt Strike 52469 03809 53082 	For Lock Hex Wrench 52301
Reinforcement Plate 	Plain Latch Strike 	52300 	Batteries

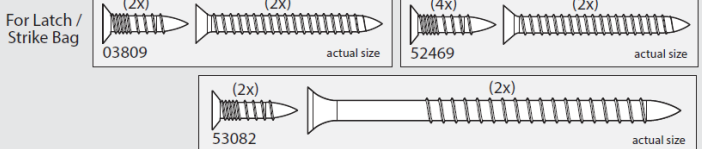
1 Prepare the door and check dimensions

If drilling a new door, use the supplied template and the complete door drilling instructions available at www.kwikset.com/doorprep.

- A** Measure to confirm the holes in the door are 2-1/8 in (54 mm) and they measure center to center 4 in or 5-1/2 in (102 or 140 mm).
- B** Measure to confirm that the backsets are either 2-3/8 or 2-3/4 in (60 or 70 mm).
- C** Measure to confirm that the holes in the door edge are 1 in (25 mm).
- D** Measure to confirm that the door is between 1-3/8 and 2 in (35 mm and 51 mm) thick.

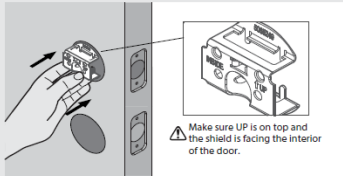


2 Install the latches and strikes

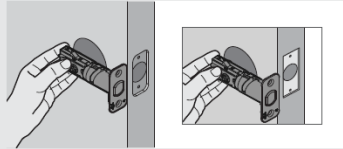


- A** Insert shield in the top interior door hole.
- D** Is the door edge chiseled with round or square corners?
- E** Which latch and face are you installing?

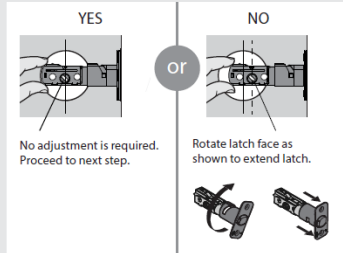
A Insert shield in the top interior door hole.



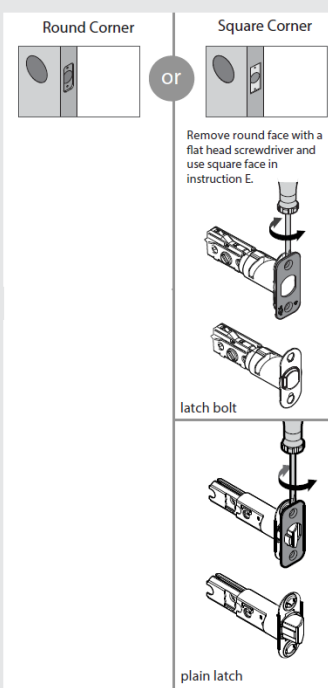
B Hold the latch in front of the door hole, with the latch face flush against the door edge.



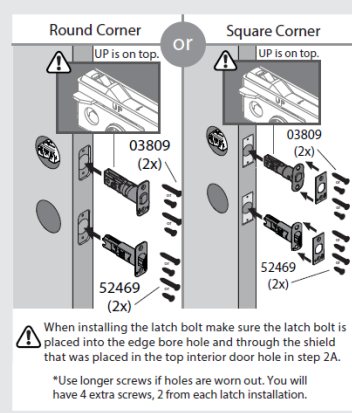
C Is the rectangular shaped hole centered in the door hole?



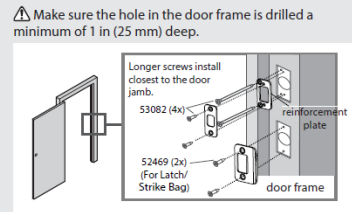
D Is the door edge chiseled with round or square corners?



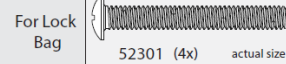
E Which latch and face are you installing?



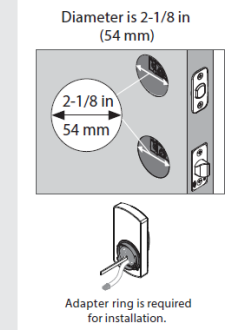
F Install strike on the door frame.



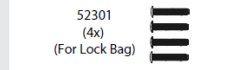
3 Install the exterior assembly



A Make sure adapter ring is on exterior assembly.

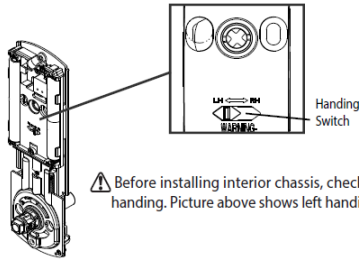


B Locate screws for step 3C(g) and keep them within reach.



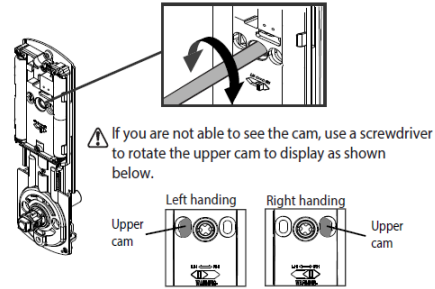
C Install exterior assembly and interior chassis.

a Use the handing switch to change handing from left to right as needed.



⚠ Before installing interior chassis, check for accurate handing. Picture above shows left handing.

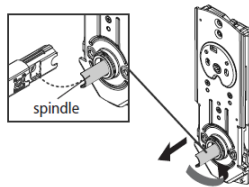
b Make sure upper cam is in the same handing position as the handing switch. If not, use a screwdriver as shown to rotate upper cam.



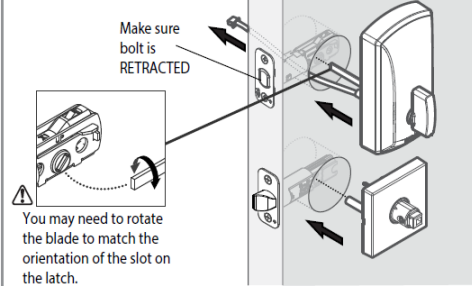
⚠ If you are not able to see the cam, use a screwdriver to rotate the upper cam to display as shown below.

c Flip interior chassis over. To change the handing of the spindle, pull out and then rotate.

⚠ Ensure the curve on the spindle matches the curve on the plain latch as shown below.



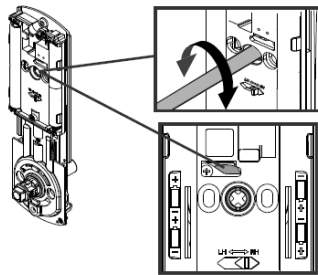
d Install exterior assembly. Route cable underneath the latch bolt and through the shield.



Make sure bolt is RETRACTED

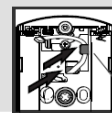
⚠ You may need to rotate the blade to match the orientation of the slot on the latch.

e Before installing interior chassis, you will need to use a screwdriver to rotate the upper cam vertically as shown below to make mounting screw holes visible.



f Install interior chassis

Route cable through the hole above the upper cam.

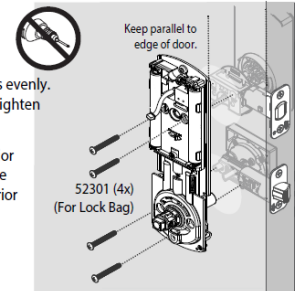


Any excess wire can be pushed under the tab above the hole.

g

⚠ Tighten screws evenly. DO NOT over tighten screws.

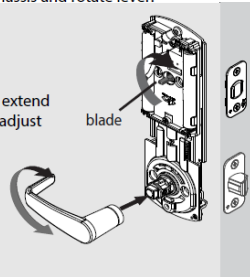
Support exterior assembly while installing interior chassis.



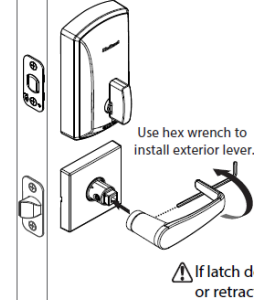
Make sure the flat blade is centered in the upper cam, and the spindle is engaged with the latch.

h Check if your handing is correct and that the bolt extends and retracts smoothly. Use the blade to extend the bolt, then place the interior lever on chassis and rotate lever.

⚠ If latch bolt does not extend or retract smoothly, adjust mounting screws.



i Install the exterior handle.



Use hex wrench to install exterior lever.

⚠ If latch does not extend or retract smoothly, adjust mounting screws.

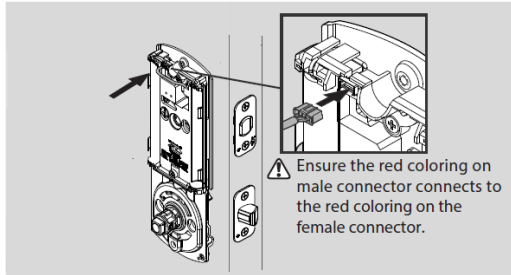
4 Install the interior cover

For Lock Bag

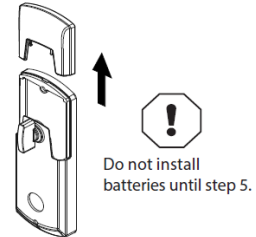


A Install interior cover onto interior chassis.

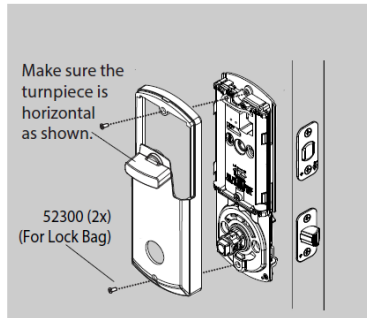
- a Connect cable wire as shown. Ensure a tight cable connection.



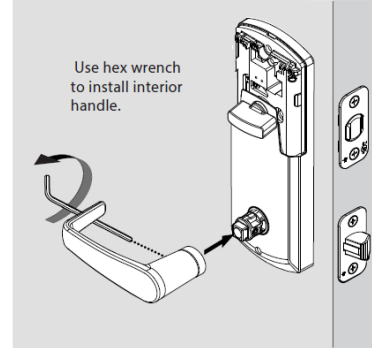
- b Remove the battery cover from the interior cover.



- c Install the interior cover.

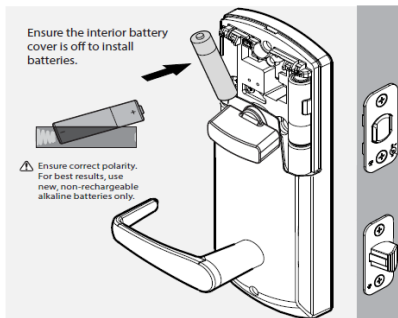


- d Install the interior handle.

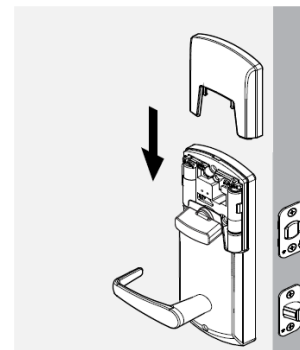


5 Install the batteries

A Install 4 AA batteries in interior assembly

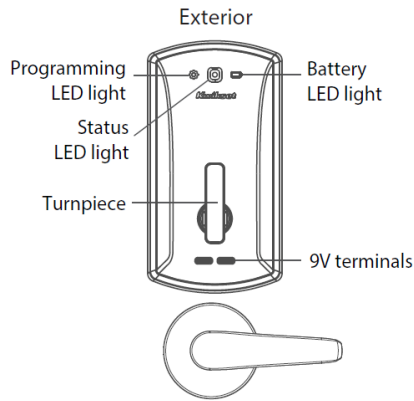


B Install battery cover to the interior cover.

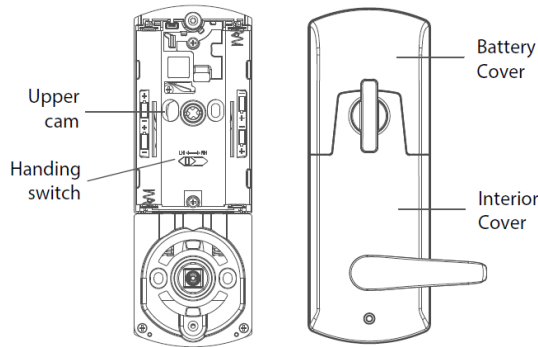


Reference Guide

Unite at a Glance



Interior



System Alerts

Operation	Lights	Beep	Troubleshoot
Access Granted	Flashes GREEN 5x	🔊	
Access Denied	Flashes RED 3x	🔊	
Low battery	Flashes RED 5x	🔊 🔋	Install fresh new batteries
Power on - Full Battery Life	Solid GREEN 3s	🔊	1 Long Beep
Power on - Moderate Battery Life	Status Solid GREEN and battery LED light AMBER 3s	🔊 🔋	1 Long Beep
Power on - Low Battery Life	Status Solid GREEN and battery LED light RED 3s	🔊 🔋	1 Long Beep then 5 Short Beeps
Lock identification	Solid BLUE 3s	🔊	1 Long Beep

Programming your Lock

Operation	Lights	Beep	Action
Enrollment	Flashes BLUE	🔊	BLE pairing start
	Solid GREEN 3s	🔊	1 Long Beep Pairing complete
	Flashes RED 3x	🔊	3 Beeps BLE pairing/fail or timeout
Firmware Upgrade	Flashes BLUE	🔊	Update start
	Solid GREEN 3s	🔊	1 Long Beep Update complete
	Flashes RED 3x	🔊	3 Beeps Update pairing/fail or timeout

Manual Factory reset

1. Insert battery to power up the lock.
2. Status/Programming LED light displays GREEN 3s. Rotate the interior turnpiece back and forth 3x within 5s.
3. Wait for programming LED light to alternate BLUE and RED continuously.
4. Within 10s, rotate the interior turnpiece back and forth 3x.
5. Program LED light will display solid GREEN for a successful manual factory reset.
6. Fail/ Time out all LED lights will remain off.

Important Safeguards

1. Read all instructions in their entirety.
2. Familiarize yourself with all warning and caution statements.
3. Remind all family members of safety precautions.
4. Always have access to your lock's credentials.
5. Familiarize yourself with all status LED lights notifications.
6. Replace low batteries immediately.
7. Dispose of used batteries according to local laws and regulations.

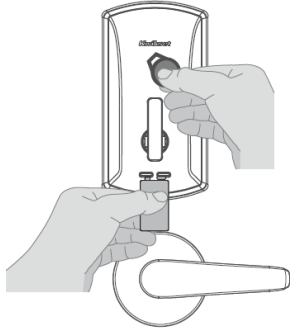
⚠️ WARNING: This Manufacturer advises that no lock can provide complete security by itself. This lock may be defeated by forcible or technical means, or evaded by entry elsewhere on the property. No lock can substitute for caution, awareness of your environment, and common sense. Builder's hardware is available in multiple performance grades to suit the application. In order to enhance security and reduce risk, you should consult a qualified locksmith or other security professional.

Low Battery

If the 4 AA batteries are too low to operate the lock, use a 9-Volt alkaline battery to temporarily power the lock.

Make sure both terminals on the 9-Volt battery touch the terminals below the turnpiece. Hold the 9-Volt in place while holding the credential on the exterior of the lock. Hold the 9-Volt battery as well as the credential until the lock illuminates and unlocks.

⚠ WARNING: Change batteries immediately otherwise the lock will remain unlocked.



Regulatory Compliance

This product complies with standards established by the following regulatory bodies:

- Federal Communications Commission (FCC)
- Industry Canada

FCC

This device's wireless operation is safe and complies with RF Exposure requirements. This device complies with Part 15 of the FCC Rules. Operation is subject to the following two conditions: (1) this device may not cause harmful interference, and (2) this device must accept any interference received, including interference that may cause undesired operation. This equipment has been tested and found to comply with the limits for a Class B digital device, pursuant to Part 15 of the FCC Rules. These limits are designed to provide reasonable protection against harmful interference in a residential installation.

This equipment generates, uses, and can radiate radio frequency energy and, if not installed and used in accordance with the instructions, may cause harmful interference to radio communications. However, there is no guarantee that interference will not occur in a particular installation. If this equipment does cause harmful interference to radio or television reception, which can be determined by turning the equipment off and on, the user is encouraged to try to correct the interference by one or more of the following measures:

- Reorient or relocate the receiving antenna.
- Increase the separation between the equipment and receiver.
- Connect the equipment into an outlet on a circuit different from that to which the receiver is connected.

FCC ID: NUL-UNT1
IC: 3022A-UNT1

- Consult the dealer or an experienced radio/TV technician for help.

IMPORTANT! Changes or modifications not expressly approved by the manufacturer could void the user's authority to operate the equipment.

Industry Canada

This device complies with Industry Canada licence-exempt RSS standard(s). Operation is subject to the following two conditions: (1) this device may not cause interference, and (2) this device must accept any interference, including interference that may cause undesired operation of the device.