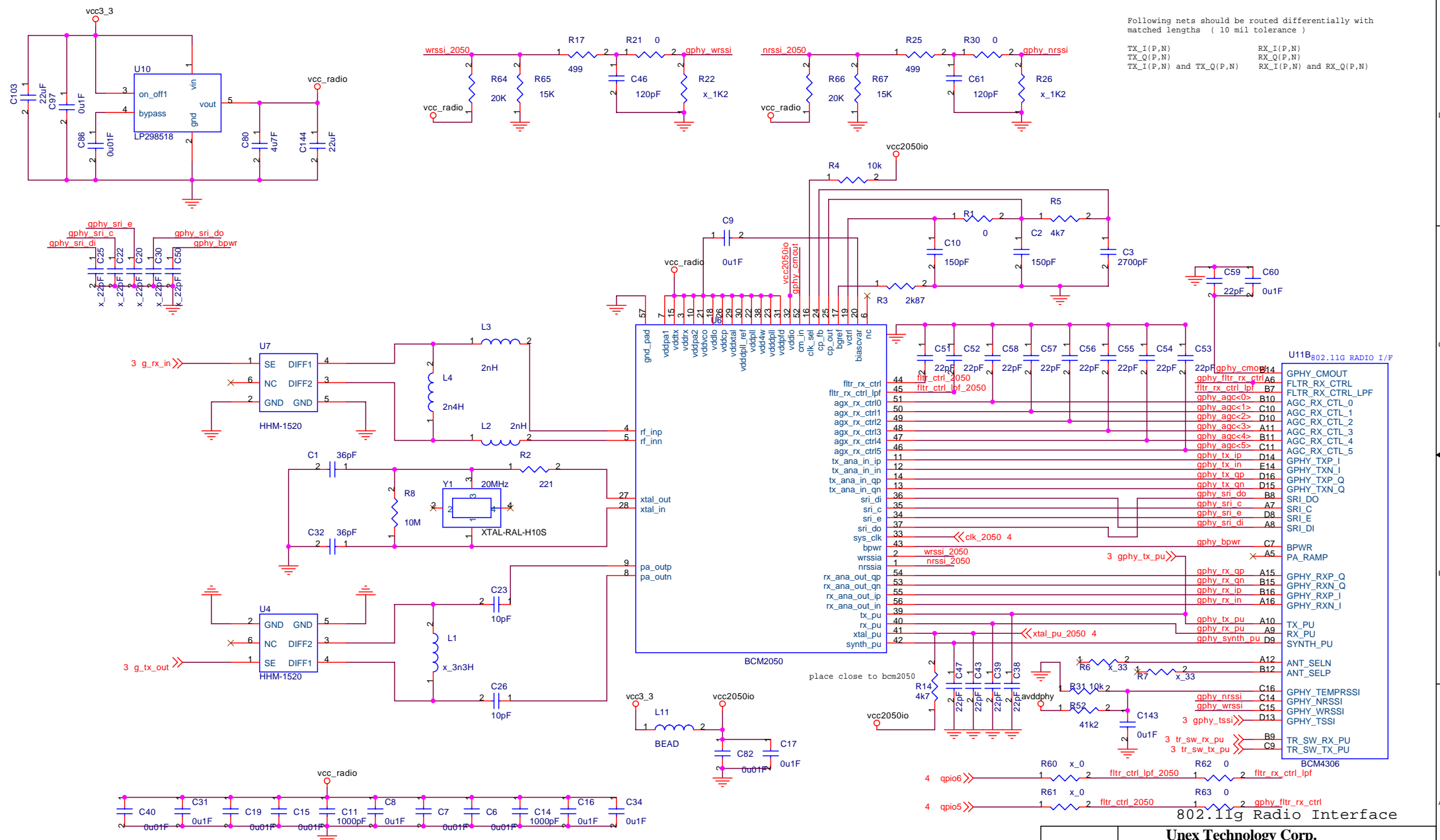


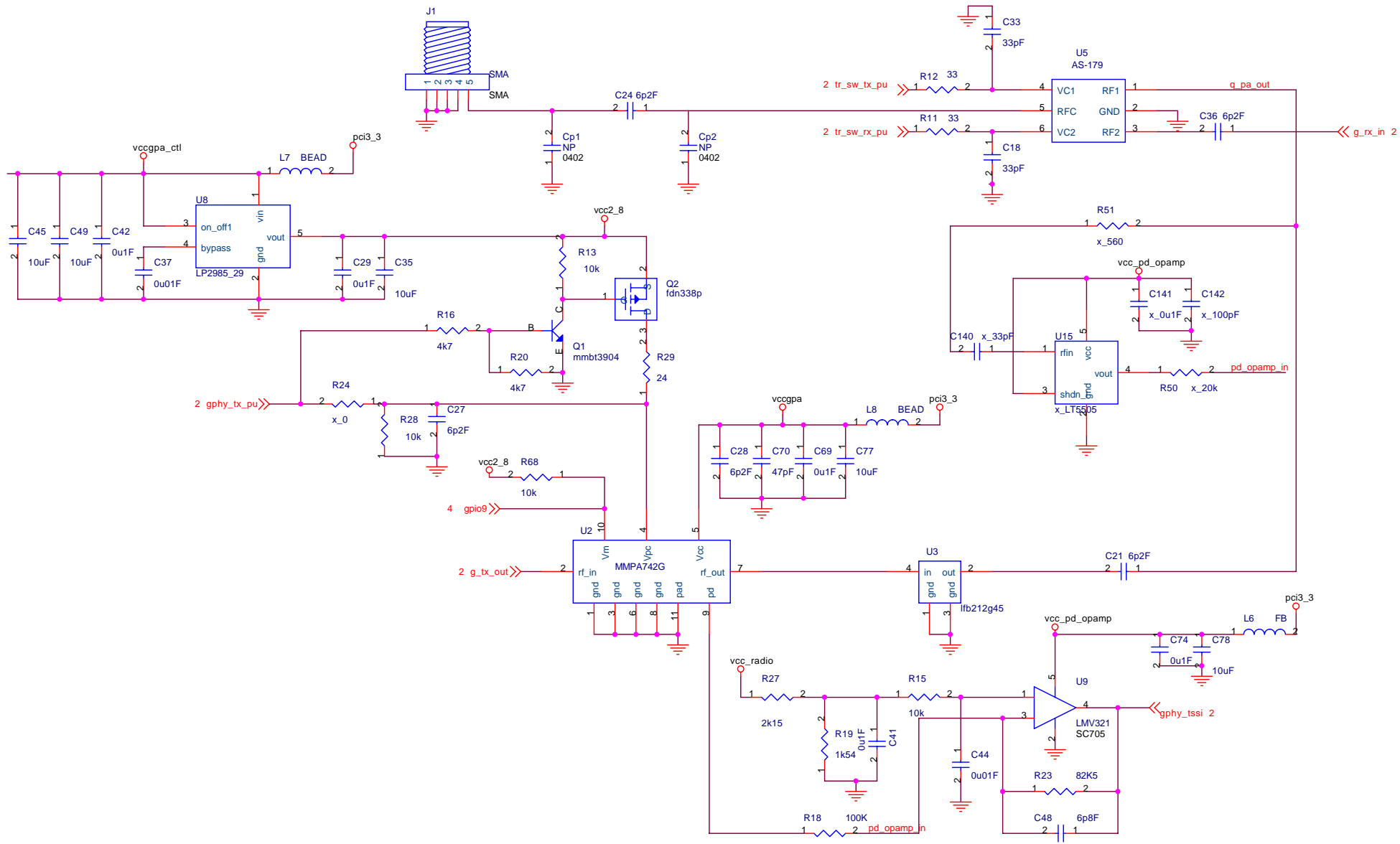
Unex Technology Corp.		
PCI Interface		
Size B	Document Number CR054g	Rev 0A
Date:	Tuesday, April 15, 2003	Sheet 1 of 5



Following nets should be routed differentially with matched lengths (10 mil tolerance)
 TX_I(P,N) RX_I(P,N)
 TX_Q(P,N) RX_Q(P,N)
 TX_I(P,N) and TX_Q(P,N) RX_I(P,N) and RX_Q(P,N)

Unex Technology Corp.		
802.11G Radio Interface		
Size B	Document Number	Rev 0A
CR054g		
Date:	Tuesday, April 15, 2003	Sheet 2 of 5

802.11g Radio Interface



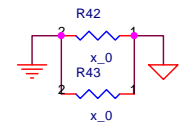
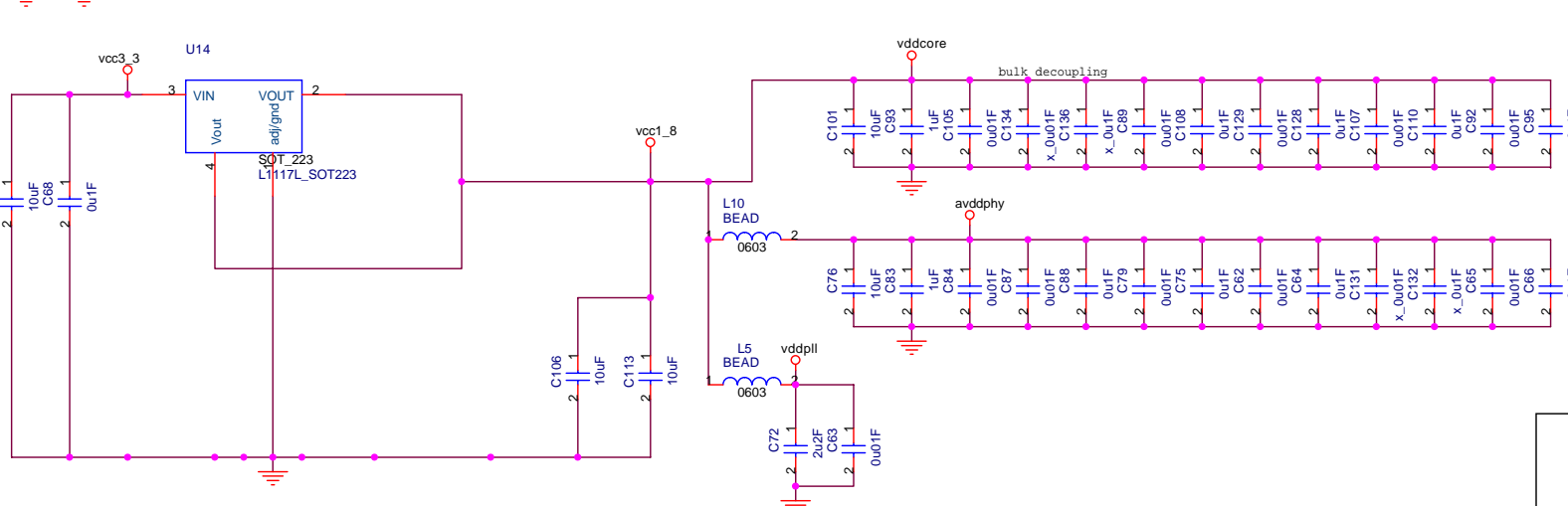
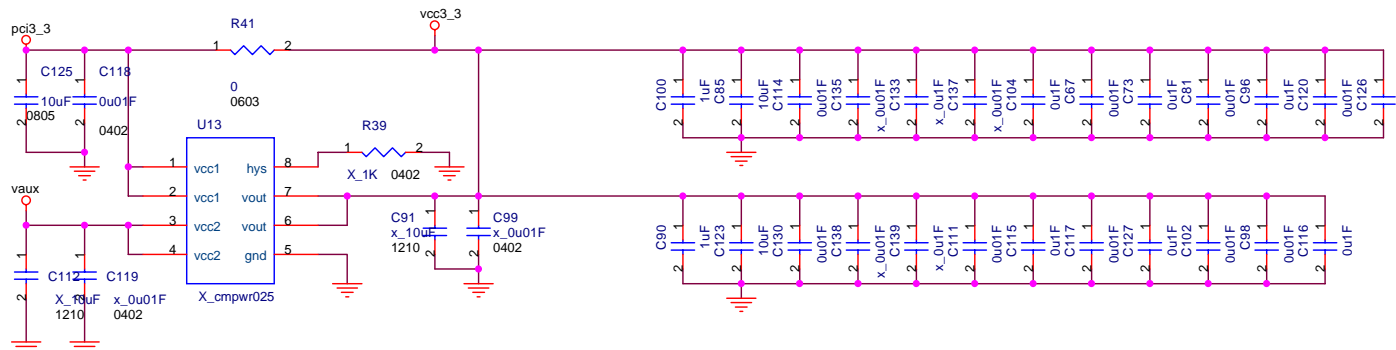
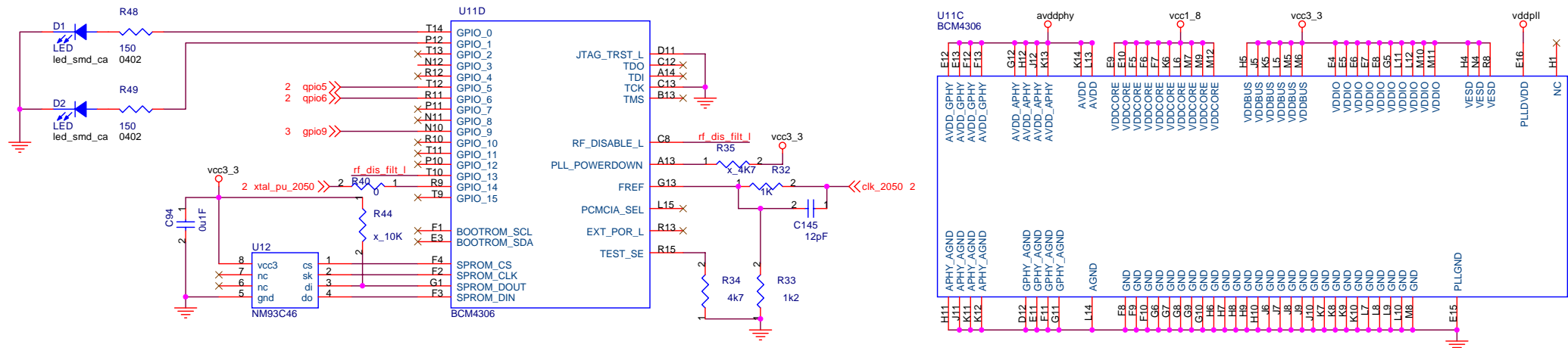
802.11G RF Front End

Unex Technology Corp.

802.11G RF Front End

Size B	Document Number	Rev 0A
	CR054g	

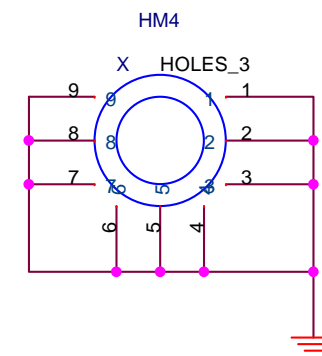
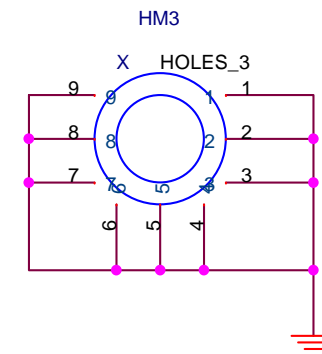
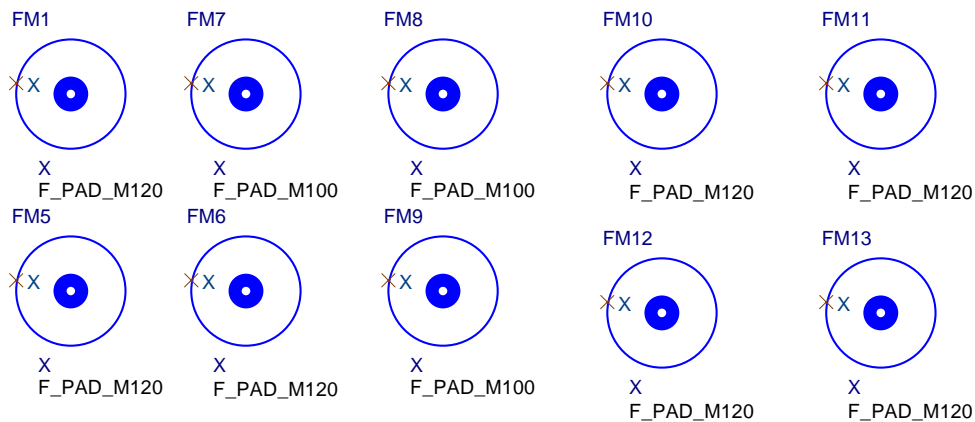
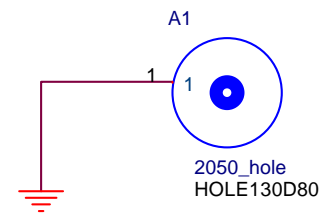
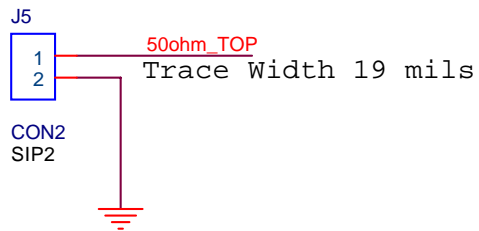
Date: Tuesday, April 15, 2003 Sheet 3 of 5



Regulator Stuffing Options
 LM2612
 LM2619
 U14: NS LM2612ABL/S5000170
 NO_LOAD: R53, R54 NO_LOAD: C109,R57, R58
 C146: 330pF R59, R64, R65: 0 ohm
 R57: 39.2K
 R58: 22.1K
 R59: 4.42K

BCM4306 POWER, CLOCKS & MISC.

Unix Technology Corp.		
BCM4306 POWER, CLOCKS & MISC.		
Size B	Document Number CR054g	Rev 0A
Date: Tuesday, April 15, 2003	Sheet 4	of 5



Unex Technology Corp.

Manufacture

Size A	Document Number CR054g	Rev 0A
Date: Tuesday, April 15, 2003	Sheet 5	of 5