

LABEL PLACEMENT

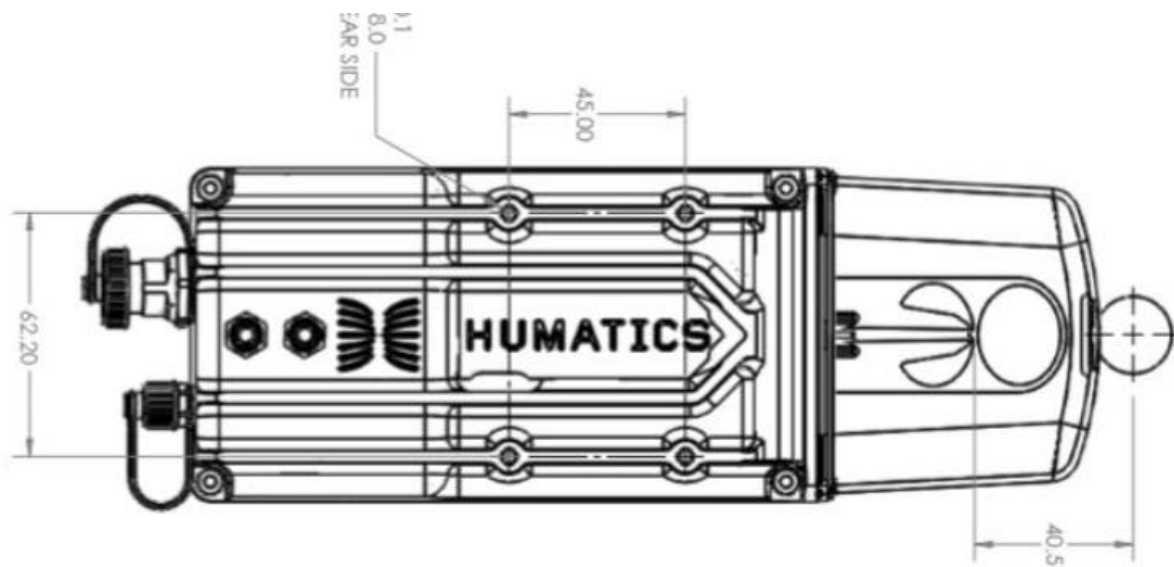
Applicant: Humatics Corporation

Model – Beacon-Node

FCC ID: NUF-C445-A

WHEN YOU NEED TO BE SURE





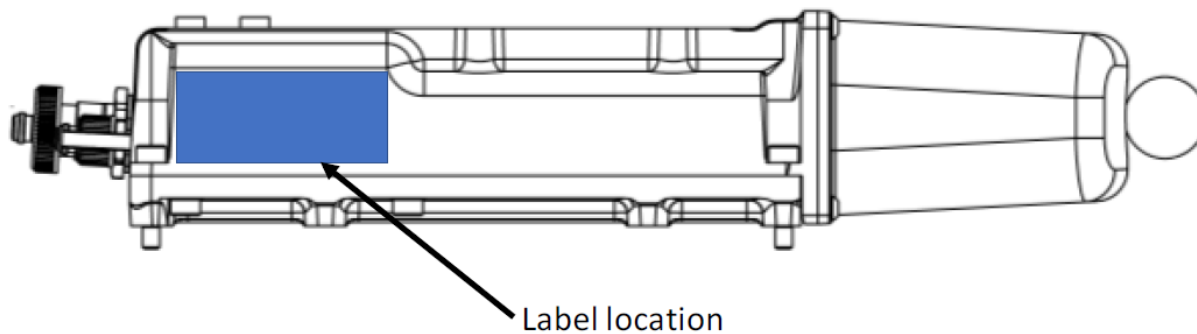


Fig. 15: Location of certification label

WWW.SGS.COM

WHEN YOU NEED TO BE SURE

