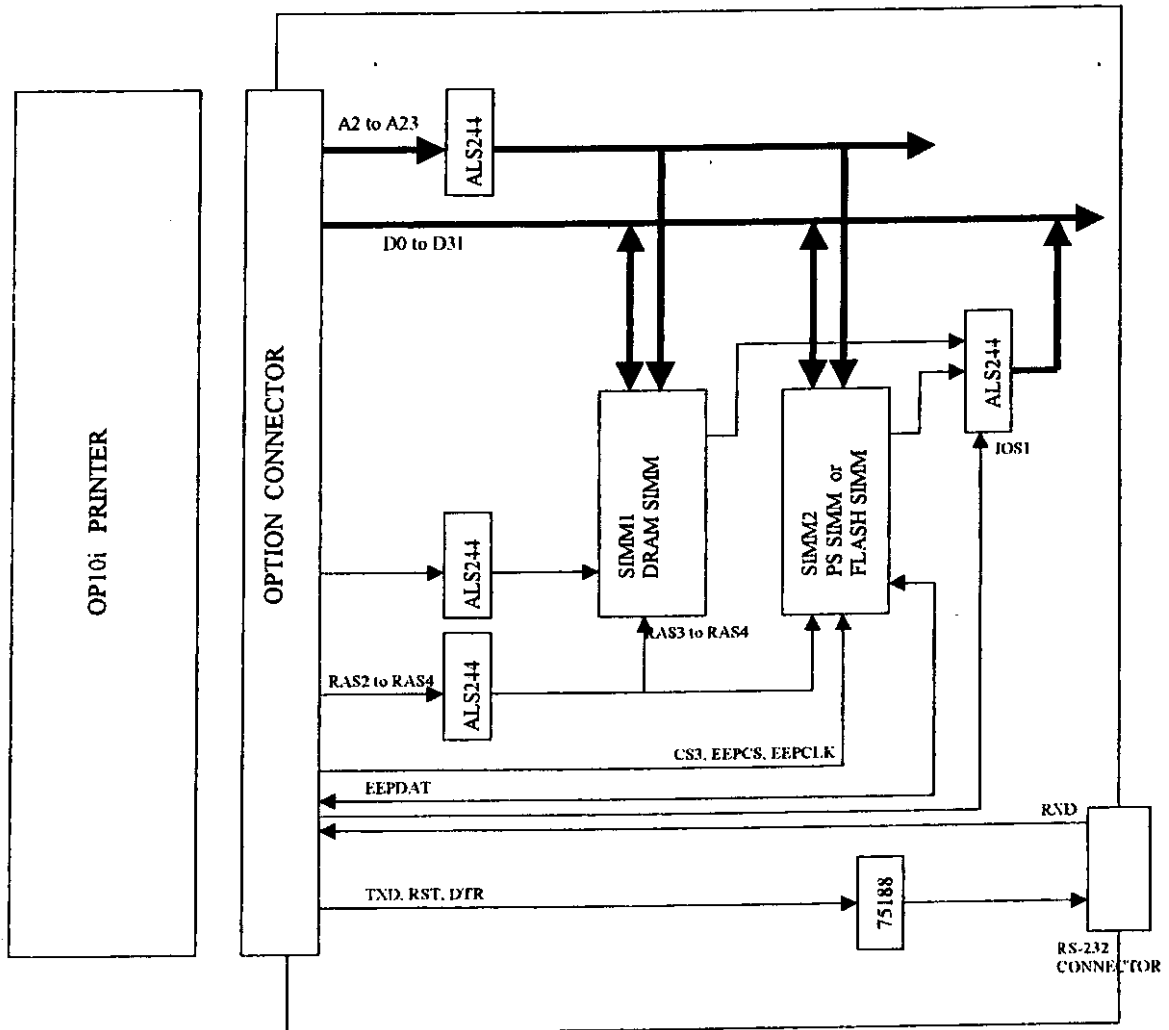


4. BLOCK DIAGRAM(S) OF EQUIPMENT

Figure 4.1 Block Diagram of SMIF



The Dynamic Random Access Memory (DRAM) is refreshed every 13.2uS by the 28MHz Central Processing Unit (CPU)
 NOTE: The CPU is not attached to this PCB but to the main control board within the Printer

Tested by : B. Tait

Appendix C

EUT CONFIGURATION

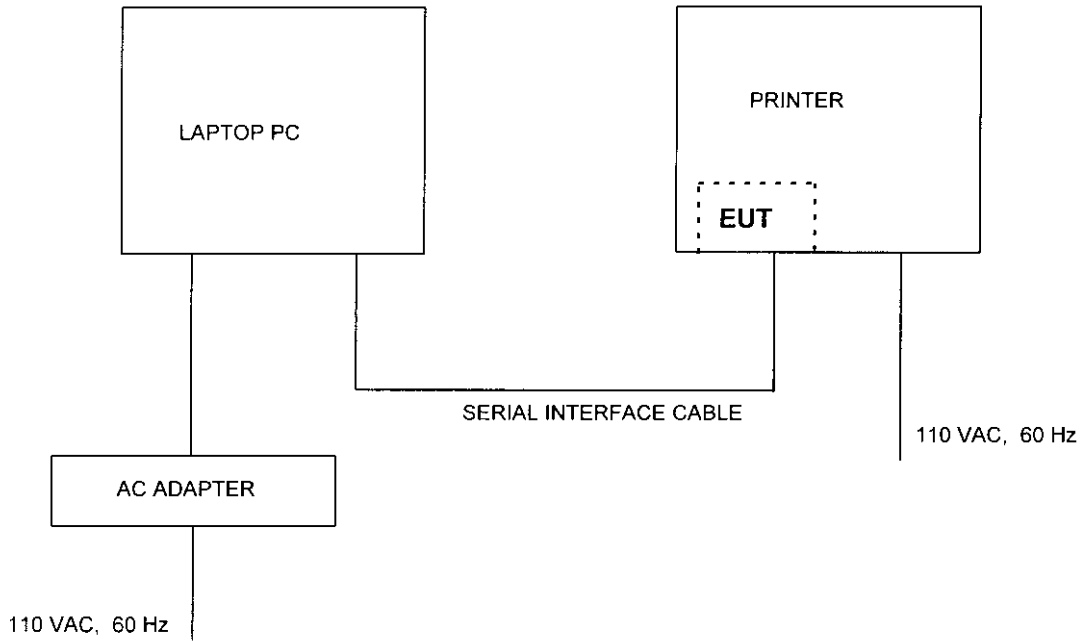


Fig 2. Block diagram.