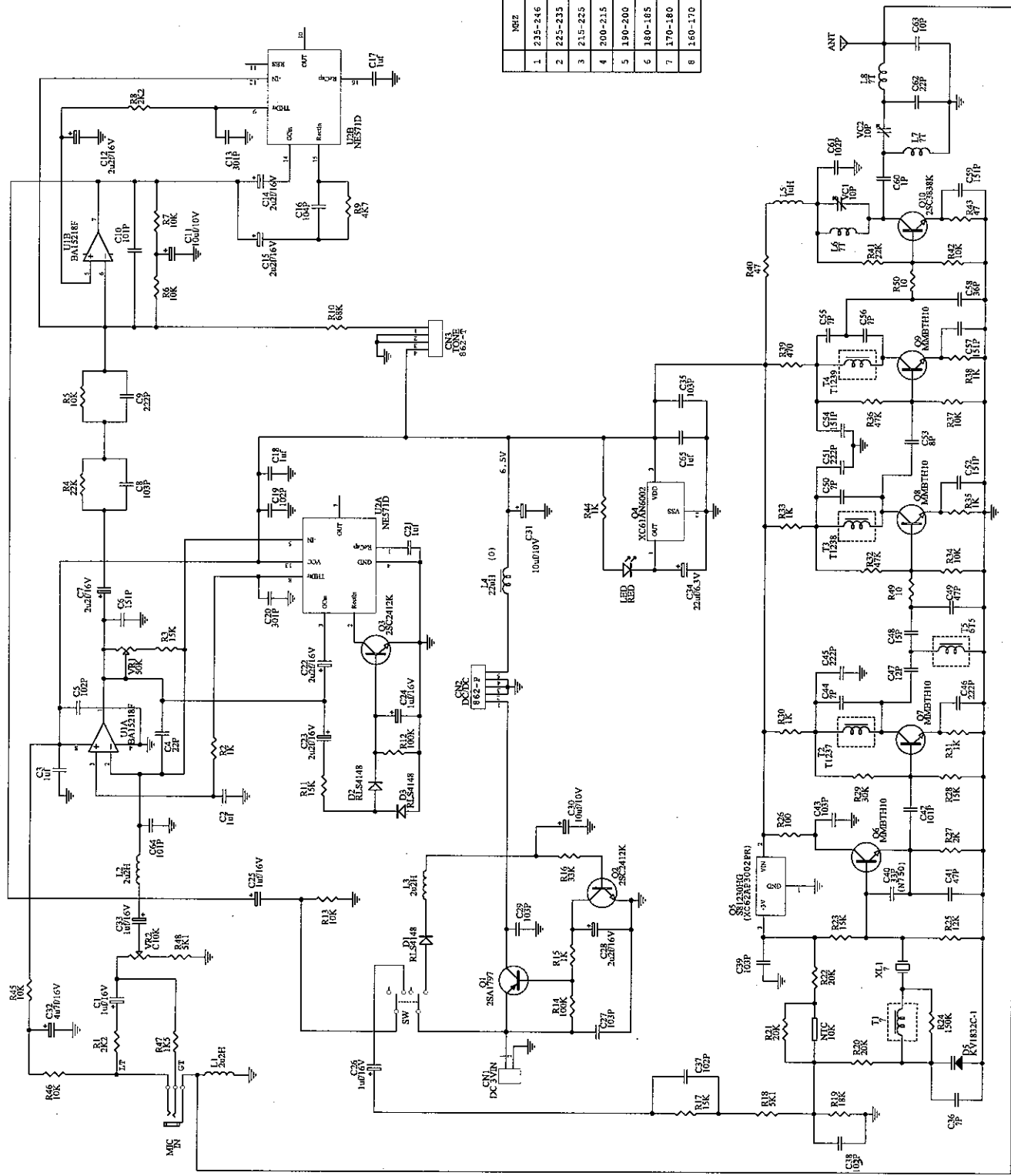


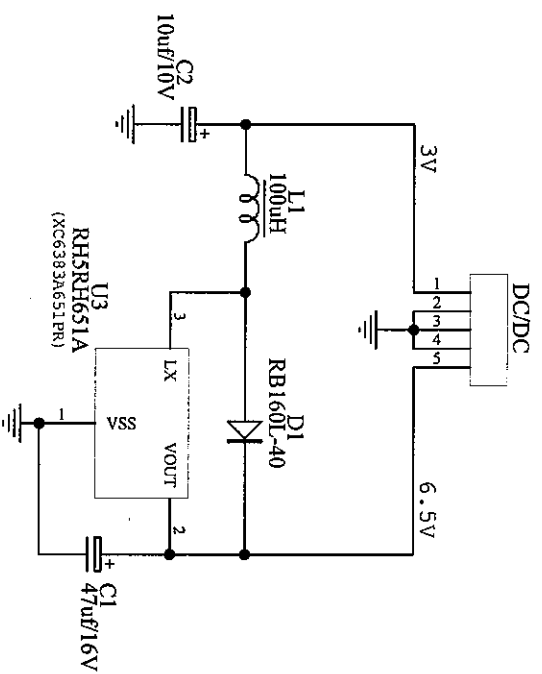
EXHIBIT D

Circuit Diagram



RES	T1	C44	C50	C55	L6	L7	L8
1 235-246	1151	15P	8P	7P	6P	5T	4T
2 225-235	1151	18P	10P	8P	7P	6T	4T
3 215-225	1152	22P	12P	10P	8P	6T	5T
4 200-215	1153	27P	12P	10P	10P	7T	6T
5 190-200	1154	33P	15P	12P	10P	7T	6T
6 180-185	1155	39P	18P	15P	12P	7T	6T
7 170-180	1155	47P	22P	18P	15P	7T	6T
8 160-170	1156	56P	22P	22P	18P	7T	6T

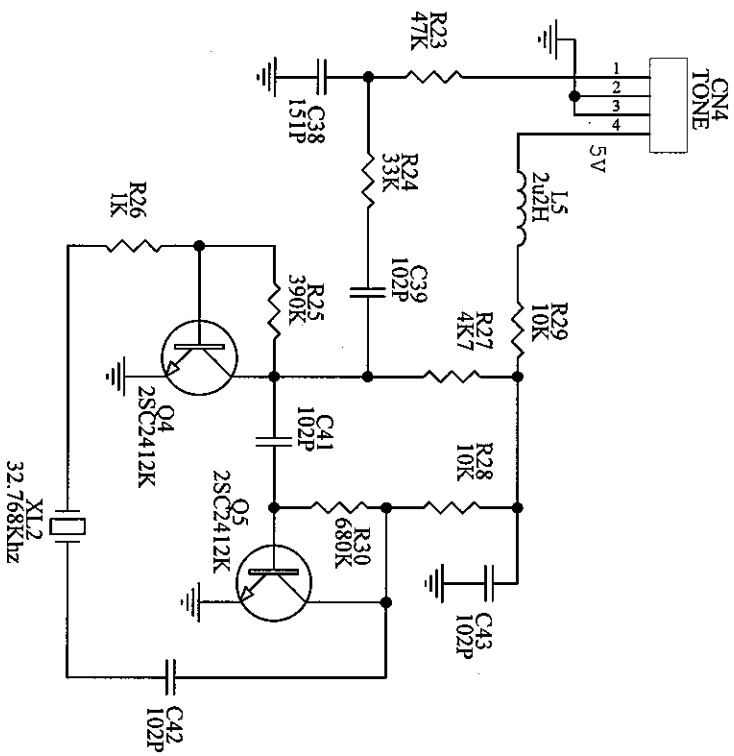
EJ-2LT/EJ-3LT.



Title		27-2LT / 27-3LT	
Size	Number	Revision	
A4	MM169-P		
Date:	28-Jun-2000	Sheet	6 of
File:	D:\SCH\MM169\MM169-P.S01	Drawn By:	

1 2 3 4

A B C D



Title		27-217 / 27-317	
Size	Number	Revision	
A4	MM169-T		
Date:	28-Jun-2000	Sheet of	
File:	D:\SCE\MM169\MM169-T.S01	Drawn By:	