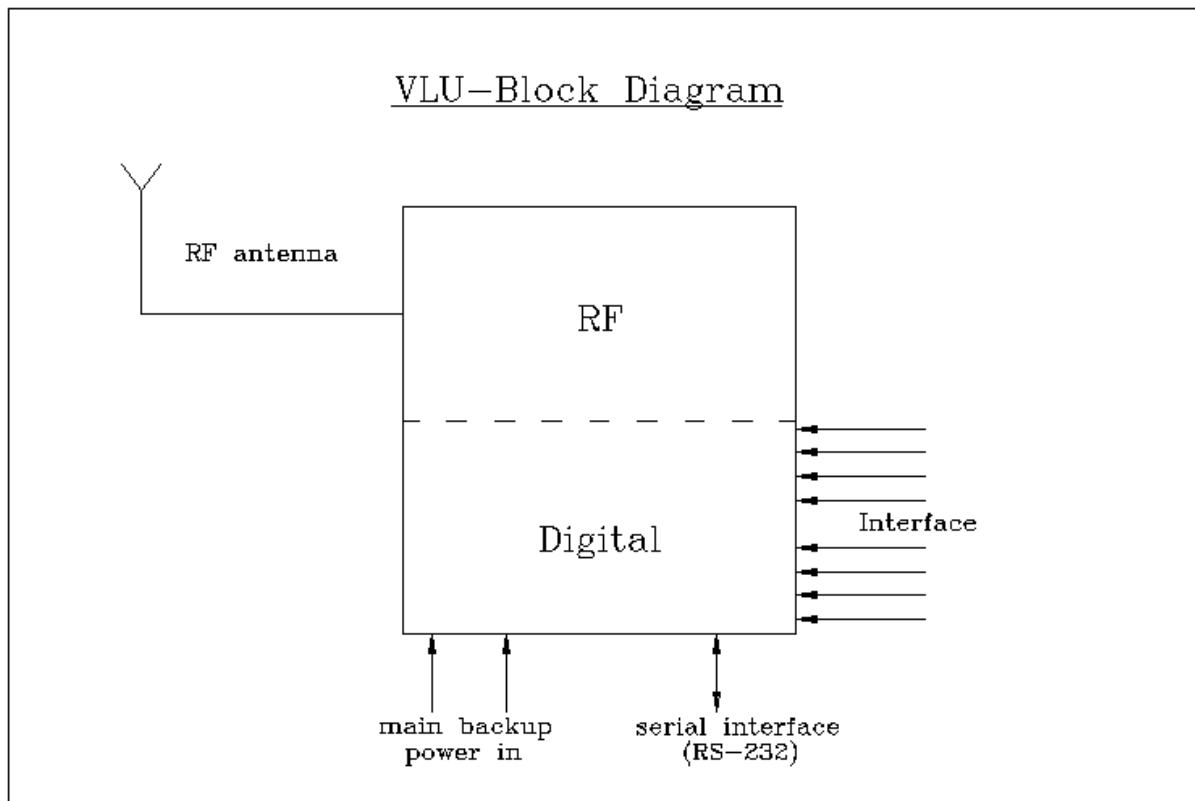


Tulip – US- A

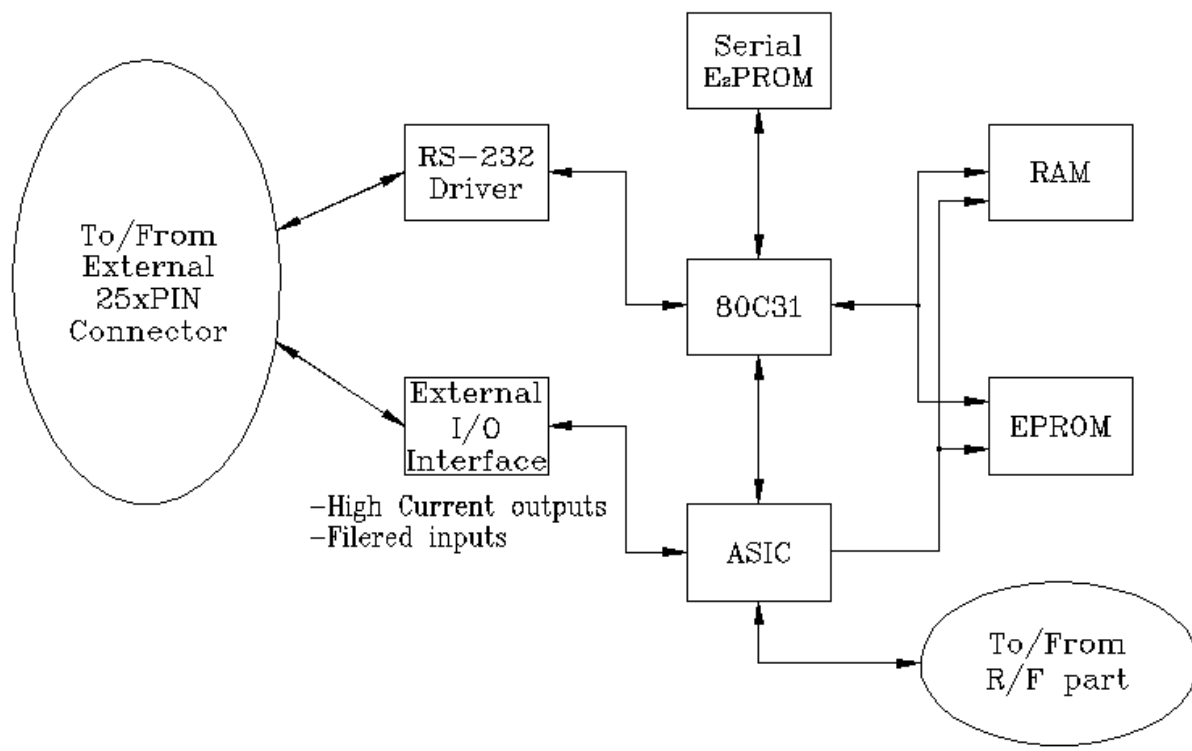
(VLU)

Block Diagrams

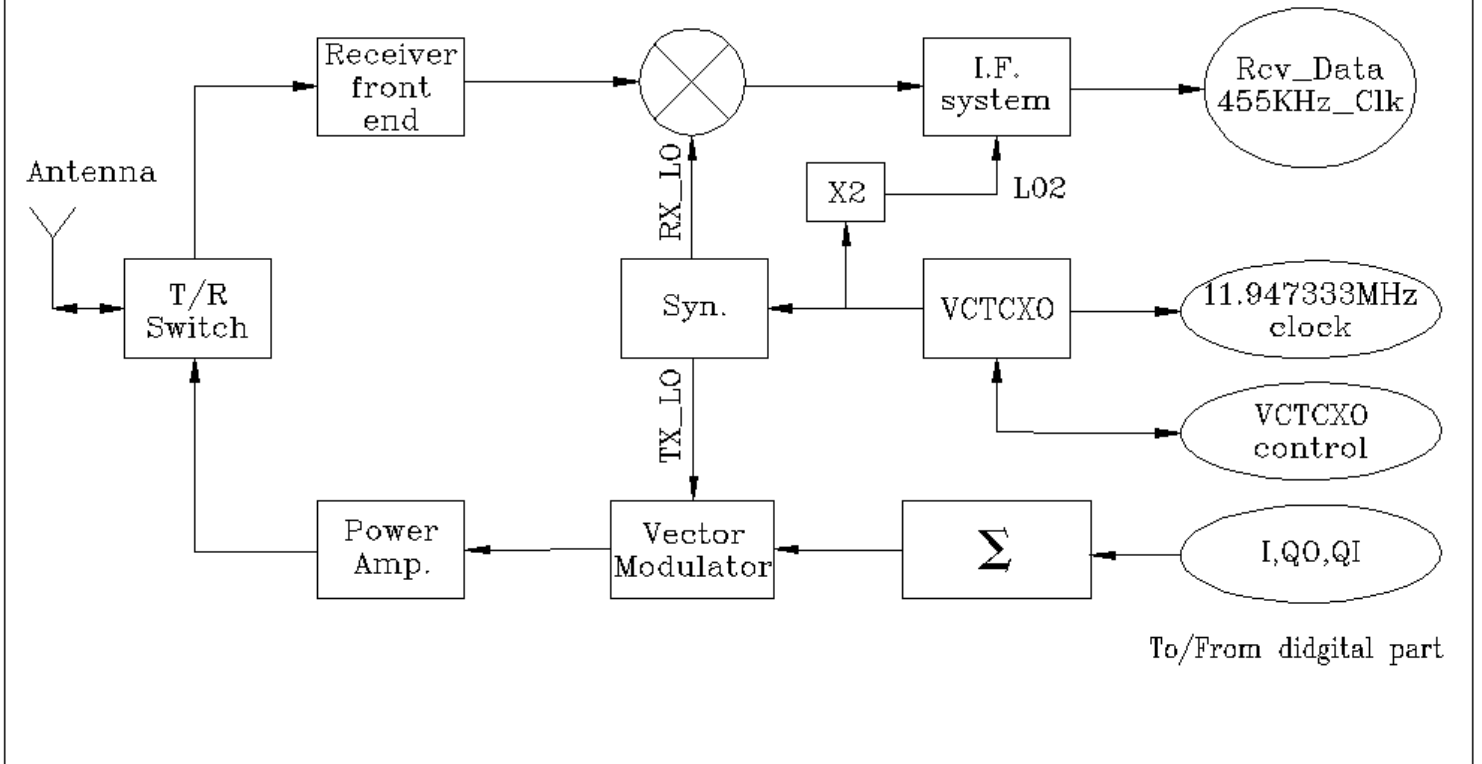
Proposed for
FCC Type Approval



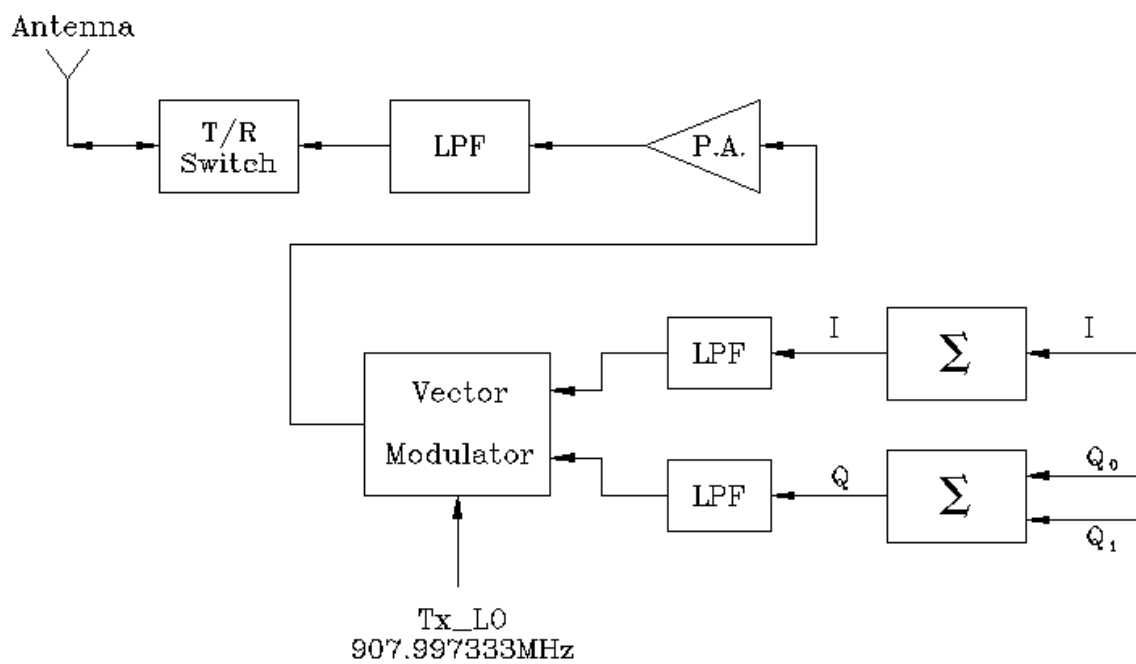
Didgital Part

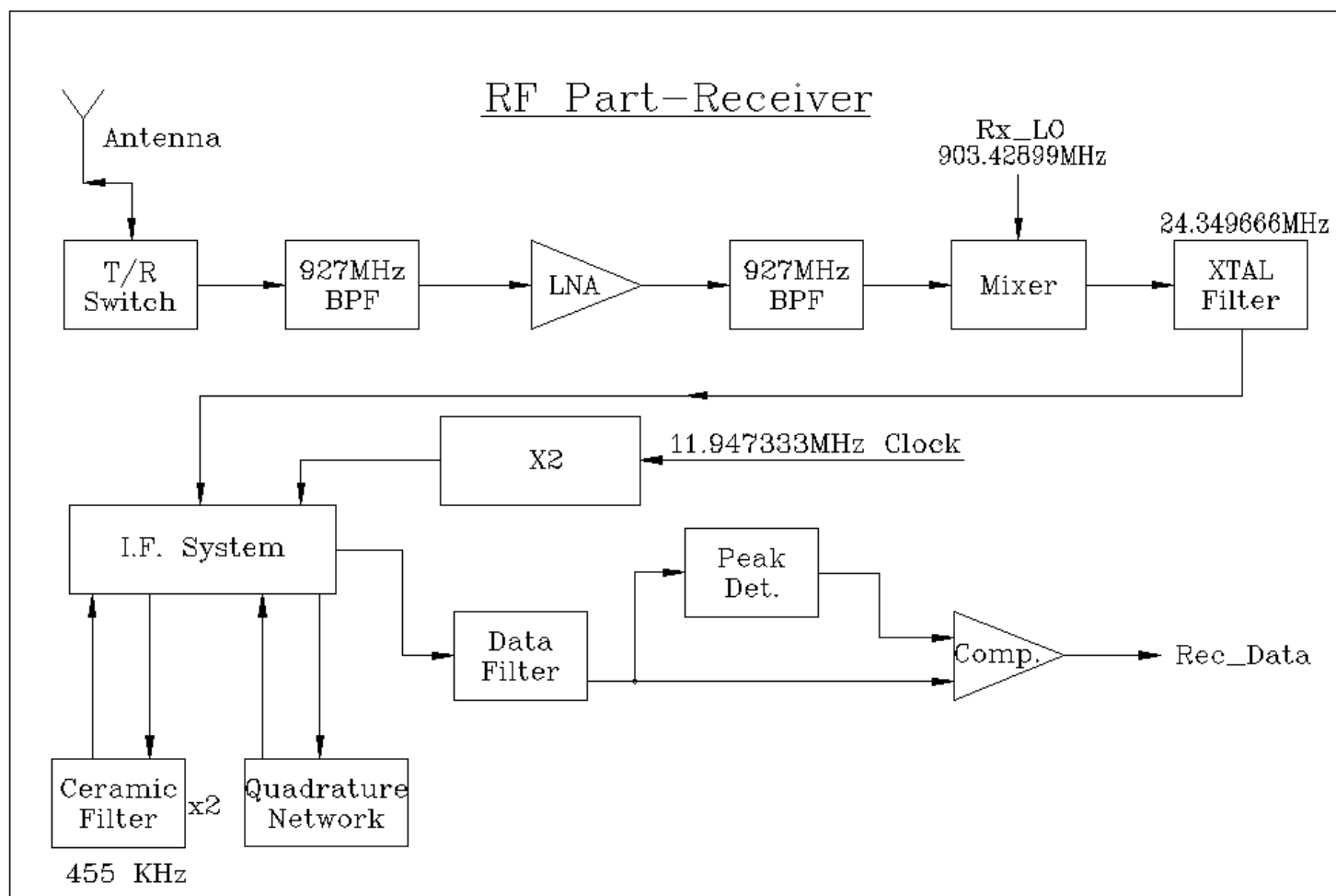


RF Part-Block Diagram



RF Part-Transmitter





RF Part Synthesizer

