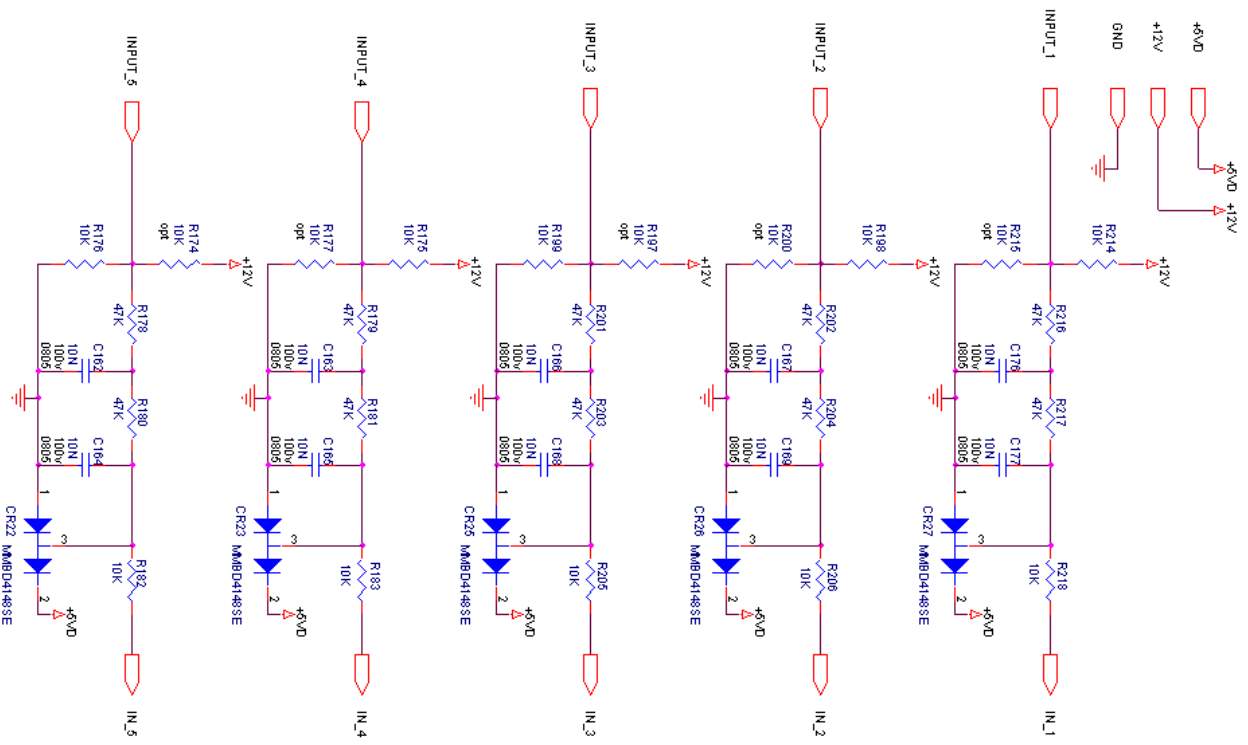


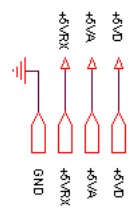
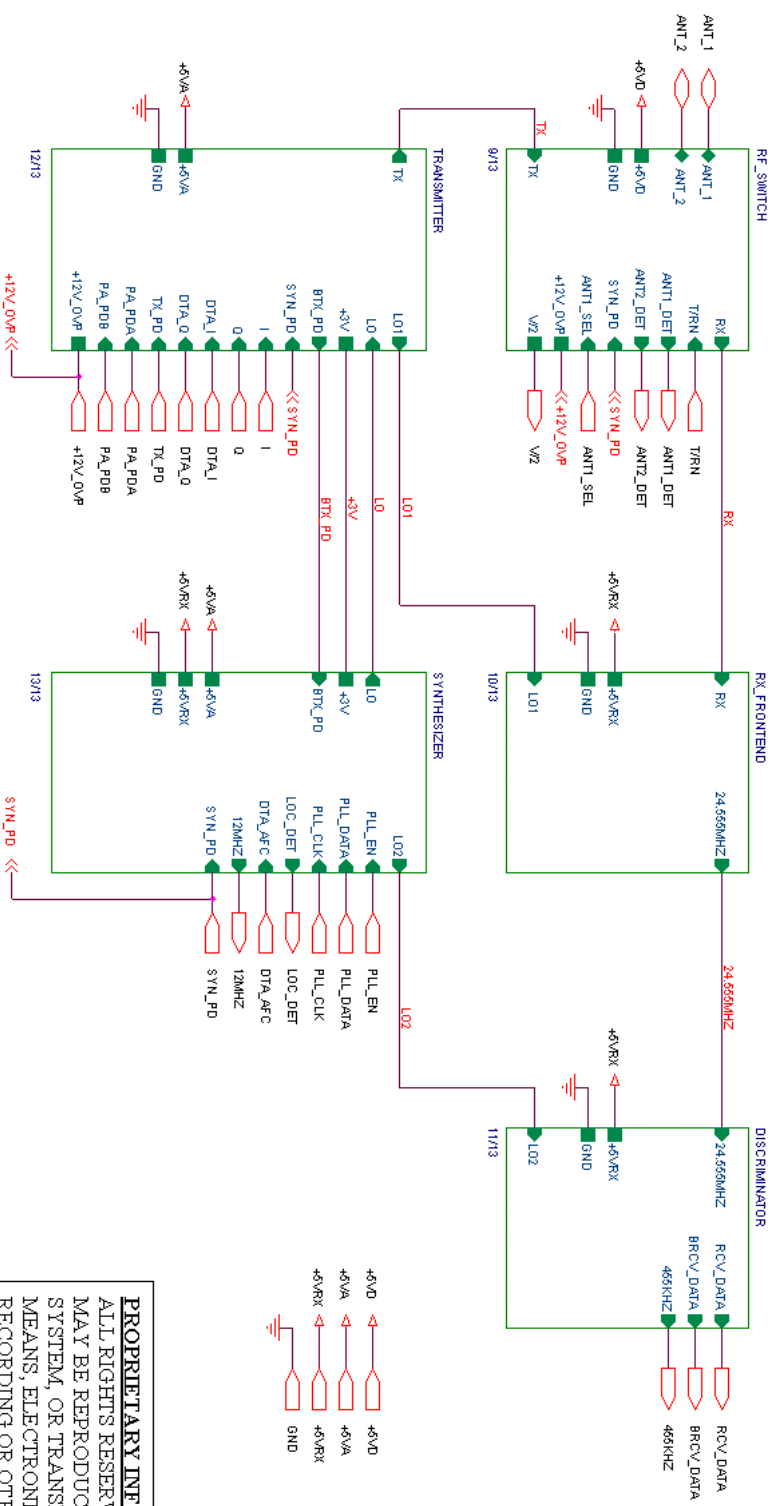
**PROPRIETARY INFORMATION**  
 ALL RIGHTS RESERVED, NO PARTS OF THIS DOCUMENT  
 MAY BE REPRODUCED, STORED IN A RETRIEVAL  
 SYSTEM, OR TRANSMITTED, IN ANY FORM OR BY ANY  
 MEANS, ELECTRONIC, MECHANICAL, PHOTOCOPYING,  
 RECORDING OR OTHERWISE, WITHOUT THE PRIOR  
 WRITTEN PERMISSION OF TADIRAN TELEMATICS LTD,  
 NOR USED IN WHOLE OR IN PART FOR ANY PURPOSE OR  
 FOR ANY CUSTOMER EXCEPT TADIRAN TELEMATICS.

Title	TUUPUS/OUTPUT	Rev	B
Size	Document Number	Sheet	7 of 13
Date:	2135-95174-00	Thursday, January 27, 2000	



**PROPRIETARY INFORMATION**  
 ALL RIGHTS RESERVED, NO PARTS OF THIS DOCUMENT  
 MAY BE REPRODUCED, STORED IN A RETRIEVAL  
 SYSTEM, OR TRANSMITTED, IN ANY FORM OR BY ANY  
 MEANS, ELECTRONIC, MECHANICAL, PHOTOCOPIING,  
 RECORDING OR OTHERWISE, WITHOUT THE PRIOR  
 WRITTEN PERMISSION OF TADIRAN TELEMATICS LTD,  
 NOR USED IN WHOLE OR IN PART FOR ANY PURPOSE OR  
 FOR ANY CUSTOMER EXCEPT TADIRAN TELEMATICS.

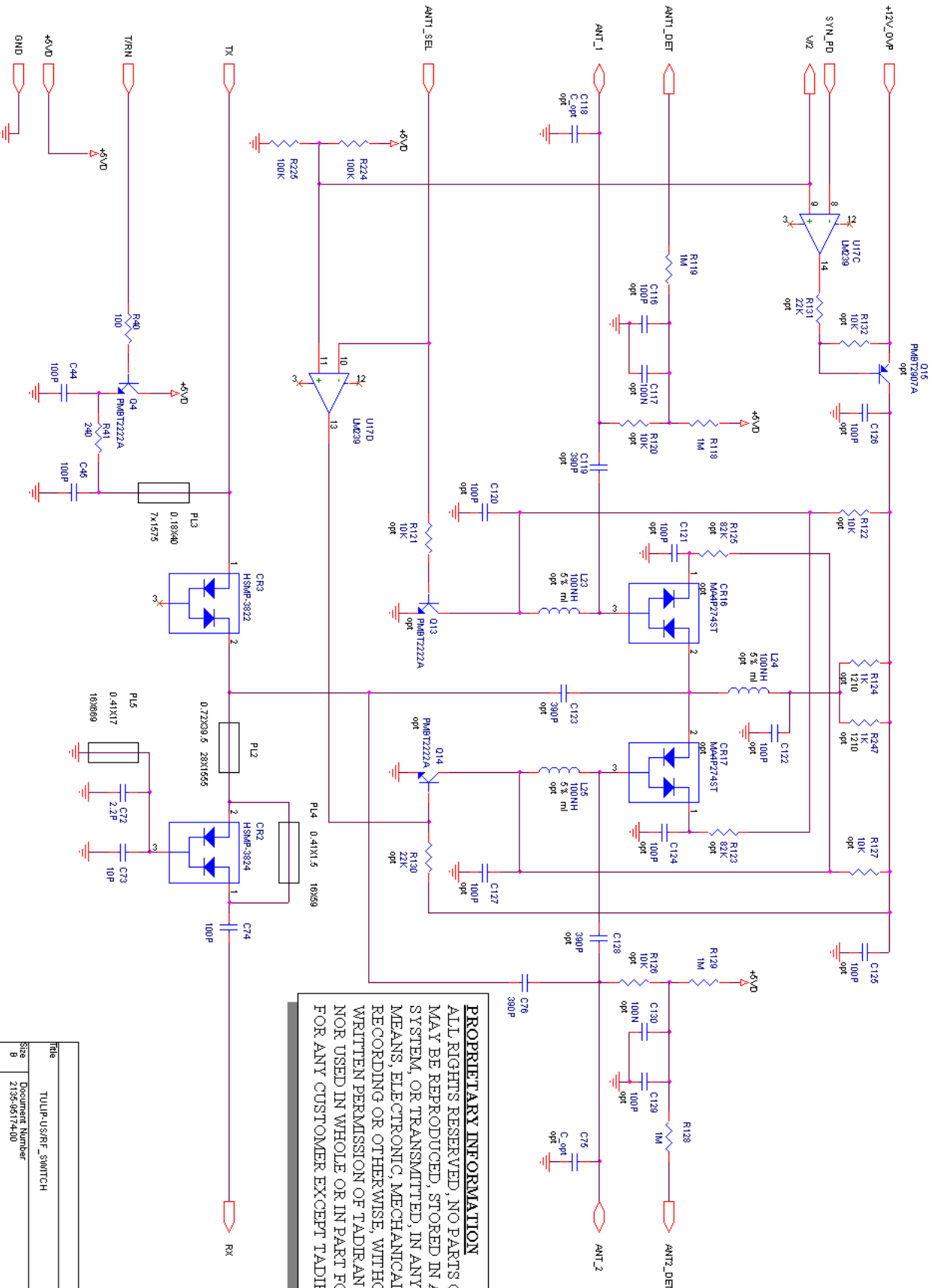
Title		TULIP-US/INPUT	
Size	Document Number	Rev	
B	2136-95174-00	B	
Date:	Thursday, January 27, 2000	Sheet	0 of 13



**PROPRIETARY INFORMATION**

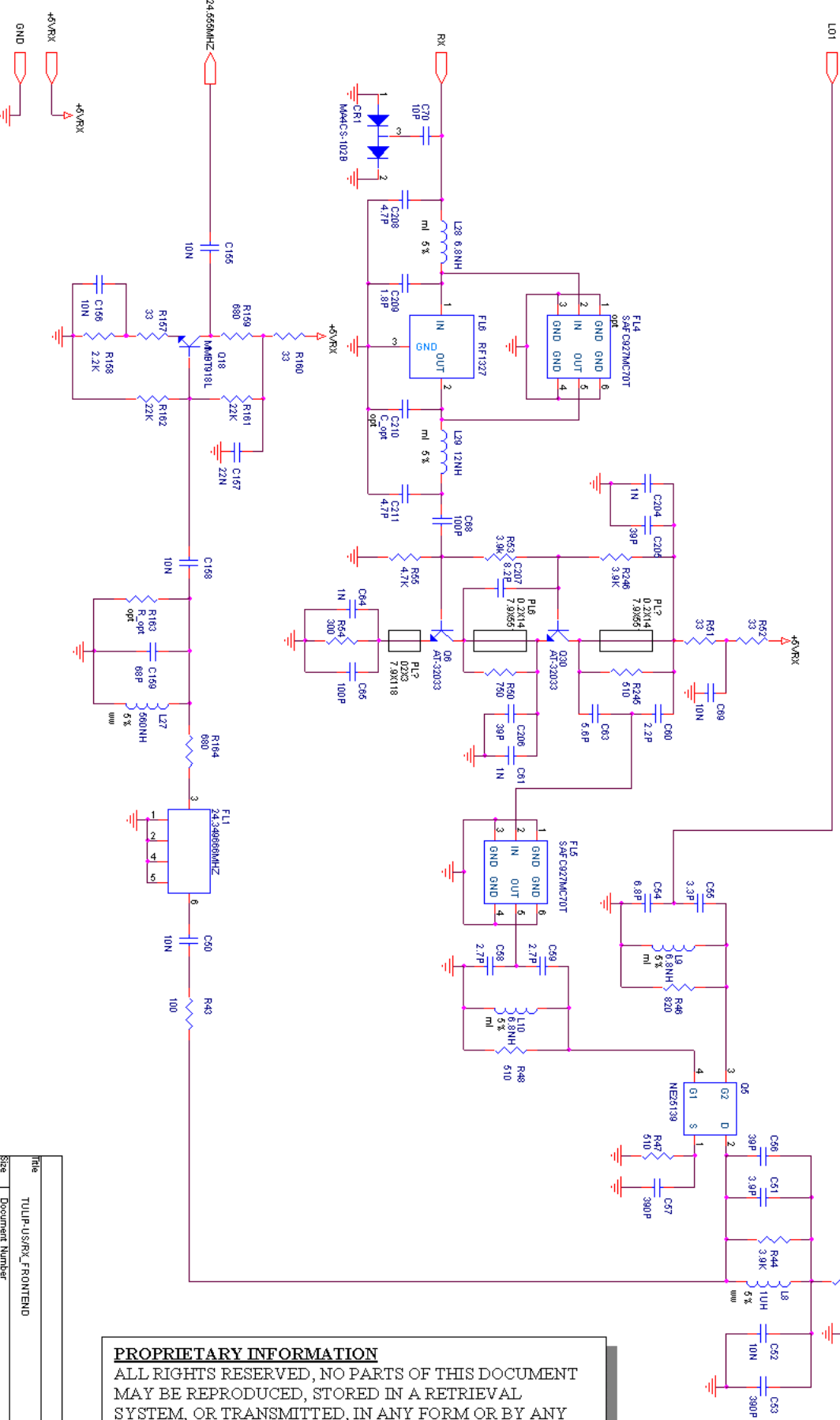
ALL RIGHTS RESERVED. NO PARTS OF THIS DOCUMENT MAY BE REPRODUCED, STORED IN A RETRIEVAL SYSTEM, OR TRANSMITTED, IN ANY FORM OR BY ANY MEANS, ELECTRONIC, MECHANICAL, PHOTOCOPIING, RECORDING OR OTHERWISE, WITHOUT THE PRIOR WRITTEN PERMISSION OF TADIRAN TELEMATICS LTD, NOR USED IN WHOLE OR IN PART FOR ANY PURPOSE OR FOR ANY CUSTOMER EXCEPT TADIRAN TELEMATICS.

File	TUUP-USVRF	Rev	9
Doc Number	2105-06174-00	Sheet	9 of 13
Date	Thursday, February 03, 2000		



**PROPRIETARY INFORMATION**  
 ALL RIGHTS RESERVED. NO PARTS OF THIS DOCUMENT  
 MAY BE REPRODUCED, STORED IN A RETRIEVAL  
 SYSTEM, OR TRANSMITTED, IN ANY FORM OR BY ANY  
 MEANS, ELECTRONIC, MECHANICAL, PHOTOCOPIING,  
 RECORDING OR OTHERWISE, WITHOUT THE PRIOR  
 WRITTEN PERMISSION OF TADIRAN TELEMATICS LTD,  
 NOR USED IN WHOLE OR IN PART FOR ANY PURPOSE OR  
 FOR ANY CUSTOMER EXCEPT TADIRAN TELEMATICS.

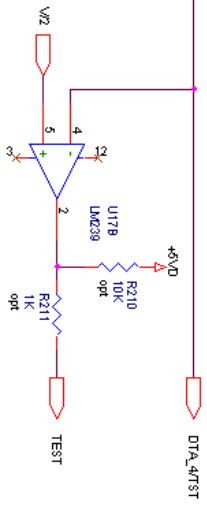
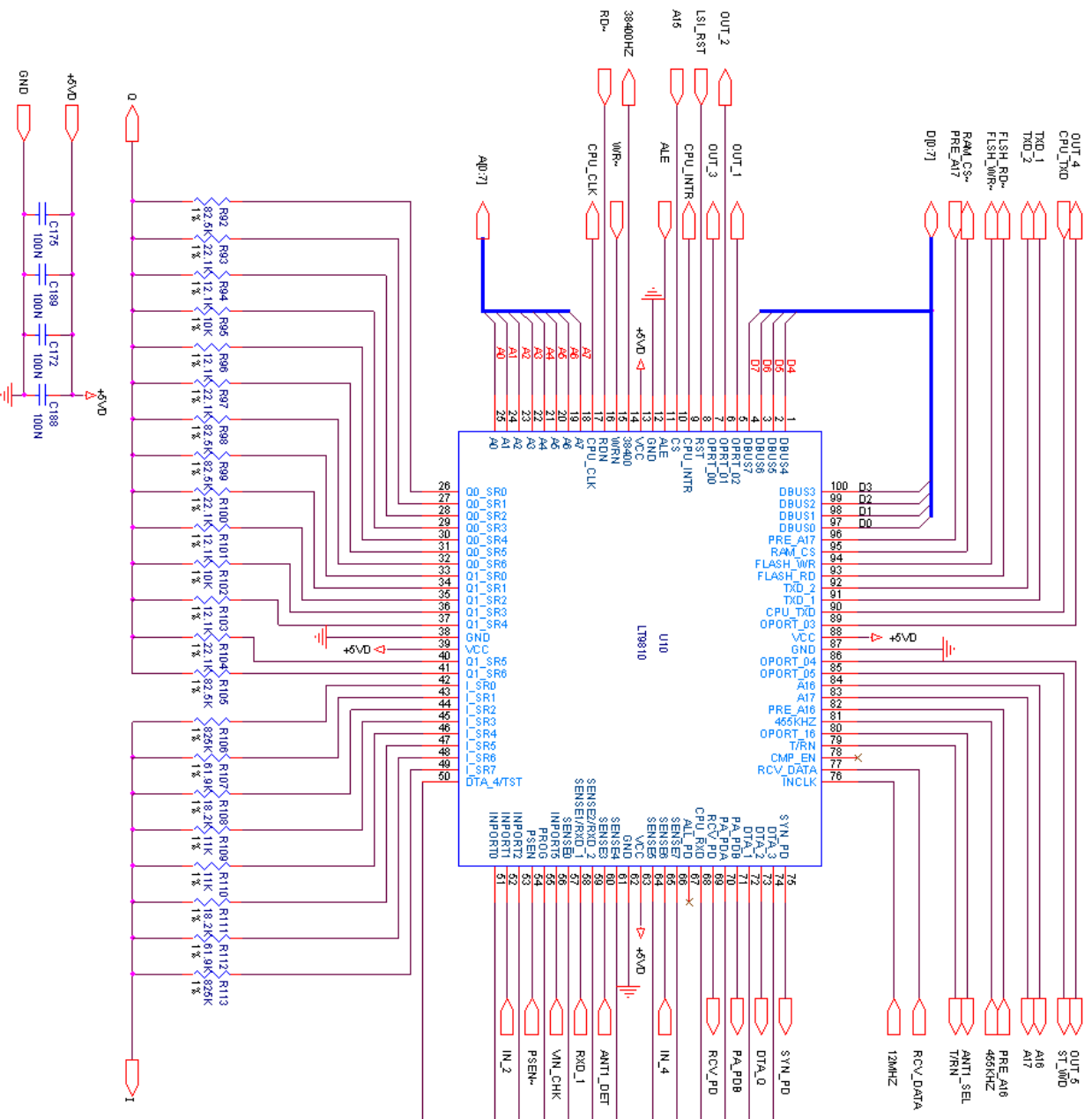
Title	TULIP-US/RF_SWITCH
Document Number	2136-95174-00
Rev	B
Date	Thursday, February 03, 2000
Sheet	10 of 13



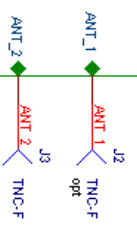
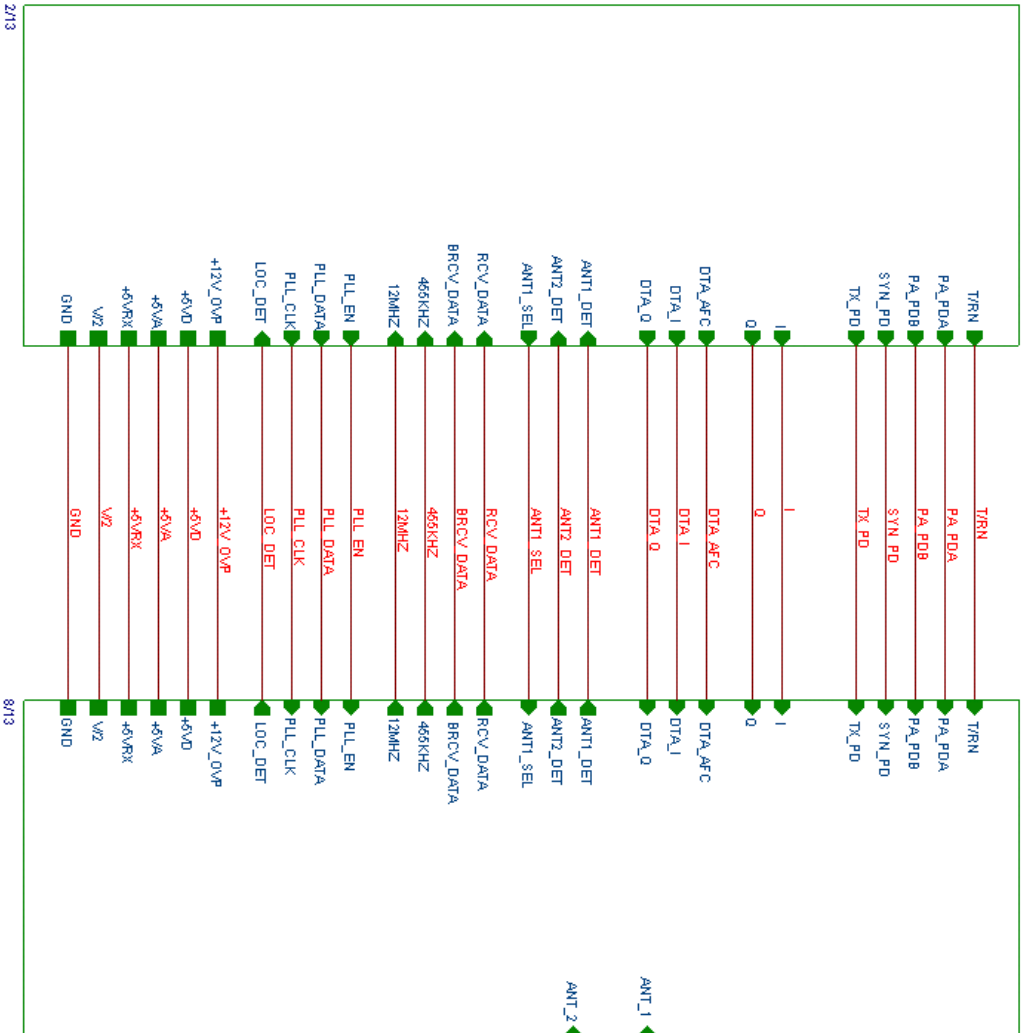
**PROPRIETARY INFORMATION**  
 ALL RIGHTS RESERVED, NO PARTS OF THIS DOCUMENT  
 MAY BE REPRODUCED, STORED IN A RETRIEVAL  
 SYSTEM, OR TRANSMITTED, IN ANY FORM OR BY ANY  
 MEANS, ELECTRONIC, MECHANICAL PHOTOCOPIING,  
 RECORDING OR OTHERWISE, WITHOUT THE PRIOR  
 WRITTEN PERMISSION OF TADIRAN TELEMATICS LTD,  
 NOR USED IN WHOLE OR IN PART FOR ANY PURPOSE OR  
 FOR ANY CUSTOMER EXCEPT TADIRAN TELEMATICS.

Title		TULIP-US/RX_Frontend	
Size		Document Number	
B		2138-9517/400	
Date:		Thursday, February 03, 2000	
Sheet		11 of 13	
Rev		B	

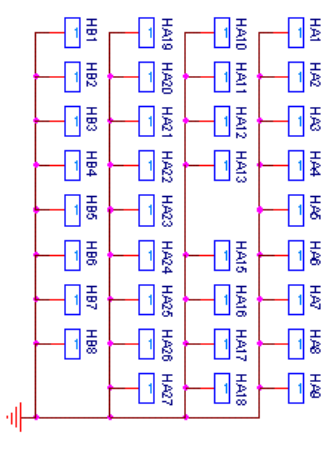
**PROPRIETARY INFORMATION**  
 ALL RIGHTS RESERVED, NO PARTS OF THIS DOCUMENT MAY BE REPRODUCED, STORED IN A RETRIEVAL SYSTEM, OR TRANSMITTED, IN ANY FORM OR BY ANY MEANS, ELECTRONIC, MECHANICAL, PHOTO COPYING, RECORDING OR OTHERWISE, WITHOUT THE PRIOR WRITTEN PERMISSION OF TADIRAN TELEMATICS LTD, NOR USED IN WHOLE OR IN PART FOR ANY PURPOSE C FOR ANY CUSTOMER EXCEPT TADIRAN TELEMATICS.



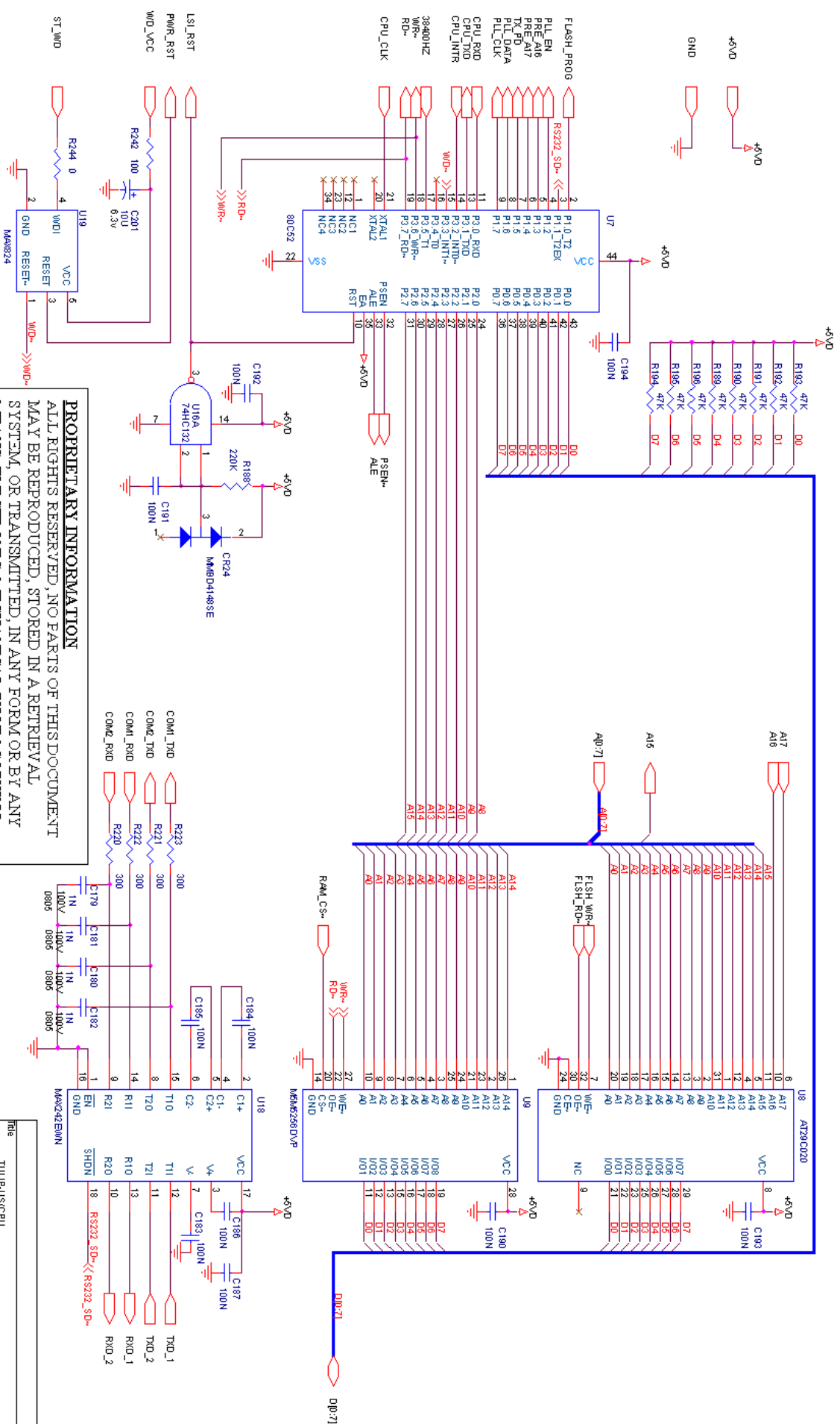
File	TULIP-US/ASIC
Size	Document Number
B	Z135-9517400
Date:	Thursday, February 03, 2000
Sheet	2 of 13
Rev	B



**PROPRIETARY INFORMATION**  
 ALL RIGHTS RESERVED, NO PARTS OF THIS DOCUMENT  
 MAY BE REPRODUCED, STORED IN A RETRIEVAL  
 SYSTEM, OR TRANSMITTED, IN ANY FORM OR BY ANY  
 MEANS, ELECTRONIC, MECHANICAL, PHOTOCOPIING,  
 RECORDING OR OTHERWISE, WITHOUT THE PRIOR  
 WRITTEN PERMISSION OF TADIRAN TELEMATICS LTD,  
 NOR USED IN WHOLE OR IN PART FOR ANY PURPOSE OR  
 FOR ANY CUSTOMER EXCEPT TADIRAN TELEMATICS.



Title		TUUP-US/BLOCK	
Size	Document Number		Rev
B	2135-90174-00		B
Date:	Thursday, January 27, 2000	Sheet	1 of 13

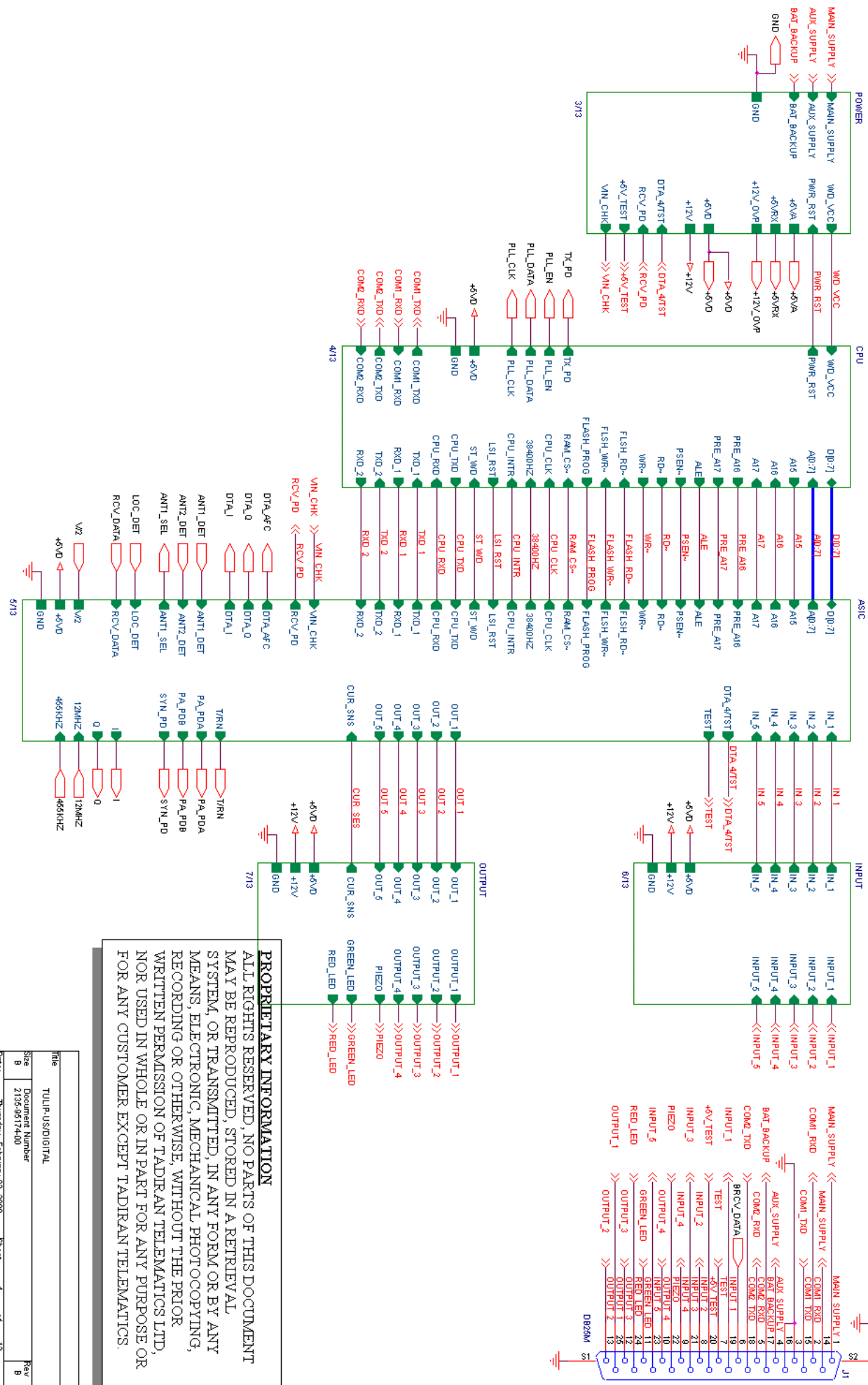


**PROPRIETARY INFORMATION**

ALL RIGHTS RESERVED. NO PARTS OF THIS DOCUMENT MAY BE REPRODUCED, STORED IN A RETRIEVAL SYSTEM, OR TRANSMITTED, IN ANY FORM OR BY ANY MEANS, ELECTRONIC, MECHANICAL, PHOTOCOPIING, RECORDING OR OTHERWISE, WITHOUT THE PRIOR WRITTEN PERMISSION OF TADIRAN TELEMATICS LTD, NOR USED IN WHOLE OR IN PART FOR ANY PURPOSE OR FOR ANY CUSTOMER EXCEPT TADIRAN TELEMATICS.

File	TULIP-US/SCPU
Size	Document Number
B	2135-96714-00
Date:	Thursday, 1 February 03, 2000
Sheet	3 of 13
Rev	B

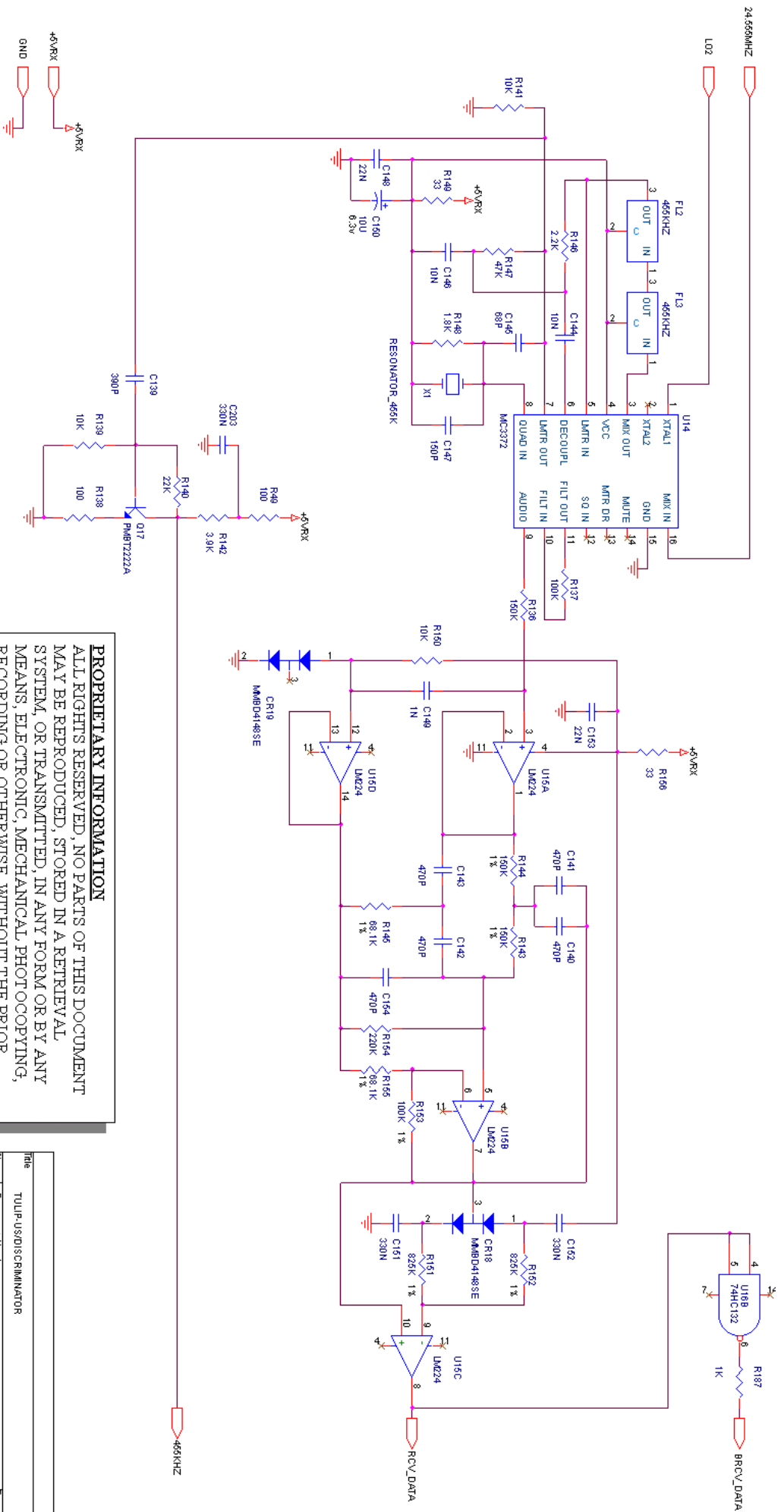




**PROPRIETARY INFORMATION**

ALL RIGHTS RESERVED, NO PARTS OF THIS DOCUMENT MAY BE REPRODUCED, STORED IN A RETRIEVAL SYSTEM, OR TRANSMITTED, IN ANY FORM OR BY ANY MEANS, ELECTRONIC, MECHANICAL, PHOTOCOPIING, RECORDING OR OTHERWISE, WITHOUT THE PRIOR WRITTEN PERMISSION OF TADIRAN TELEMATICS LTD, NOR USED IN WHOLE OR IN PART FOR ANY PURPOSE OR FOR ANY CUSTOMER EXCEPT TADIRAN TELEMATICS.

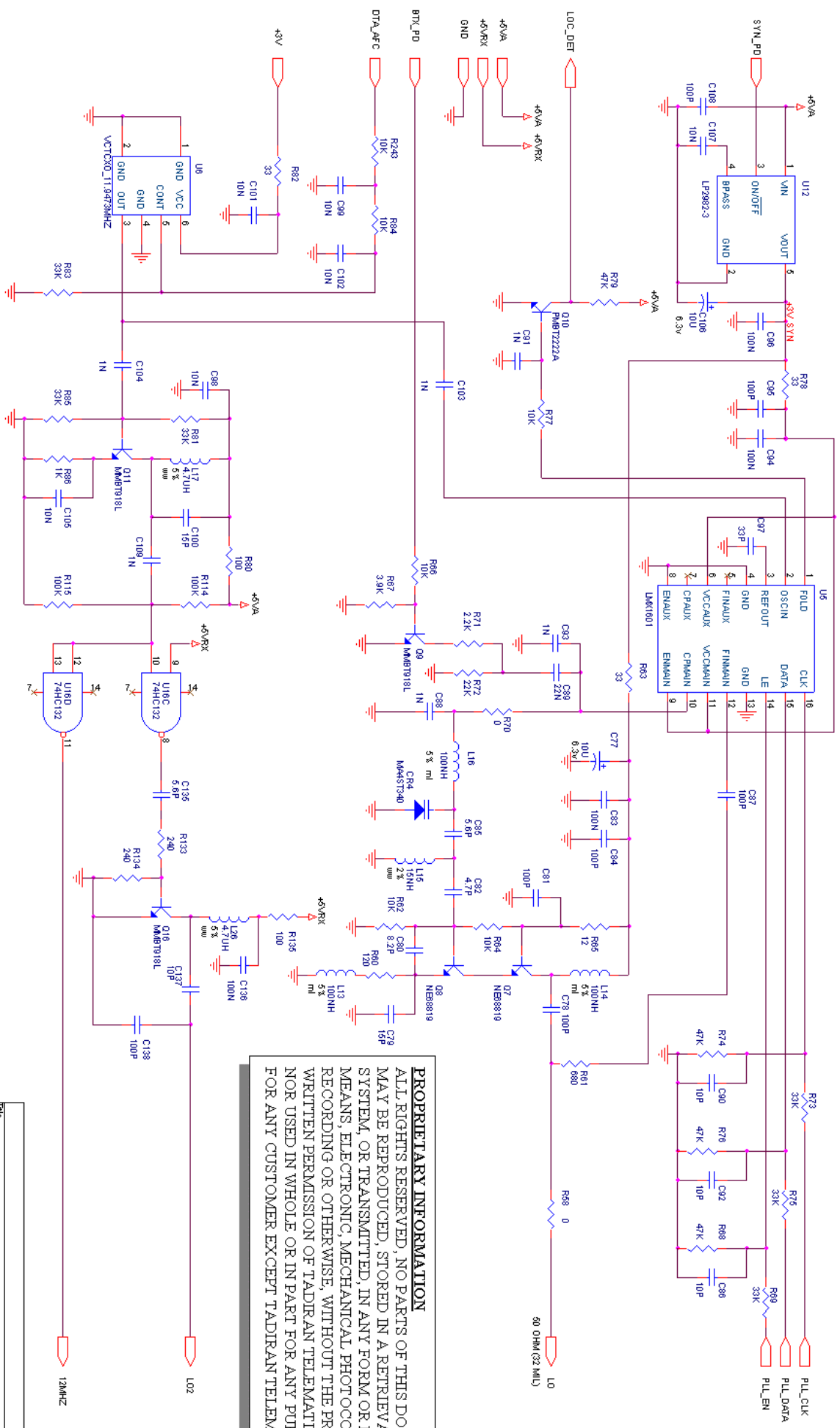
File	TULIP-US/DIGITAL
Size	B
Document Number	2136-96174-00
Date	Thursday, February 05, 2000
Sheet	4 of 13
Rev	B



**PROPRIETARY INFORMATION**  
 ALL RIGHTS RESERVED, NO PARTS OF THIS DOCUMENT  
 MAY BE REPRODUCED, STORED IN A RETRIEVAL  
 SYSTEM, OR TRANSMITTED, IN ANY FORM OR BY ANY  
 MEANS, ELECTRONIC, MECHANICAL, PHOTOCOPIING,  
 RECORDING OR OTHERWISE, WITHOUT THE PRIOR  
 WRITTEN PERMISSION OF TADIRAN TELEMATICS LTD,  
 NOR USED IN WHOLE OR IN PART FOR ANY PURPOSE OR  
 FOR ANY CUSTOMER EXCEPT TADIRAN TELEMATICS.

Title	TULIP-US/DISCRIMINATOR
Size	Document Number
B	2135-9617-4-00
Date:	Thursday, February 03, 2000
Sheet	5 of 13
Rev	B

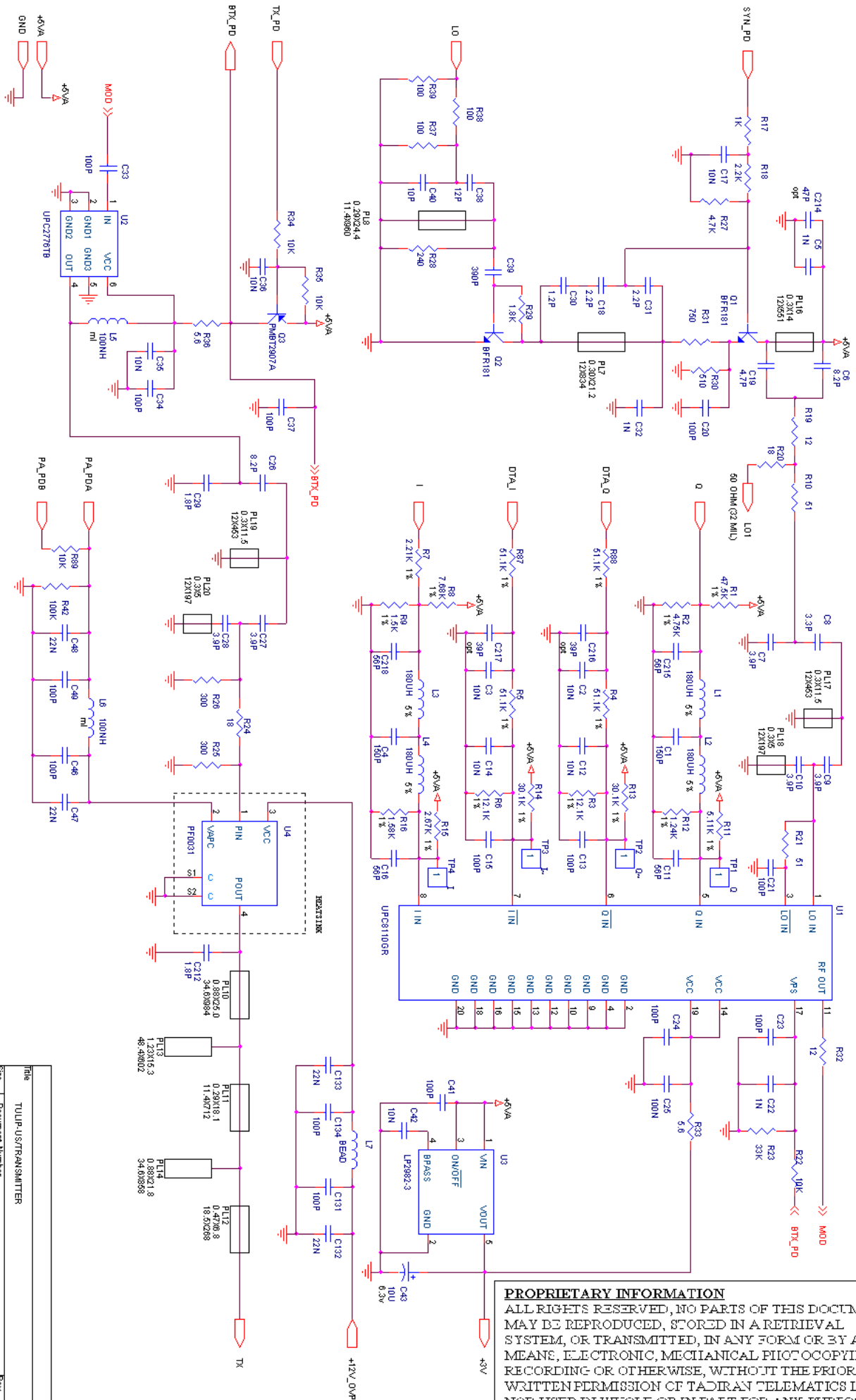




**PROPRIETARY INFORMATION**

ALL RIGHTS RESERVED, NO PARTS OF THIS DOCUMENT MAY BE REPRODUCED, STORED IN A RETRIEVAL SYSTEM, OR TRANSMITTED, IN ANY FORM OR BY ANY MEANS, ELECTRONIC, MECHANICAL, PHOTOCOPIED, RECORDING OR OTHERWISE, WITHOUT THE PRIOR WRITTEN PERMISSION OF TADIRAN TELEMATICS. IT IS NOT TO BE USED IN WHOLE OR IN PART FOR ANY PURPOSE, FOR ANY CUSTOMER EXCEPT TADIRAN TELEMATICS.

Title		TULIP-US/SYNTHESIZER	
Size	Document Number	2103-9311-4-00	
B			
Date:	Thursday, February 03, 2000	Sheet	12 of 13
		Rev	B



**PROPRIETARY INFORMATION**

ALL RIGHTS RESERVED, NO PARTS OF THIS DOCUMENT MAY BE REPRODUCED, STORED IN A RETRIEVAL SYSTEM, OR TRANSMITTED, IN ANY FORM OR BY ANY MEANS, ELECTRONIC, MECHANICAL, PHOTOCOPIING, RECORDING OR OTHERWISE, WITHOUT THE PRIOR WRITTEN PERMISSION OF TADIRAN TELEMATICS INC. NOT USED IN WHOLE OR IN PART FOR ANY PURPOSE.

File	TULIP-UJ57TRANSMITTER
Document Number	2136-96174-00
Size	B
Rev	B
Date:	Tuesday, February 08, 2000
Sheet	13 of 13