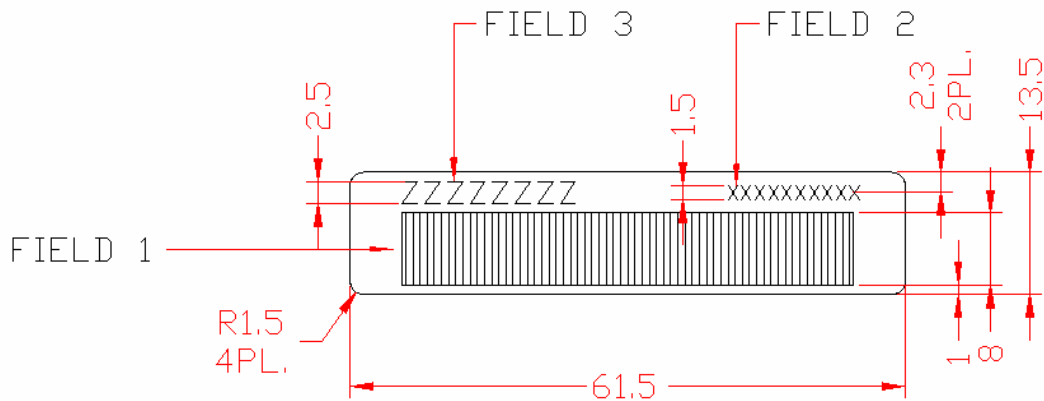


NTAFP-200SAG Nameplate



FIELDS DISCRIPTION:

FIELD 1: BAR CODE OF FIELD 2.

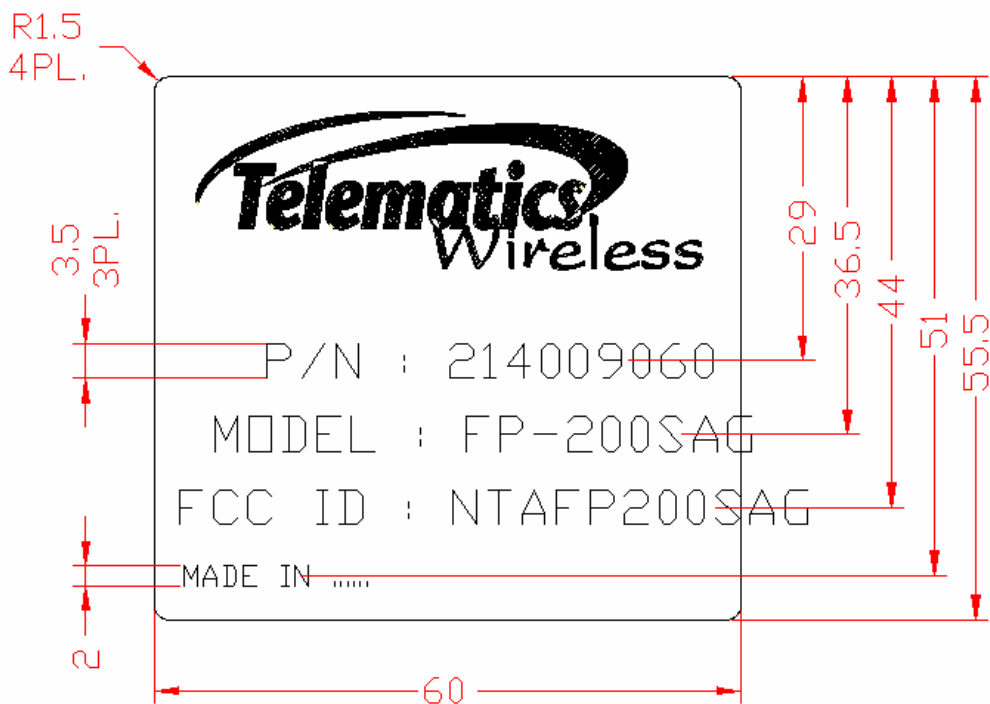
FIELD 2: BAR CODE DISPLAY (XXXXXXXXXX):

10 CHARACTERS, CONSECUTIVE NUMERICAL PUBLIC ID (DEC).

FIELD 3: PUBLIC ID (HEX) (ZZZZZZZZ) IS THE TRANSFORMATION

TO HEXADECIMAL NUMBER OF PUBLIC ID (DEC).

(XXXXXXXXXX OF FIELD 2).



This device complies with Part 15 of the FCC Rules. Operation is subject to the following two conditions:
1) This device may not cause harmful interference, and
2) This device must accept any interference received, including interference that may cause undesired operation

Actual Size

This device complies with Part 15 of the FCC Rules. Operation is subject to the following two conditions:
1) This device may not cause harmful interference, and
2) This device must accept any interference received, including interference that may cause undesired operation

Scale: 2:1