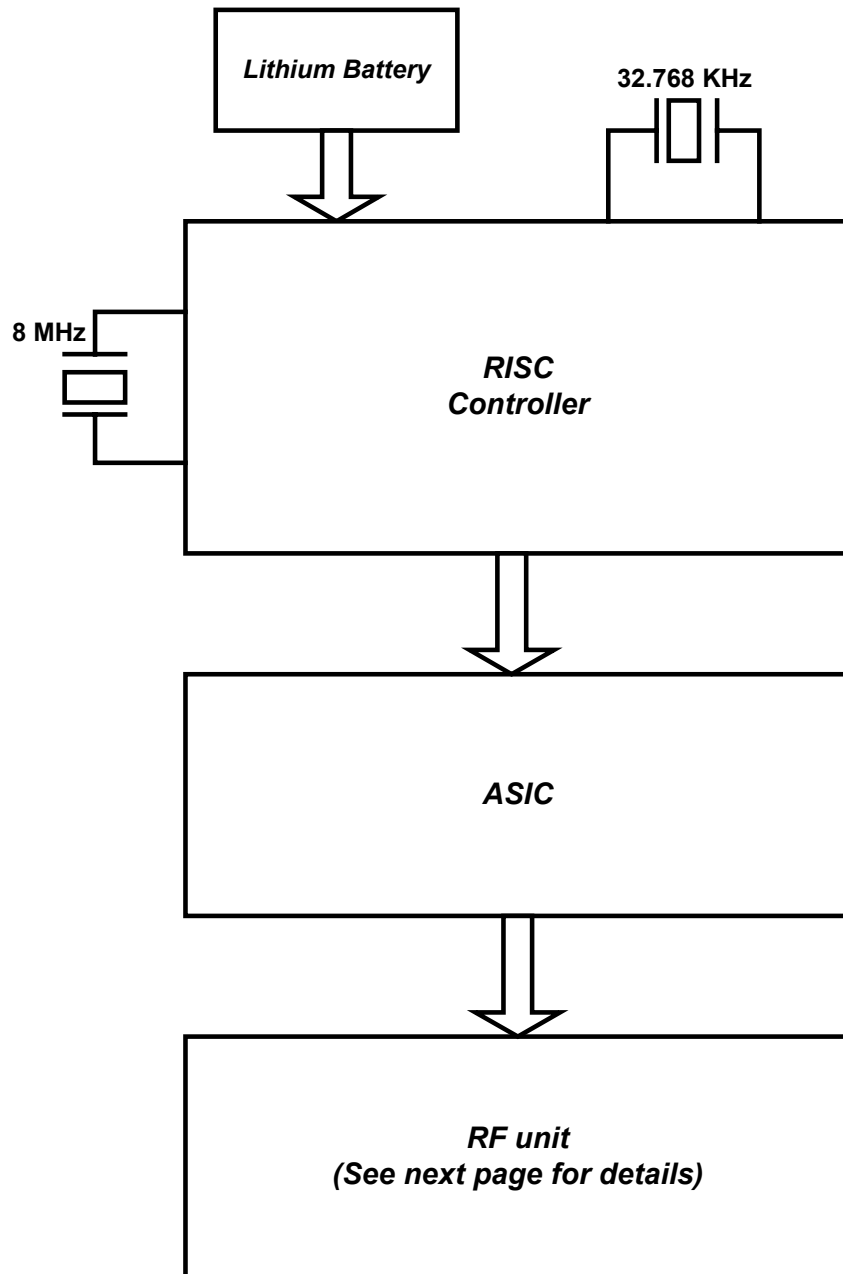


FP200INT Block Diagram



FP200INT RF Unit Block Diagram

