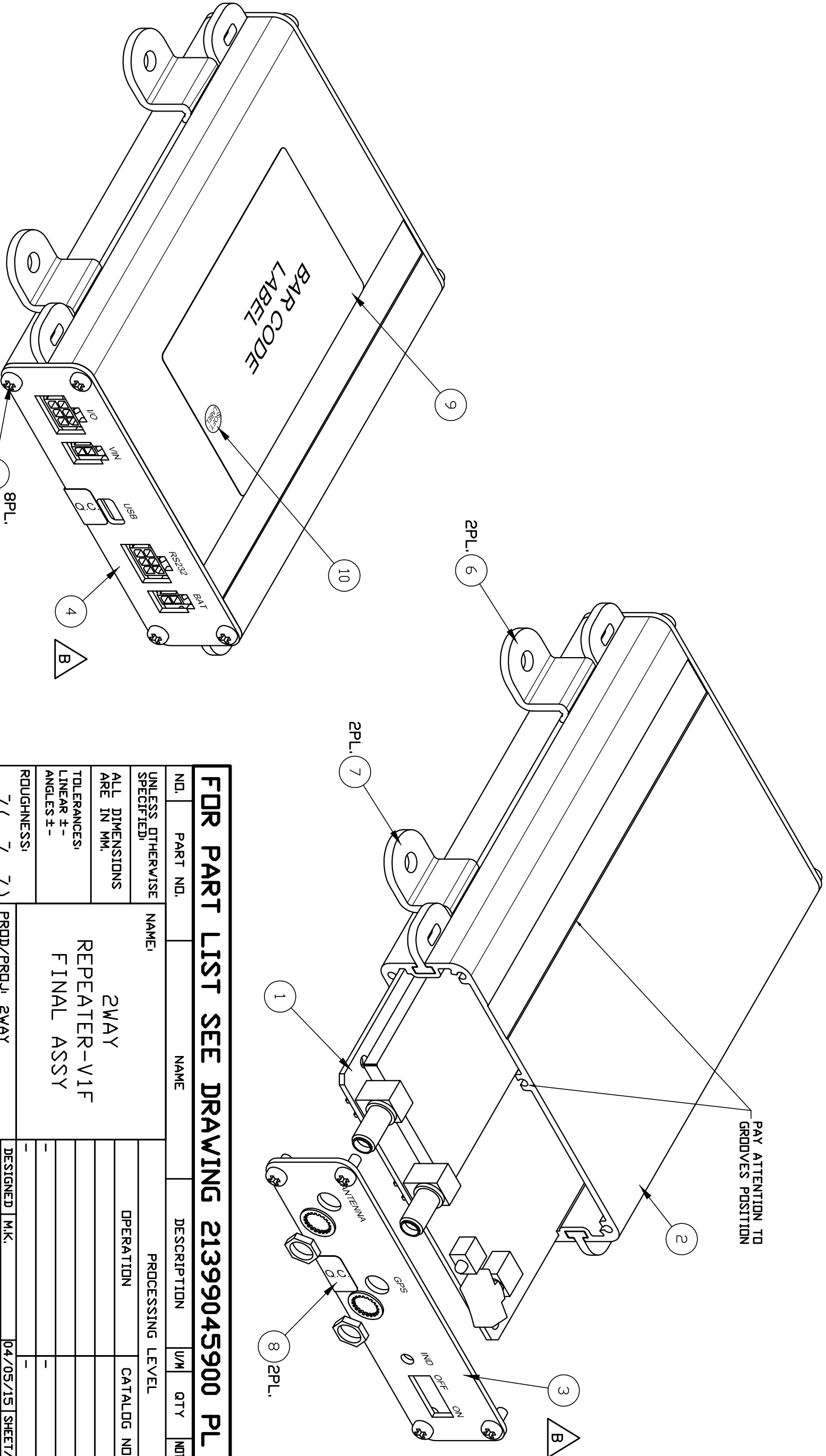


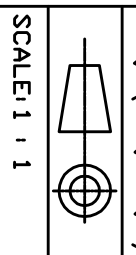
PROPRIETARY INFORMATION
 ALL RIGHTS RESERVED. NO PARTS OF THIS DOCUMENT
 MAY BE REPRODUCED, STORED IN A RETRIEVAL
 SYSTEM, TRANSMITTED IN ANY FORM OR BY
 ANY MEANS, ELECTRONIC MECHANICAL, PHOTOCOPYING,
 RECORDING OR OTHERWISE, WITHOUT THE PRIOR
 WRITTEN PERMISSION OF TELEMATICS WIRELESS LTD,
 NOR USED IN WHOLE OR IN PART FOR ANY PURPOSE, OR
 FOR ANY CUSTOMER EXCEPT TELEMATICS WIRELESS.



REV	DESCRIPTION	CHNGD SHEET	E.C.N	DATE	DRAWN/CHECKED
A			1725	04/05/15	
B	ITEM 3 WAS 2139-40110-00 ITEM 4 WAS 2139-40123-00		1748	14/05/15	M.K. A.S.

FOR PART LIST SEE DRAWING 21399045900 PL

NO.	PART NO.	NAME	DESCRIPTION	U/M	QTY	NOTES
UNLESS OTHERWISE SPECIFIED:						
ALL DIMENSIONS ARE IN MM.						
TOLERANCES: LINEAR ±- ANGLES ±-						
ROUGHNESS: 7 (7 7)						
NAME: 2WAY REPEATER-V1F FINAL ASSY						
PRDD/PRDU: 2WAY						
OPERATION						
PROCESSING LEVEL						
CATALOG NO.						
DESIGNED	M.K.	04/05/15				SHEET/DF
CHECKED	Y.L.	04/05/15				1 / 1
APPROVED	A.S.	04/05/15				
Q.A.	D.D.	04/05/15				
213990459000						SIZE B



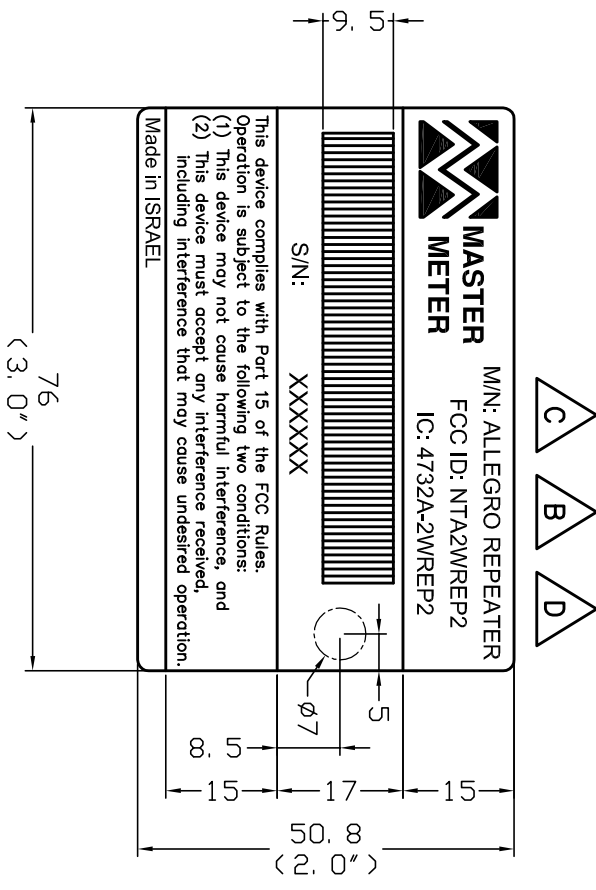
CLASSIFIED

PROPRIETARY INFORMATION
 ALL RIGHTS RESERVED. NO PARTS OF THIS DOCUMENT
 MAY BE REPRODUCED, STORED IN A RETRIEVAL
 SYSTEM, TRANSMITTED IN ANY FORM OR BY ANY
 MEANS, ELECTRONIC, MECHANICAL, PHOTOCOPIING,
 RECORDING OR OTHERWISE, WITHOUT THE PRIOR
 WRITTEN PERMISSION OF TELEMATICS WIRELESS LTD.
 NOR USED IN WHOLE OR IN PART FOR ANY PURPOSE OR
 FOR ANY CUSTOMER EXCEPT TELEMATICS WIRELESS.

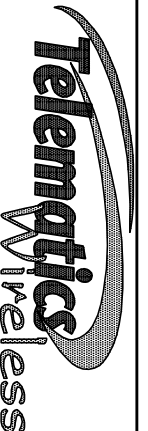
REV	DESCRIPTION	CHNGD SHEET	E. C. N	DATE	DRAWN	CHECKED
A			1725	04/05/15		
B	FCC ID WAS NTA2WREP1 ADDED IC		1904	24/01/16	M. K.	A. S.
C	RECORD 'M/N. 2WAY REPEATER-V1F' WAS '2WAY REPEATER-V1F'		1916	07/02/16	M. K.	A. S.
D	RECORD 'M/N. ALLEGRO REPEATER' WAS 'M/N. 2WAY REPEATER-V1F'		1933	28/02/16	M. K.	A. S.

NOTES:

- MATERIAL: WHITE POLYESTER SELF ADHESIVE FILM.
(SUCH AS 'WP' MADE BY EPC)
- BAR CODING SHALL BE ACCORDING TO CODE 39.
- MARKING: HIGH DURABILITY AND SOLVENT RESISTANCE BLACK MARKING
(USING THERMAL TRANSFER BLACK RIBBON SUCH AS 'RHD' MADE BY EPC).
- THE LABEL MATERIAL SHALL BE CAPABLE OF WITHSTANDING A TEMPERATURE RANGE OF -45°C TO +100°C, AND THE DELETERIOUS EFFECTS CAUSED BY:
 -CONFORMAL COATING (ALL TYPES)
 -SALT SPRAY
- THE ADHESIVE SHALL BE APPROPRIATE FOR AFFIXING THE LABEL TO SURFACES SUCH AS GLASS EPOXY, ALUMINUM, PLASTIC AND ALLOW THE LABEL TO BE REMOVED QUICKLY WITHOUT LEAVING ADHESIVE TRACES ON THE SURFACE.
- THE LABELS WILL BE SUPPLIED ROLLED.
- S/N XXXXXX
- XXXXXX - CONSECUTIVE NUMERICAL NUMBERS.
- THE FOLLOWING INFORMATION WILL BE PROVIDED TO THE MANUFACTURER WITH EACH PURCHASING ORDER:
 -STARTING S/N (FIRST XXXXXX)



NO.	PART NO.	NAME	DESCRIPTION	U/M	QTY	NOTES
		NAME: BAR CODE 2WAY REPEATER-V1F	PROCESSING LEVEL			
		PRDD/PRDU: 2WAY	OPERATION			CATALOG NO.
		UNLESS OTHERWISE SPECIFIED, ALL DIMENSIONS ARE IN MM. TOLERANCES: LINEAR ± - ANGLES ± - ROUGHNESS: √ (√ √ √)				
		SCALE: 1:1				



DESIGNED	M. K.	04/05/15	SHEET/DF
CHECKED	Y. L.	04/05/15	1 / 1
APPROVED	A. S.	04/05/15	
Q. A.	D. D.	04/05/15	
213973846000			SIZE B